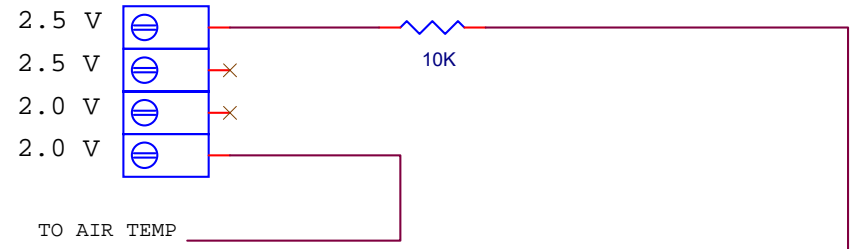
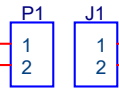


MET ONE DATA LOGGER

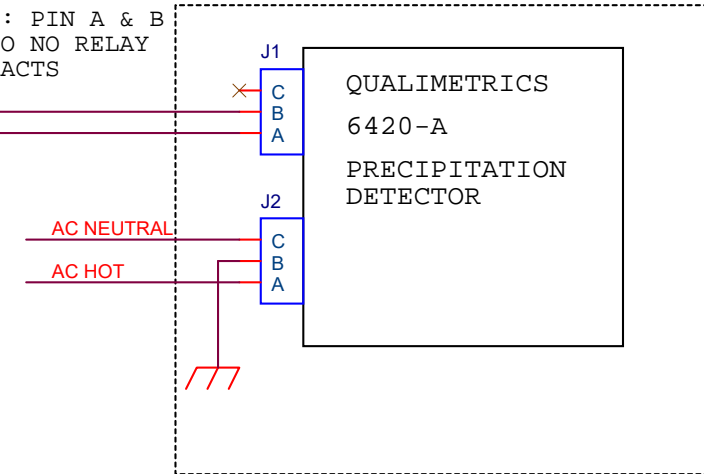
REFERENCE VOLTAGE



SENSOR 6



NOTE: PIN A & B  
GO TO NO RELAY  
CONTACTS



CONNECT RAIN SENSOR RELAY TO ANALOG INPUT ON MET ONE WEATHER STATION - SENSOR 6. IT WILL BE READ AS AN ANALOG INPUT THAT IS EITHER 2.5 VOLTS WHEN THERE IS NO RAIN OR 0 VOLTS WHEN THERE IS.

UNIVERSITY of ARIZONA - STEWARD OBSERVATORY		
KITT PEAK SUPERLOTIS TELESCOPE		
Title RAINS SENSOR to MET ONE WEATHER STATION		
Size B	Document Number <Doc>	Rev A
Date:	Monday, April 03, 2017	Sheet 1 of 1