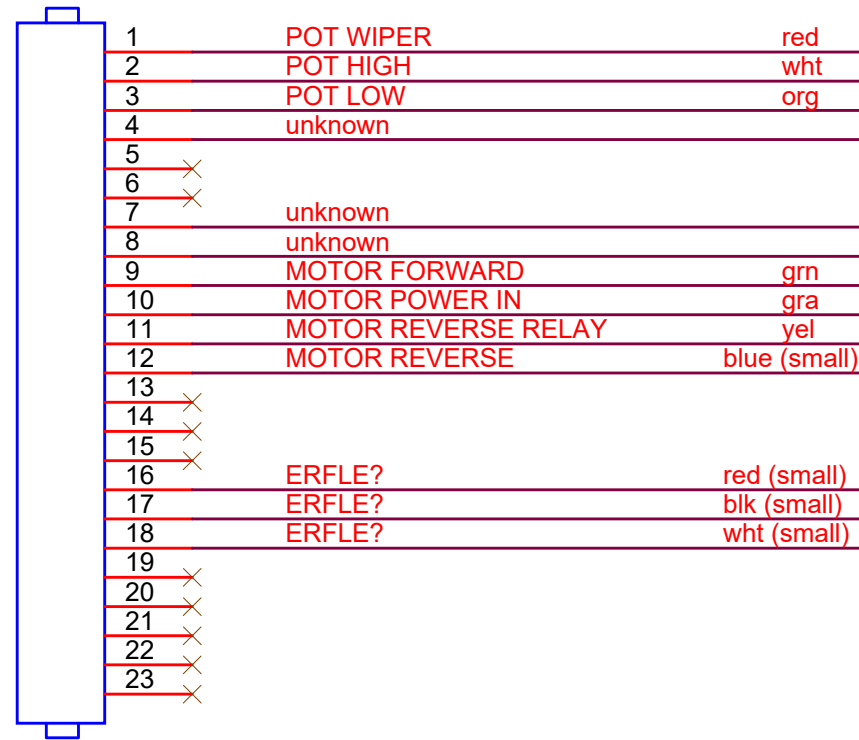


IS ROTATOR



IIS SPEED POT

UNKNOWN SIGNALS PROBABLY TO CONSOLE
TERMINAL BLOCK 29,30,31

IIS MOTOR
CONTROL

SHORT CABLE TO BASE OF TELESCOPE

"G" CONNECTOR

THIS IS THE "G" CONNECTOR ON THE BACK OF
THE IIS ROTATOR AT THE BASE OF THE
TELESCOPE. A SHORT CABLE CONNECTS TO THE
"G" CONNECTOR SOCKET THAT GOES TO THE
CONTROL ROOM CONSOLE TERMIONAL BLOCK.

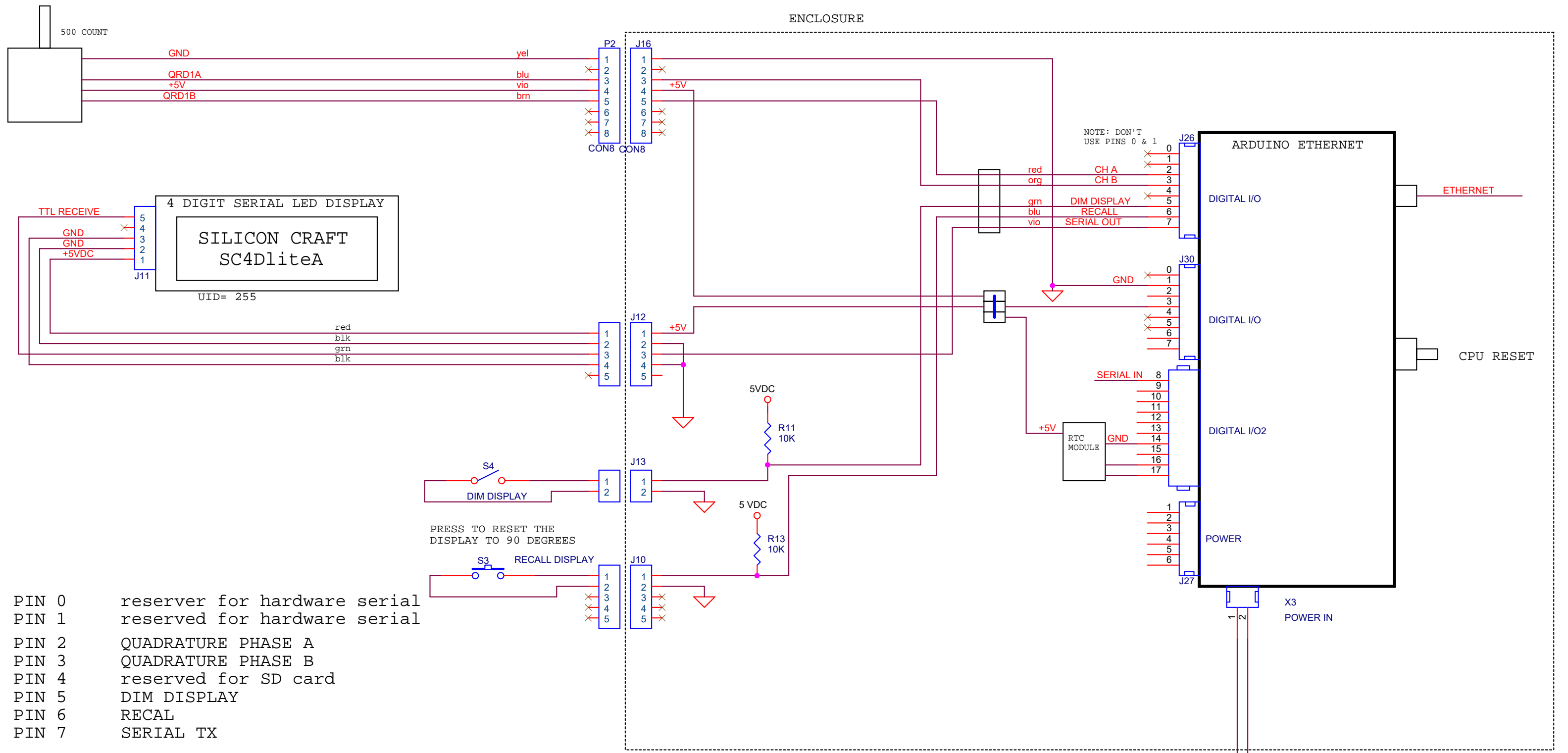
STEWARD OBSERVATORY
KITT PEAK 90" TELESCOPE

Title
IIS ROTATOR "G" CONNECTOR

Size
A Document Number
21456

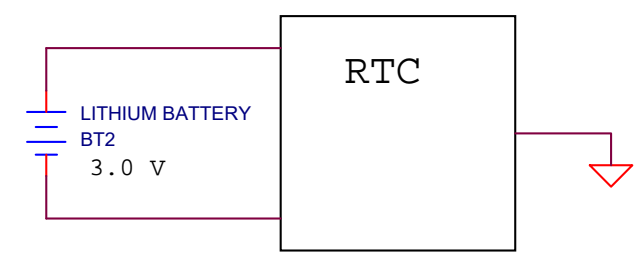
Rev
A

Date: Thursday, May 25, 2017 Sheet 2 of 9



- PIN 0 reserver for hardware serial
- PIN 1 reserved for hardware serial
- PIN 2 QUADRATURE PHASE A
- PIN 3 QUADRATURE PHASE B
- PIN 4 reserved for SD card
- PIN 5 DIM DISPLAY
- PIN 6 RECAL
- PIN 7 SERIAL TX

- PIN 8 SERIAL RX
- PIN 9 reserved fo ron-board LED
- PIN 10 reserved for Ethernet
- PIN 11 reserved for Ethernet
- PIN 12 reserved for Ethernet
- PIN 13 reserved for Ethernet
- PIN 14 GND
- PIN 15 AREF
- PIN 16 SDA (NVRAM)
- PIN 17 SCL (NVRAM)



STEWART OBSERVATORY		
KITTE PEAK 90" TELESCOPE		
Title IIS POSITION ENCODER with SC4D DISPLAY		
Size B	Document Number	Rev A
Date:	Thursday, May 25, 2017	Sheet 5 of 9

REMOTE
PADDLE

REMOTE
PADDLE
CONTROLLER
(IN OPERATORS CONSOLE)

CW LIMIT SWITCH

CCW LIMIT SWITCH

"G" CONNECTOR

TO REMOTE
PADDLE

ETHERNET JACK

POSITION
DISPLAY

0-270 DEGREES

120 VAC

DAYTON
MOTOR
CONTROLLER

CONTROL
RELAYS

IIS
ROTATOR
MOTOR

POSITION
ENCODER

STEWARD OBSERVATORY
KITTE PEAK 90" TELESCOPE

Title
IIS ROTATOR BLOCK DIAGRAM

Size
A

Document Number
21456

Rev
A

Date: Thursday, May 25, 2017

Sheet 6 of 9

4

4

3

3

2

2

1

1

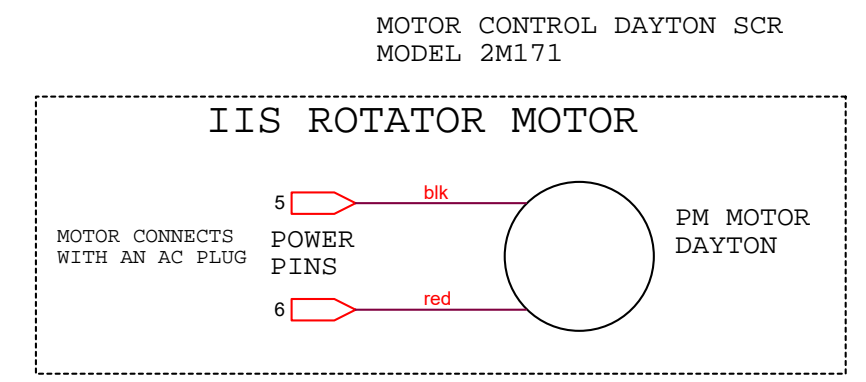
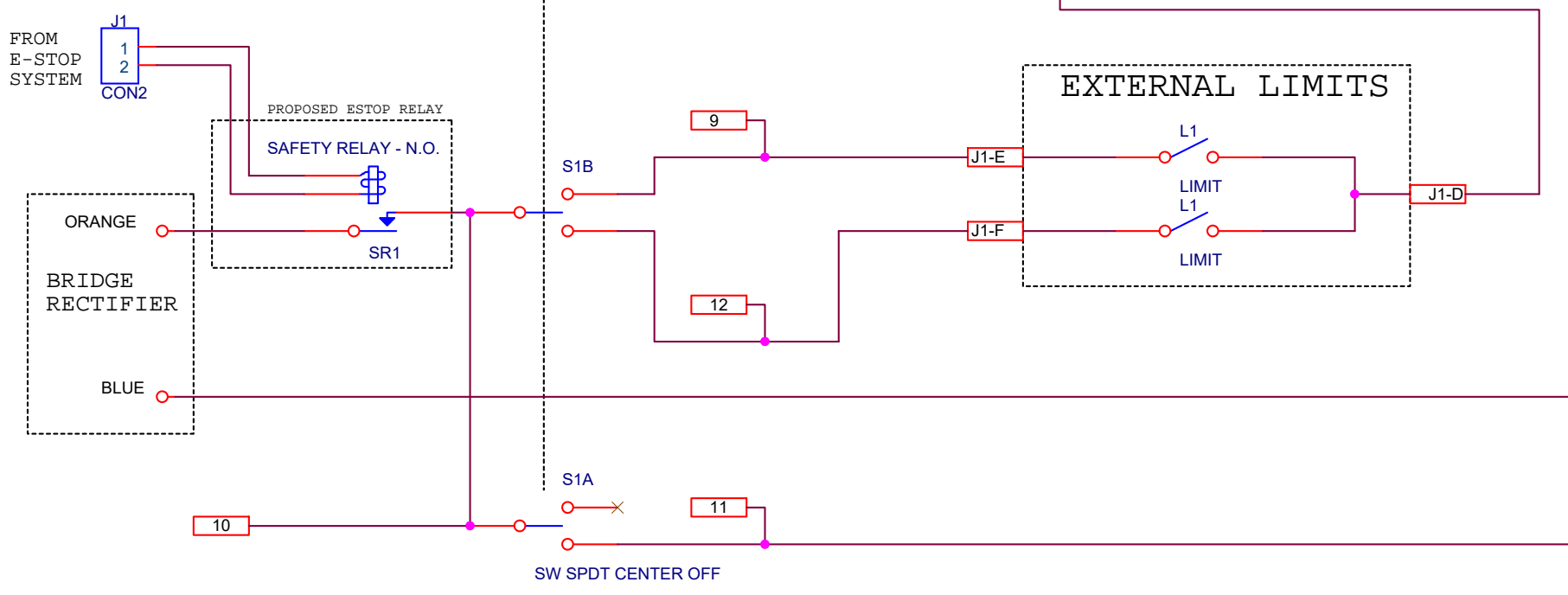
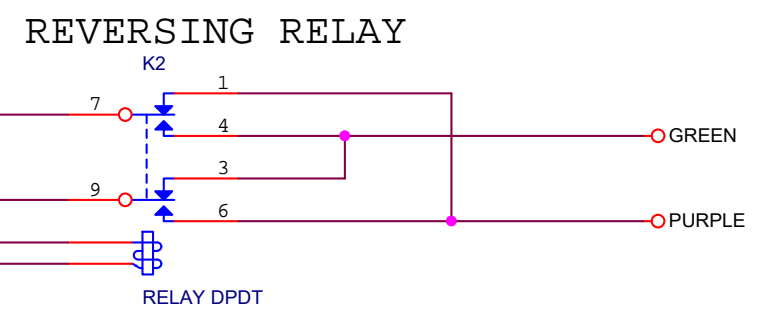
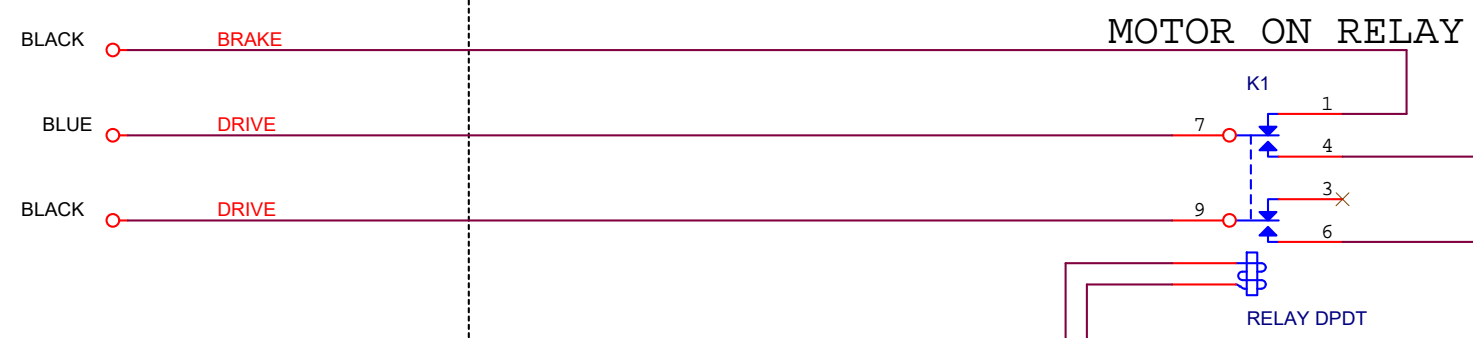
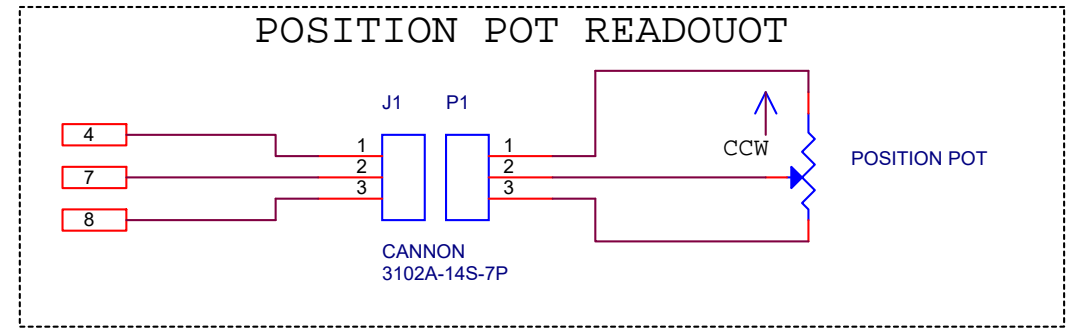
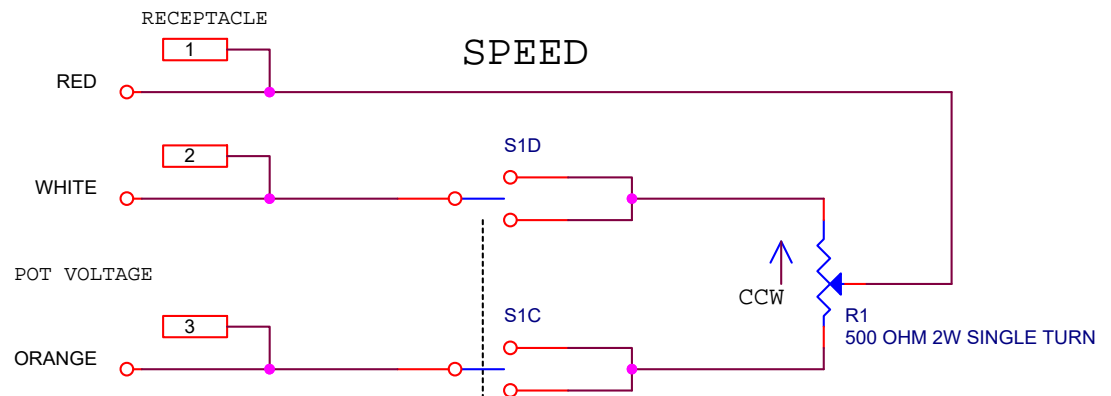
A

B

C

D

E

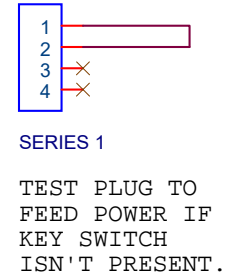
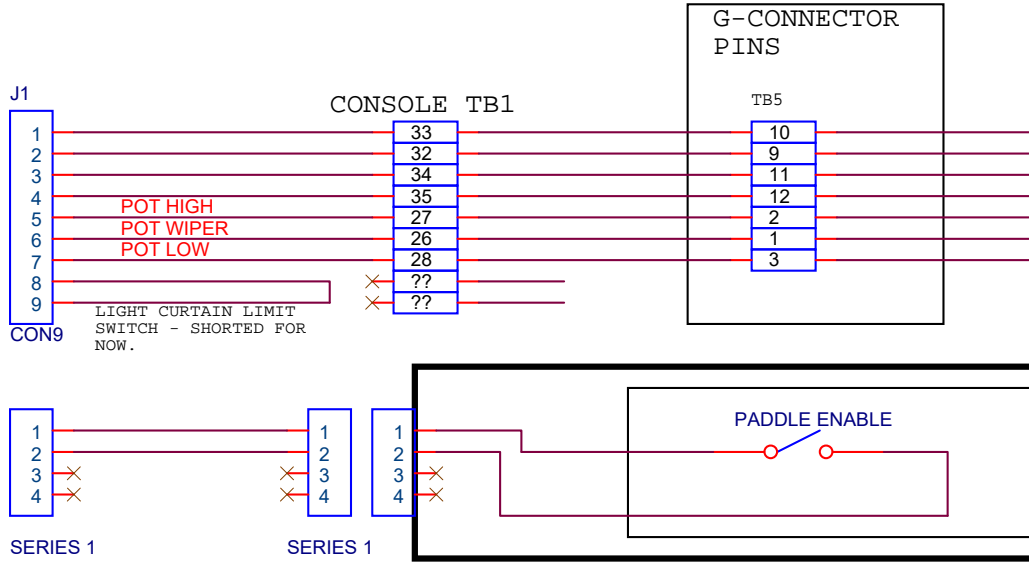
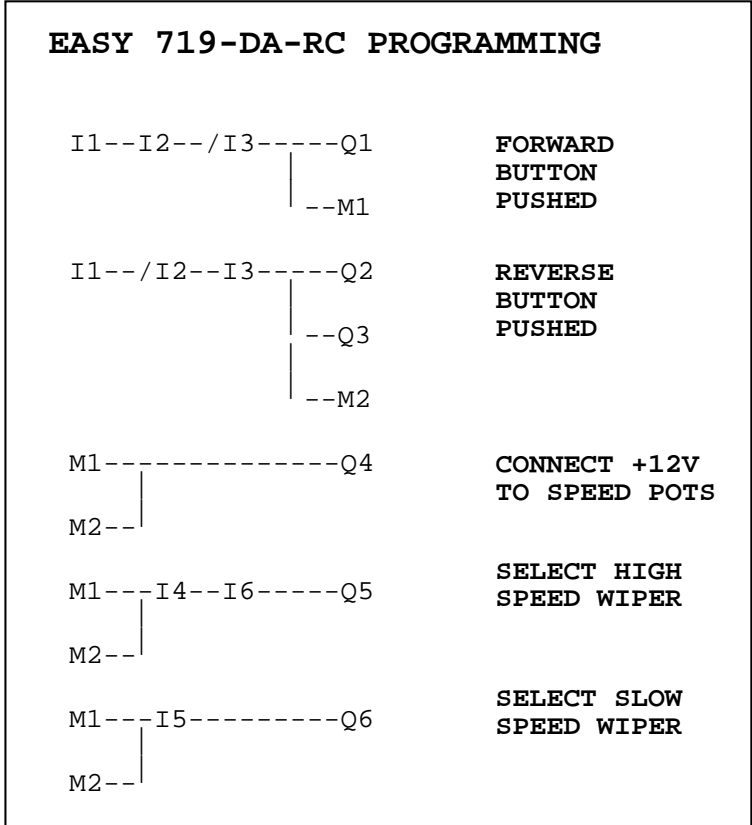
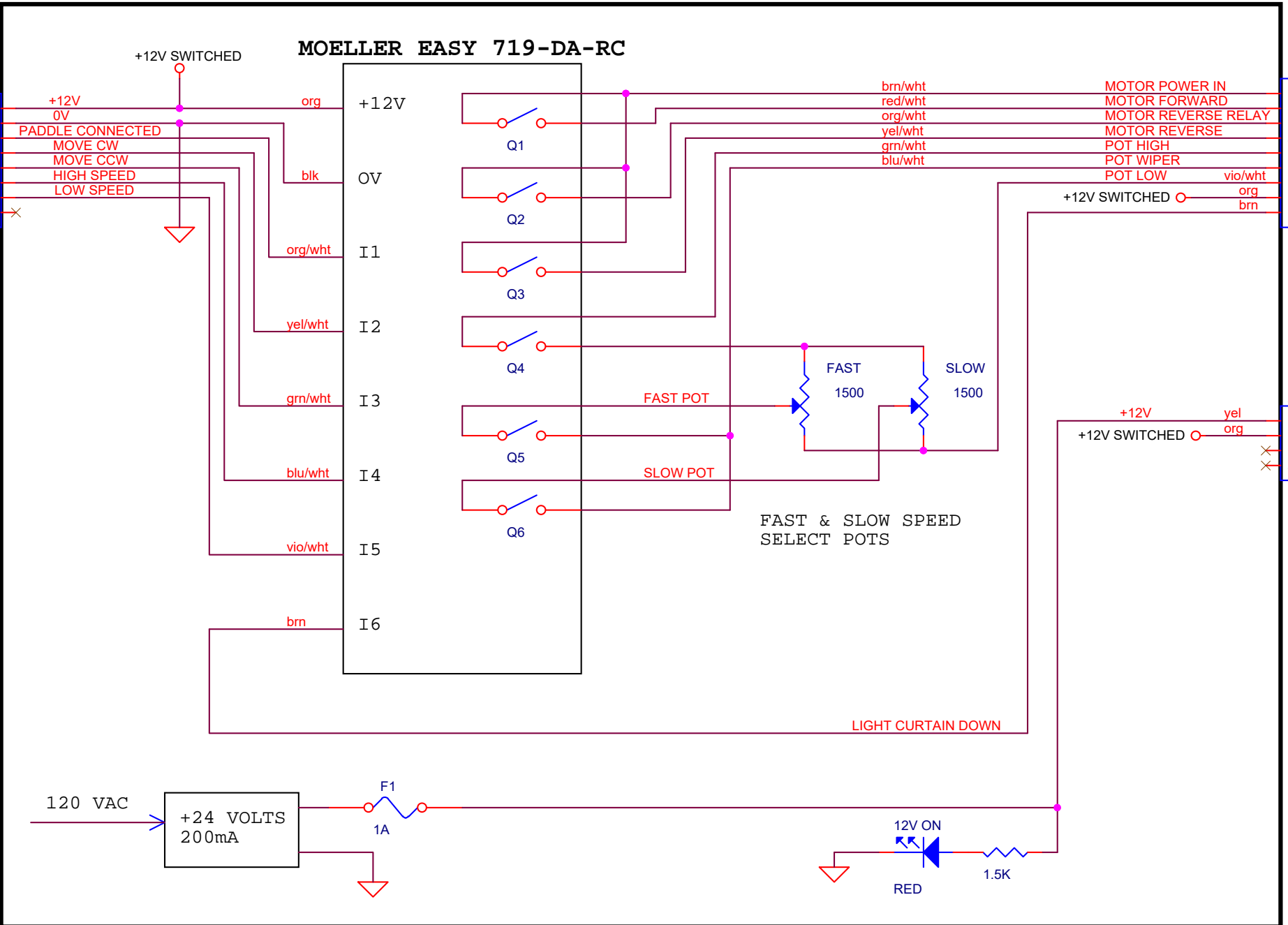
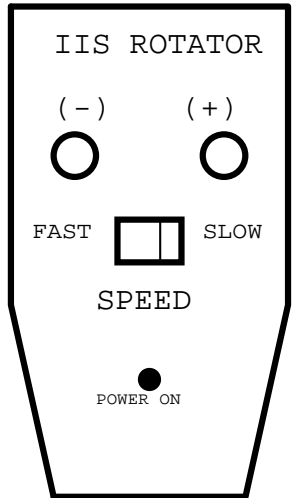
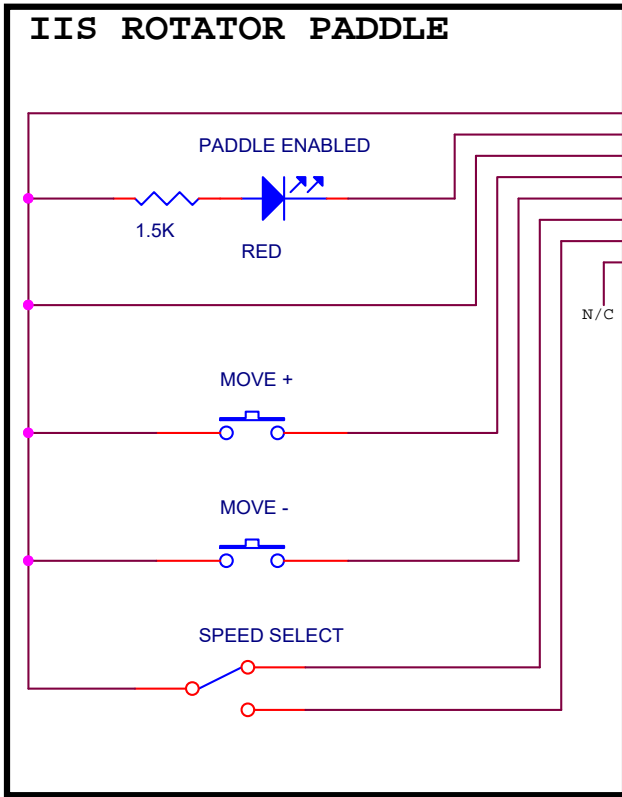


K1 & K2 - POTTER BRUMFIELD
KUP 11D55 DPDT 10A 110 VDC

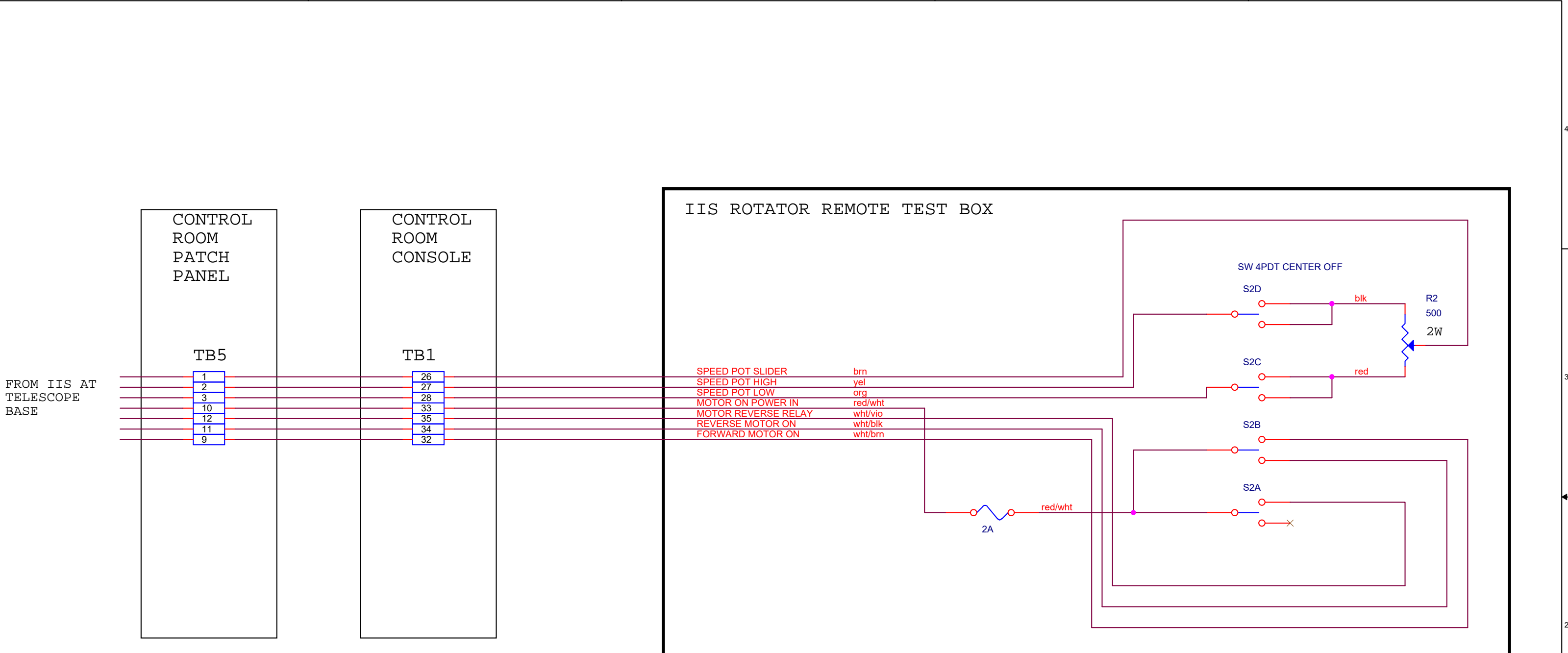
X - "G" - CONNECTOR PINS
14 POSITION BLOCK
TO REMOTE PADDLE

STEWART OBSERVATORY KITTE PEAK 90" TELESCOPE		
Title IIS ROTATOR MOTOR CONTROL		
Size B	Document Number 21456	Rev A
Date:	Thursday, May 25, 2017	Sheet 7 of 9

FIRST DRAWN BY CHUCK LIPSCOMB 8/1/78



STEWART OBSERVATORY		
90 INCH TELESCOPE		
Title IIS ROTATOR REMOTE PADDLE USING CONTROLLER		
Size B	Document Number 21456	Rev A
Date:	Thursday, May 25, 2017	Sheet 8 of 9



CORRECT OPERATION VERIFIED 8/21/08

STEWART OBSERVATORY		
90 INCH TELESCOPE		
Title		
IIS ROTATOR REMOTE TEST BOX		
Size	Document Number	Rev
B	21456	A
Date:	Thursday, May 25, 2017	Sheet 9 of 9