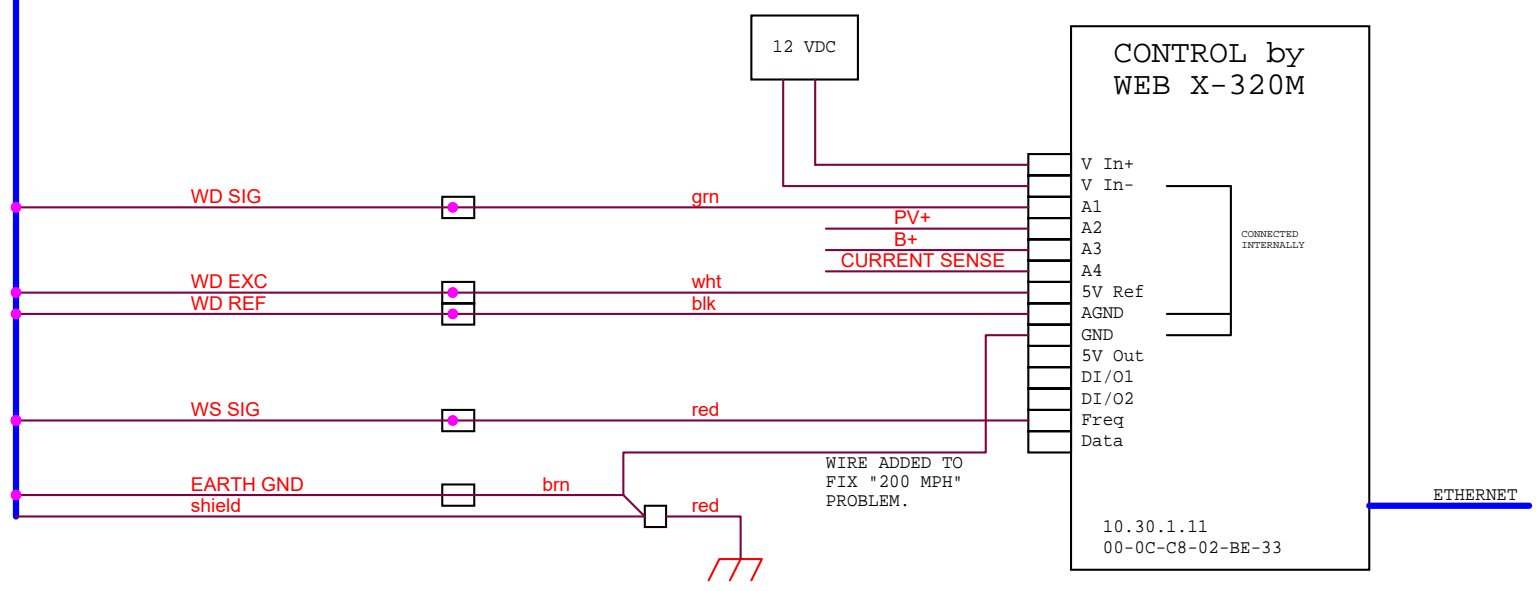
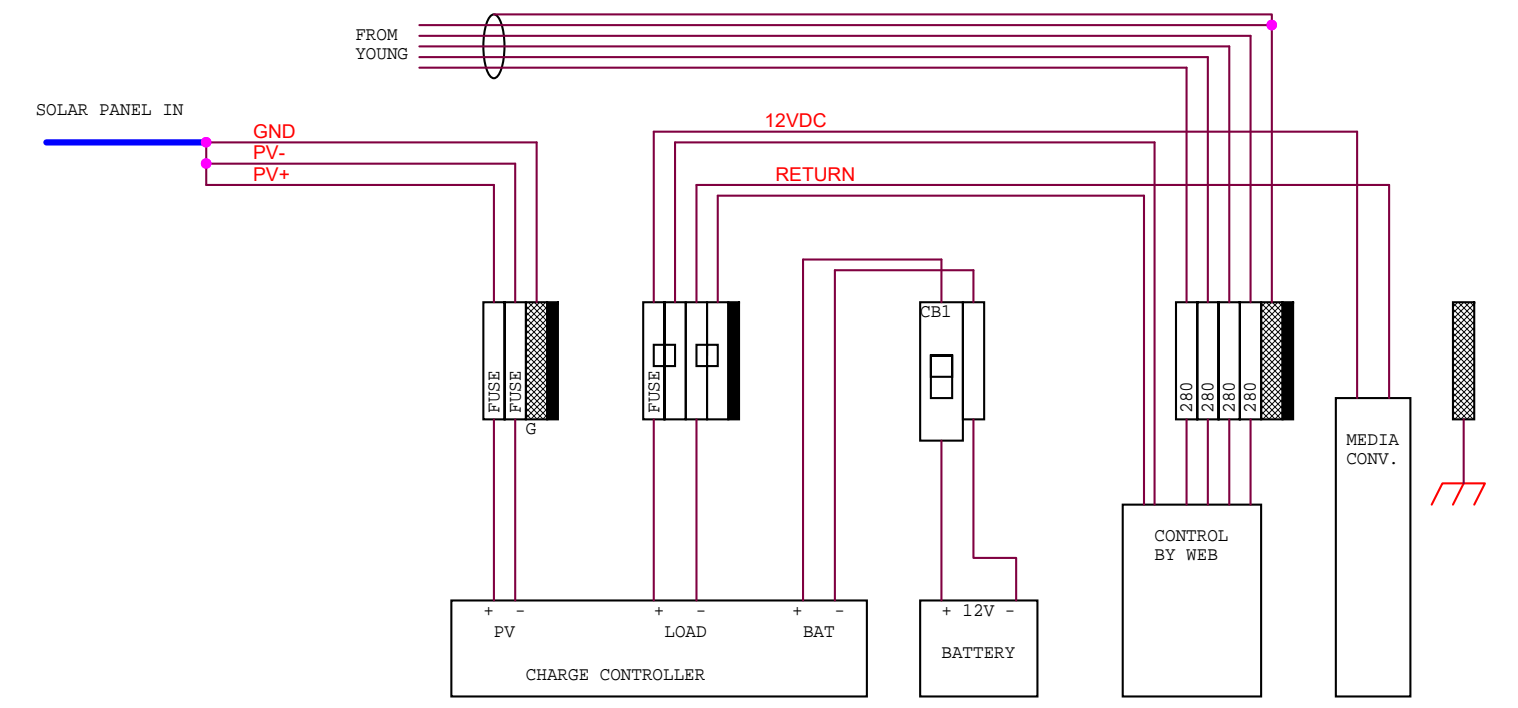


WIND SPEED & DIRECTION SENSOR
YOUNG 05103

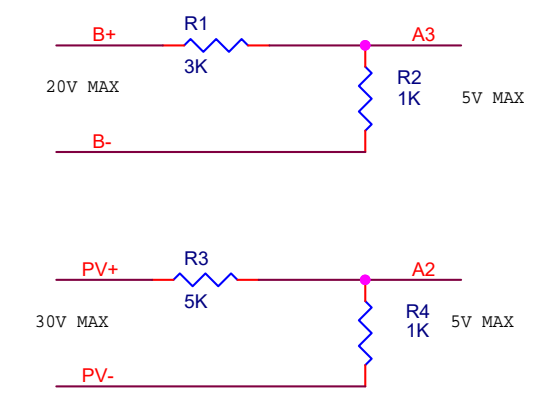
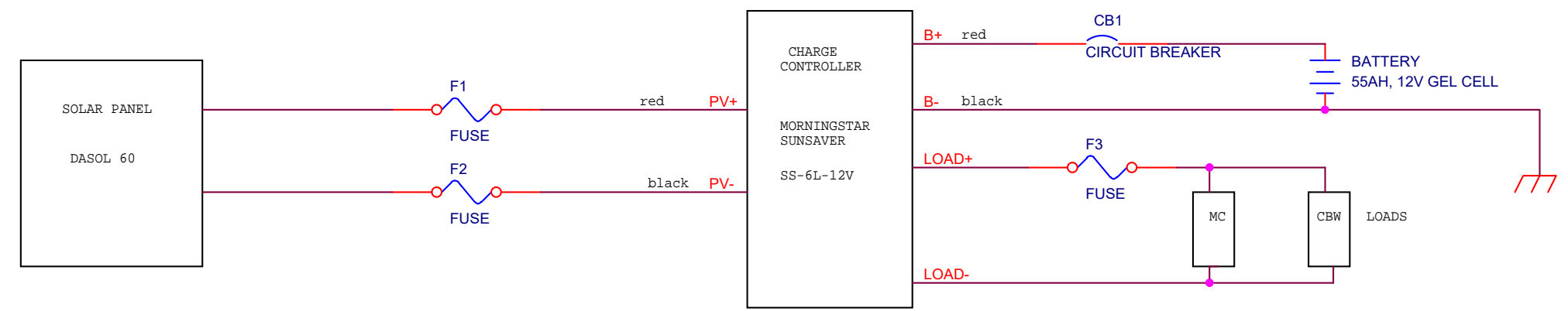
CONTROL by WEB WIRING



WIRING LAYOUT

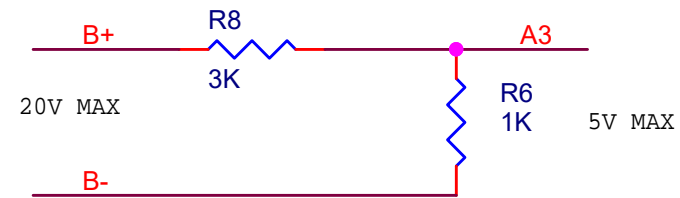


SOLAR POWER SUPPLY



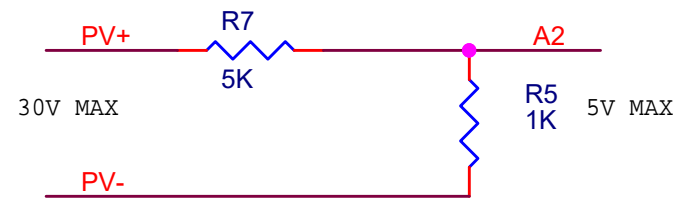
90" TELESCOPE		
Title WEATHER SENSOR & SOLAR POWER SUPPLY		
Size B	Document Number <Doc>	Rev A
Date: Tuesday, May 30, 2017	Sheet 1	of 1

FROM BATTERY



TO CBW ANALOG INPUTS

FROM SOLAR CELL



NOTE: PROPOSE RESISTOR DIVIDER TO ALLOW the CONTROL by WEB TO MONITOR THE BATTERY AND PV CELL VOLTAGE.

Title		
RESISTOR DRIVER		
Size A	Document Number <Doc>	Rev a
Date:	Tuesday, May 30, 2017	Sheet 1 of 1