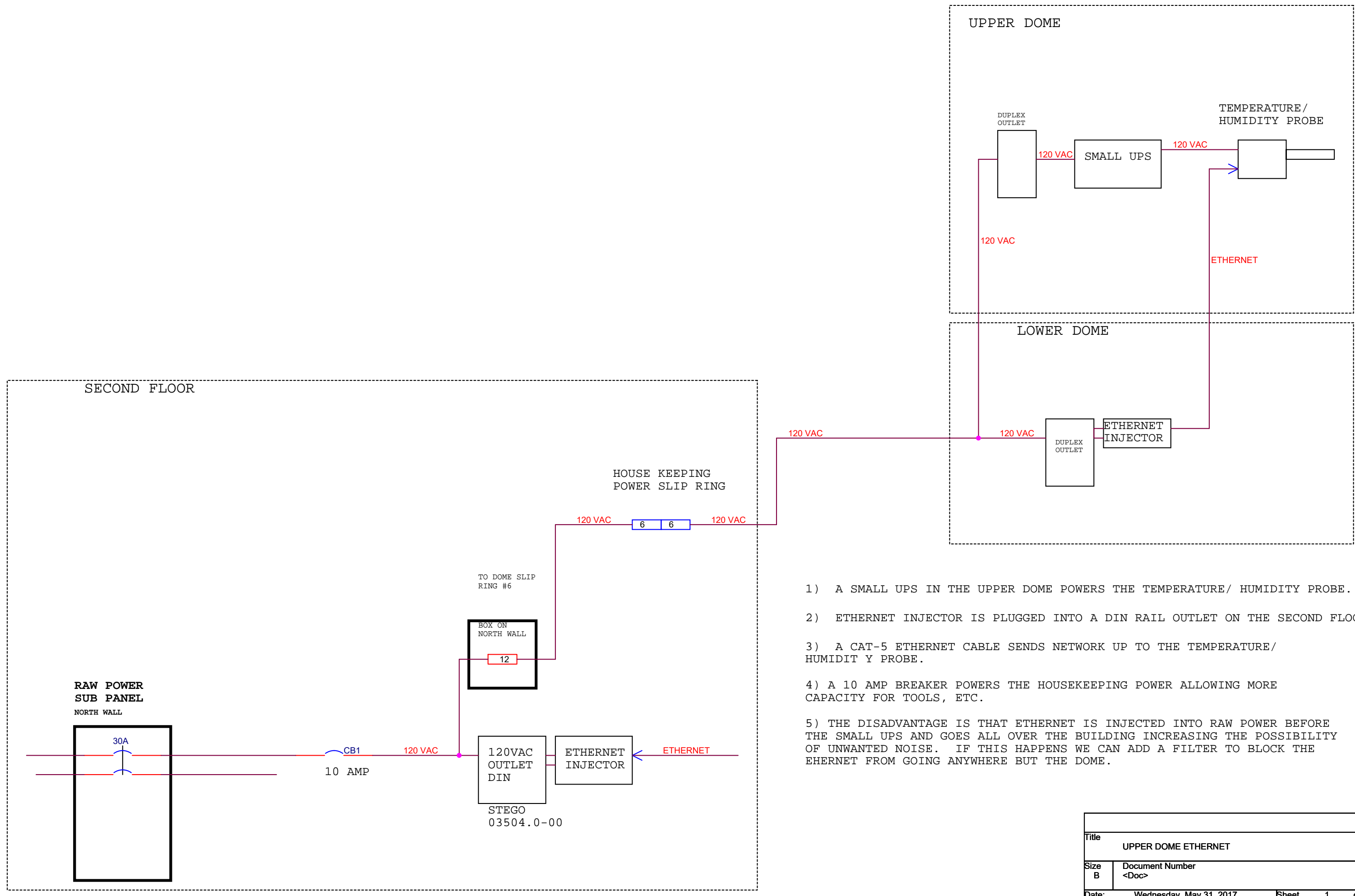
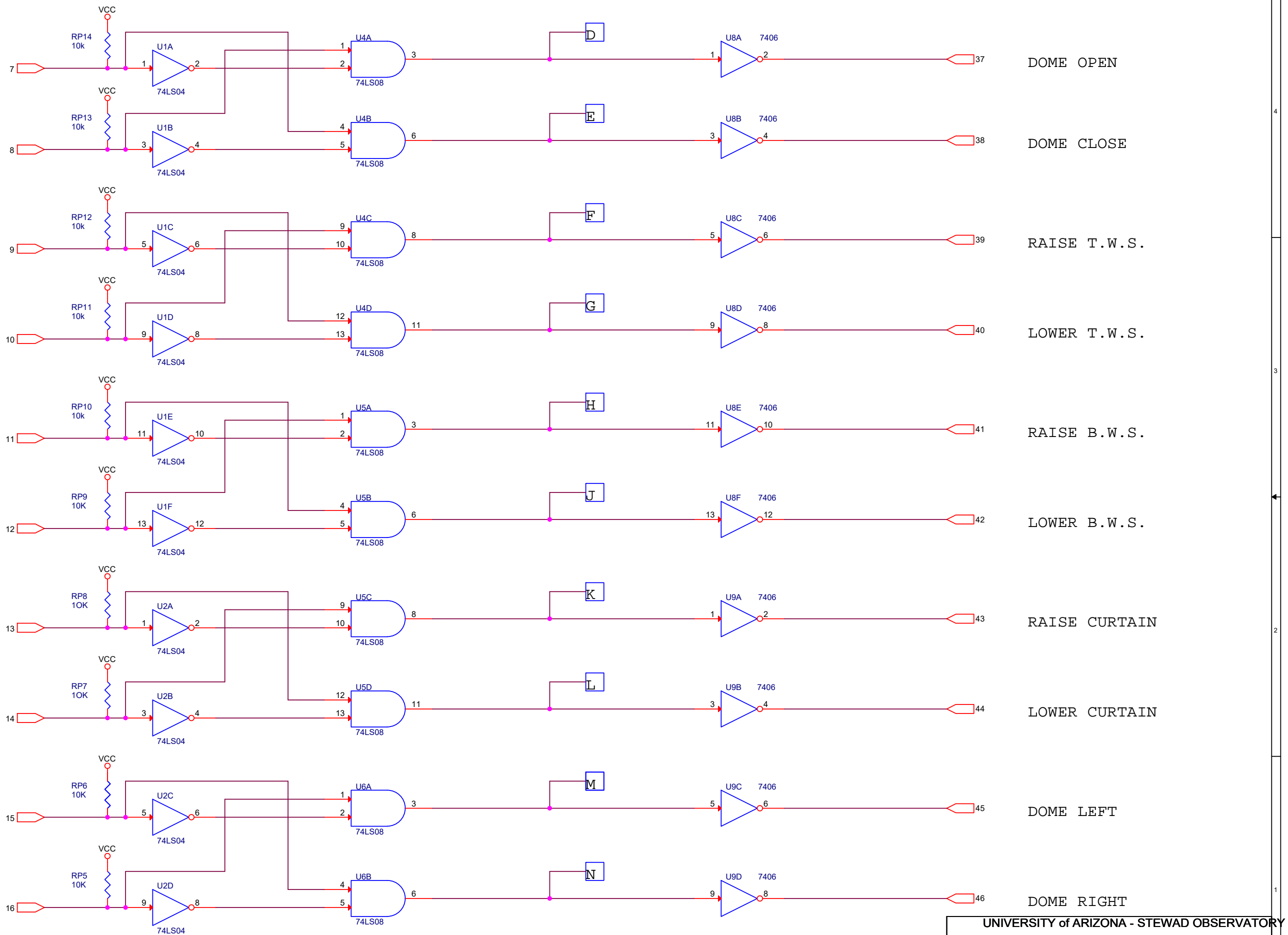


UNIVERSITY of ARIZONA - STEWAD OBSERVATORY		
KITT PEAK - 90" TELESCOPE		
Title DOME SUBSYSTEMS & SLIP RINGS		
Size B	Document Number	Rev A
Date:	Wednesday, May 31, 2017	Sheet 1 of 5



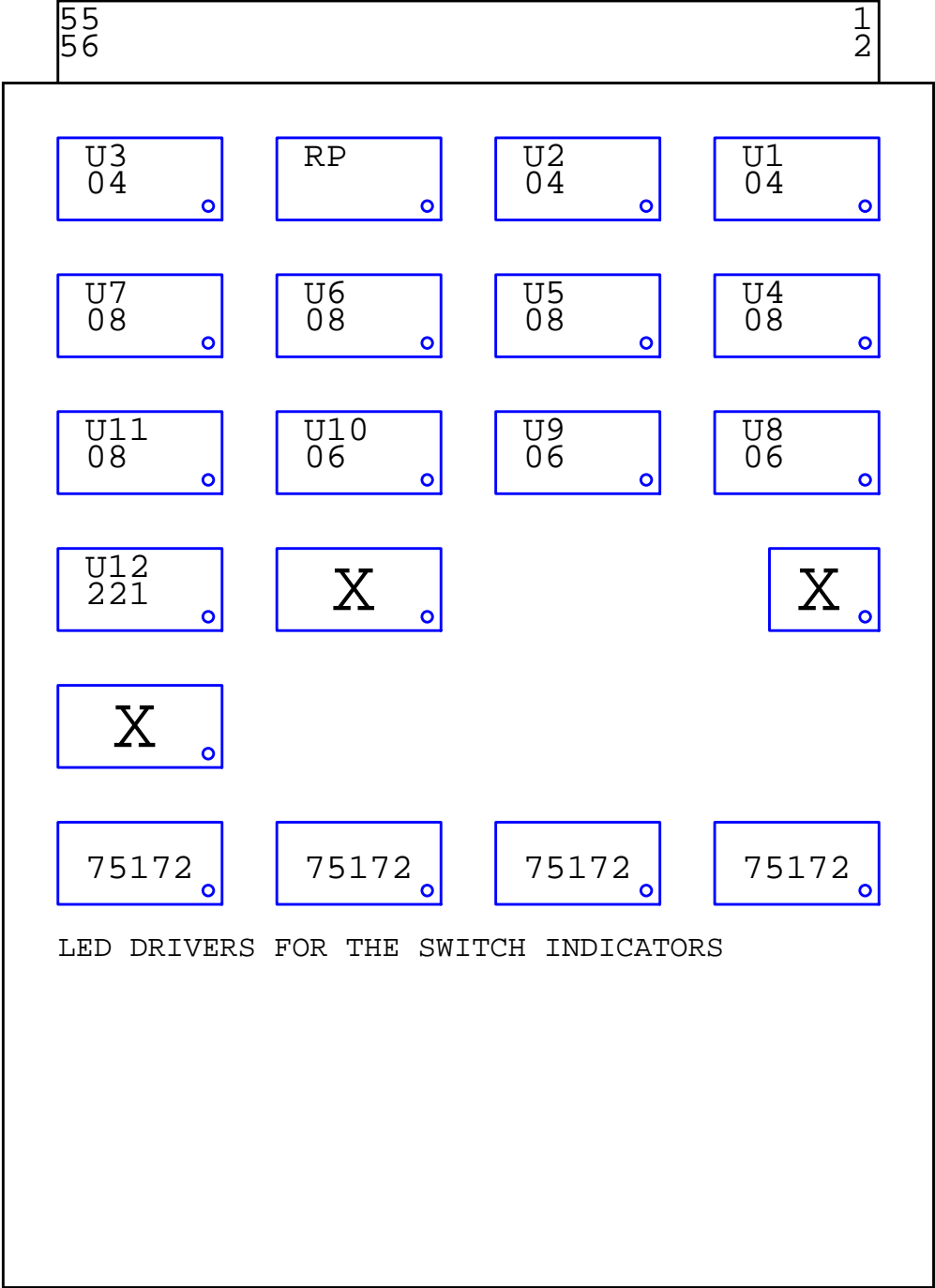
- 1) A SMALL UPS IN THE UPPER DOME POWERS THE TEMPERATURE/ HUMIDITY PROBE.
- 2) ETHERNET INJECTOR IS PLUGGED INTO A DIN RAIL OUTLET ON THE SECOND FLOOR.
- 3) A CAT-5 ETHERNET CABLE SENDS NETWORK UP TO THE TEMPERATURE/ HUMIDIT Y PROBE.
- 4) A 10 AMP BREAKER POWERS THE HOUSEKEEPING POWER ALLOWING MORE CAPACITY FOR TOOLS, ETC.
- 5) THE DISADVANTAGE IS THAT ETHERNET IS INJECTED INTO RAW POWER BEFORE THE SMALL UPS AND GOES ALL OVER THE BUILDING INCREASING THE POSSIBILITY OF UNWANTED NOISE. IF THIS HAPPENS WE CAN ADD A FILTER TO BLOCK THE EHERNET FROM GOING ANYWHERE BUT THE DOME.

Title		
UPPER DOME ETHERNET		
Size	Document Number	Rev
B	<Doc>	A
Date:	Wednesday, May 31, 2017	Sheet 1 of 1



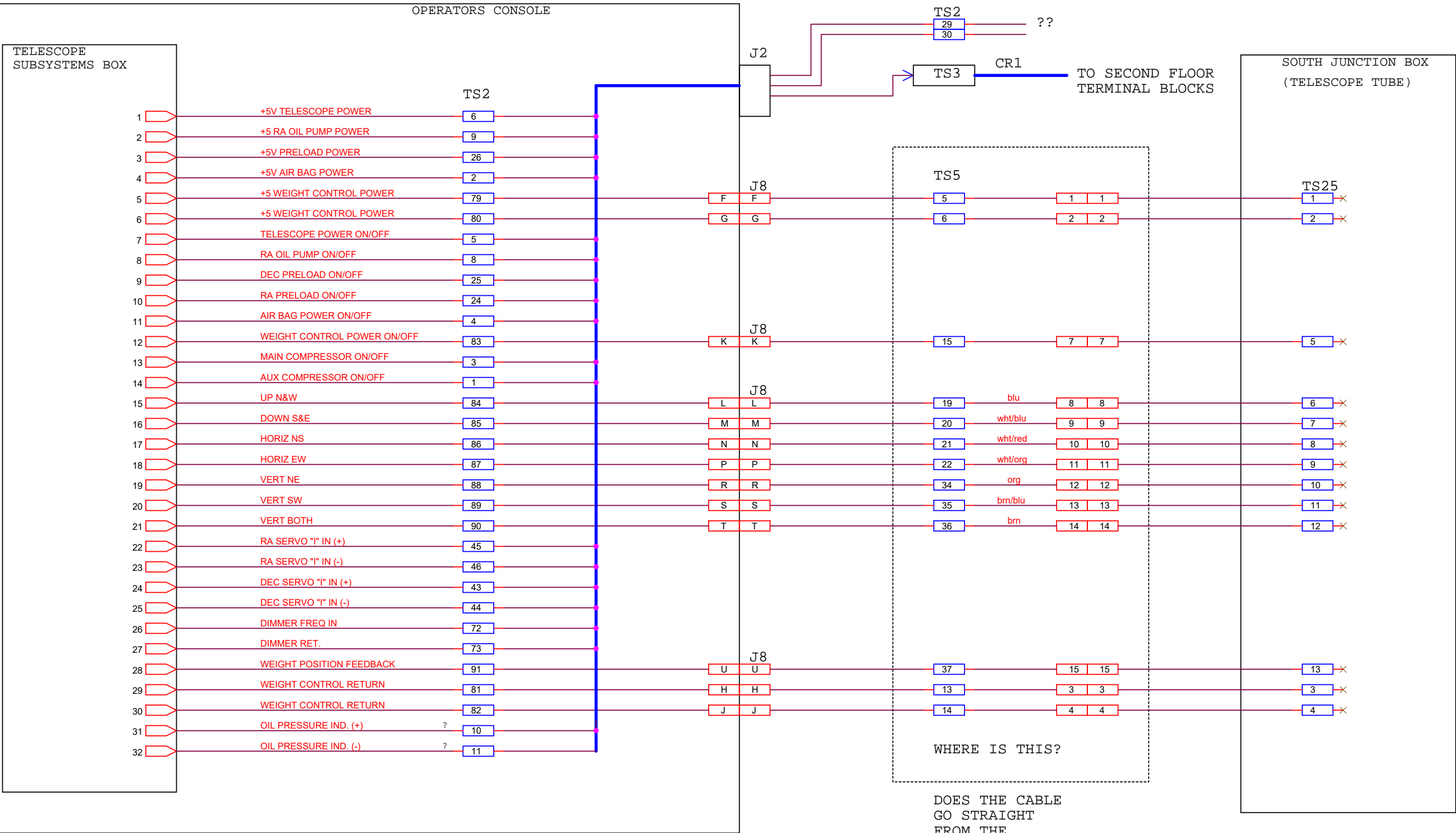
LOCATED IN THE TELESCOPE SUBSYSTEMS BOX IN THE CONSOLE

UNIVERSITY of ARIZONA - STEWAD OBSERVATORY		
KITT PEAK - 90" TELESCOPE		
Title SUBSYSTEMS CONTROL CARD		
Size Custom	Document Number	Rev A
Date: Wednesday, May 31, 2017	Sheet 2	of 5



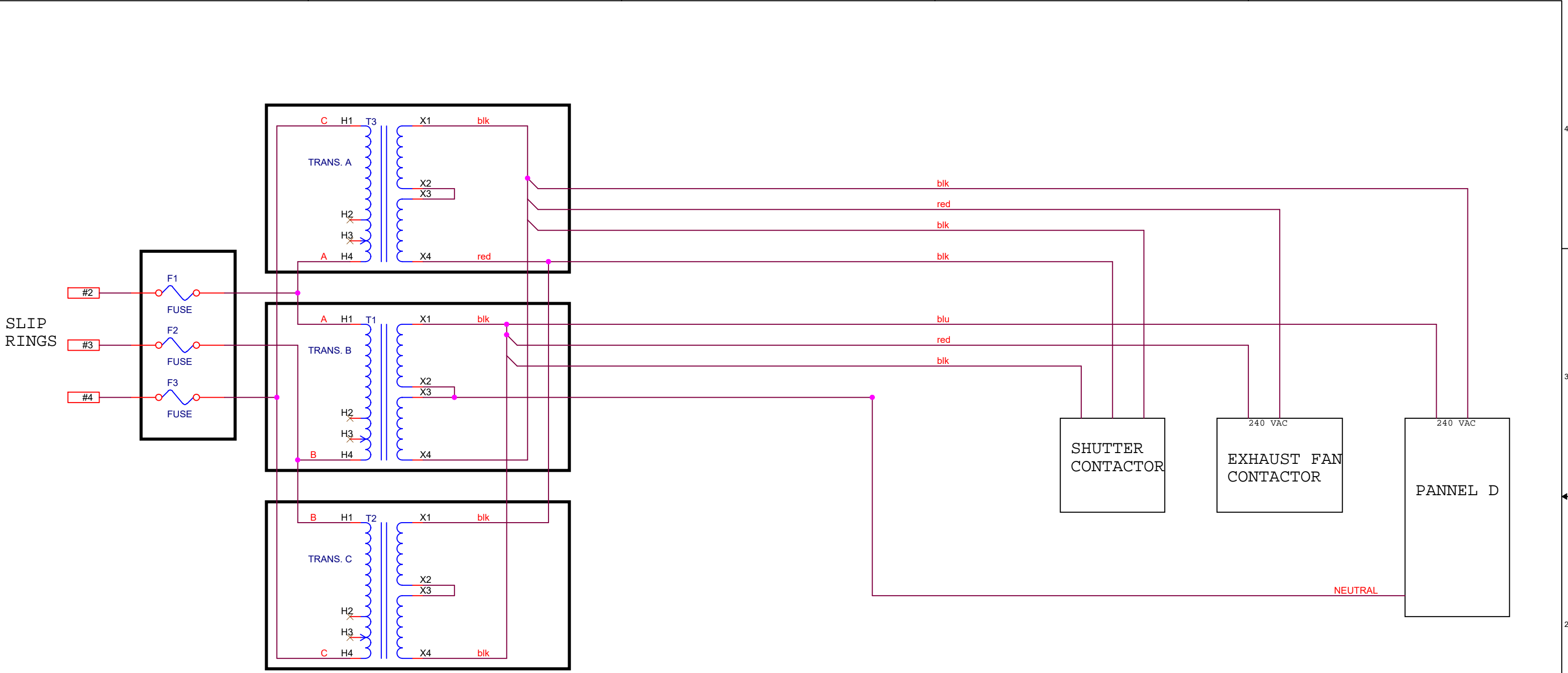
LOCATED IN THE TELESCOPE
SUBSYSTEMS BOX IN THE CONSOLE

STEWARD OBSERVATORY		
KITT PEAK 90" TELESCOPE		
Title		
TELESCOPE SUBSYSTEMS BOARD LAYOUT		
Size	Document Number	Rev
A		A
Date:	Wednesday, May 31, 2017	Sheet 3 of 5



THIS DRAWING NEEDS CHECKING

STEWART OBSERVATORY		
KIT PEAK 90" TELESCOPE		
Title TELESCOPE SUBSYSTEMS - EXTERNAL WIRING		
Size B	Document Number	Rev A
Date: Wednesday, May 31, 2017	Sheet 4 of 5	



THREE LARGE TRANSFORMERS
LOCATED ON THE DOME.

STEWARD OBSERVATORY KIT PEAK 90" TELESCOPE			
Title UPPER DOME POWER			
Size B	Document Number		Rev A
Date:	Wednesday, May 31, 2017	Sheet	5 of 5