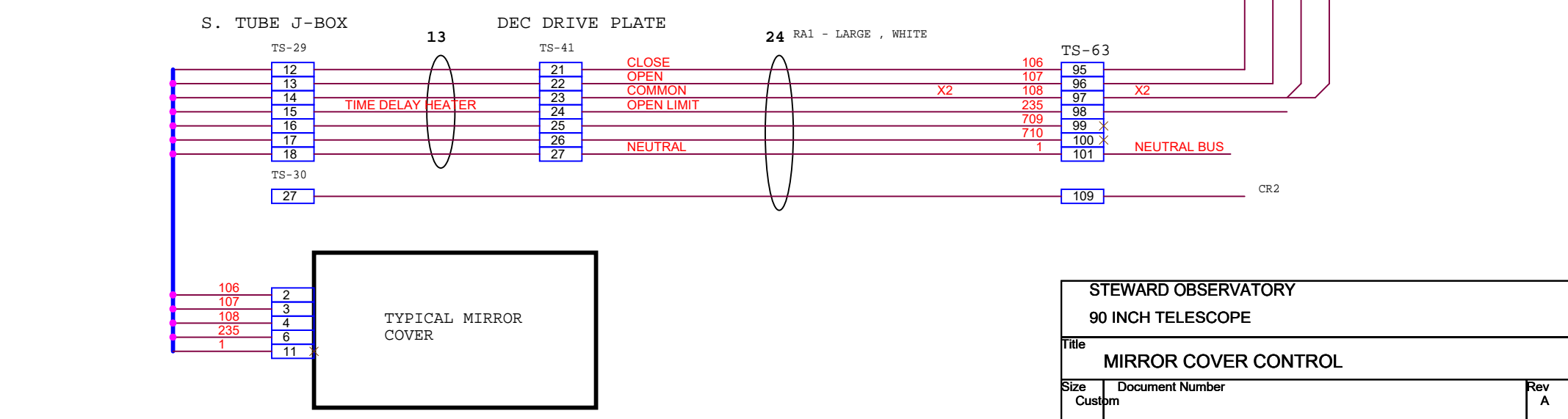
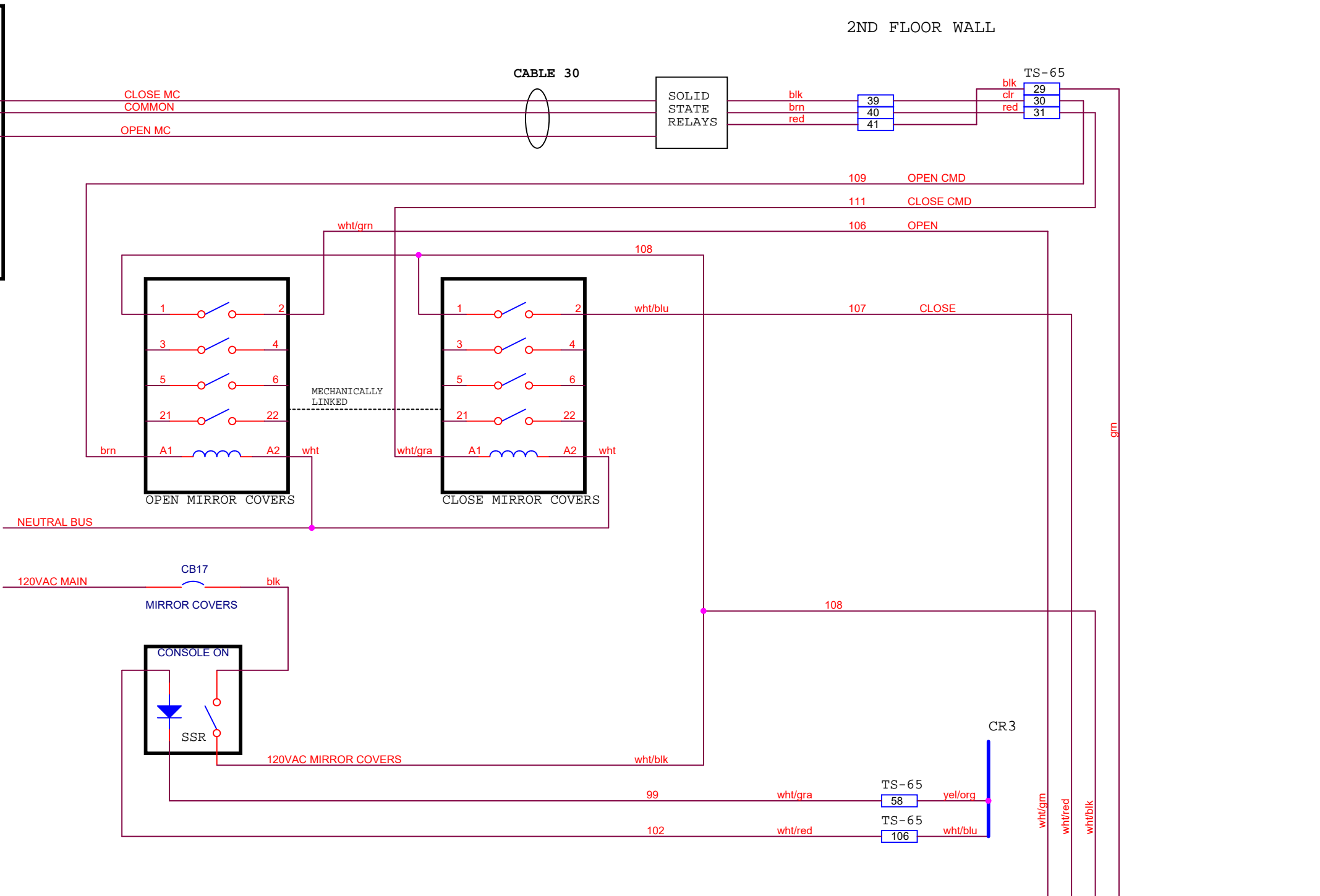
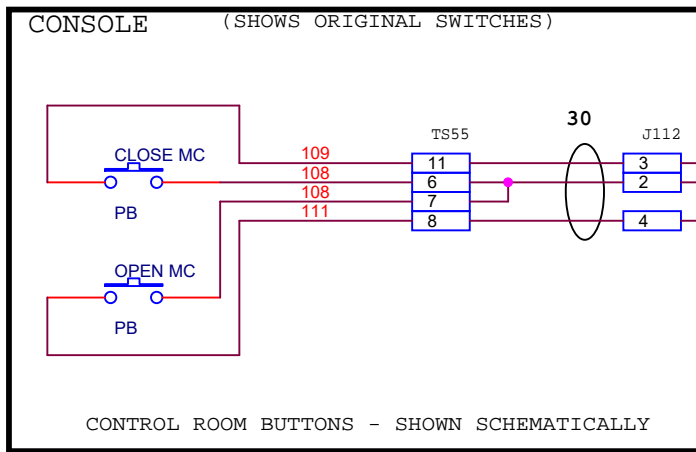


CAUTION: DRAWING IS INCOMPLETE

NOTE: THIS IS A PORTION OF THE EXISTING MIRROR COVER MOTOR REVERSING CIRCUITRY. IT WAS REDRAWN FROM THE ORIGINAL B&C MANUAL THAT CAME WITH THE TELESCOPE. IT WILL BE COMPLETED WHEN TIME ALLOWS.

| | | |
|----------------------------|-----------------------|--------------|
| Title | | |
| MIRROR COVER MOTOR CIRCUIT | | |
| Size | Document Number | Rev |
| B | <Doc> | A |
| Date: | Tuesday, May 30, 2017 | Sheet 1 of 1 |



| | | |
|--------------------------------------|-----------------|----------|
| STEWART OBSERVATORY | | |
| 90 INCH TELESCOPE | | |
| Title MIRROR COVER CONTROL | | |
| Size Custom | Document Number | Rev A |
| Date: Tuesday, May 30, 2017 | Sheet 2 of 8 | |