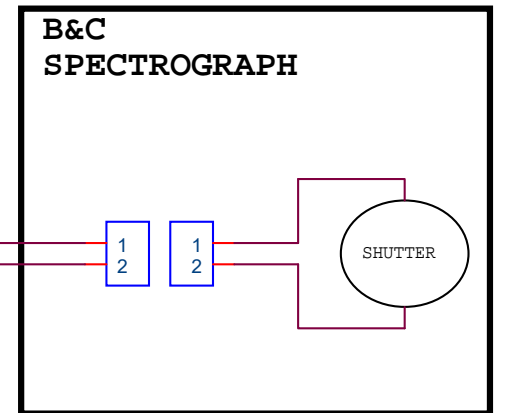
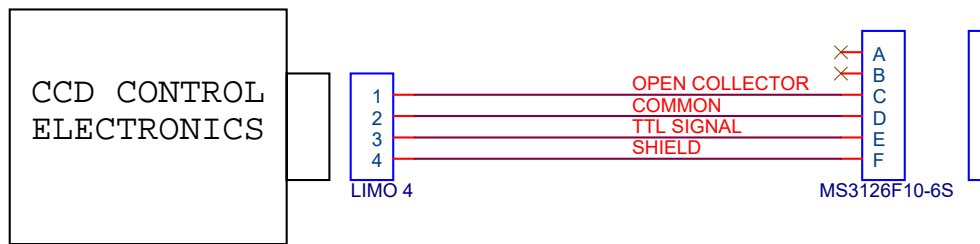
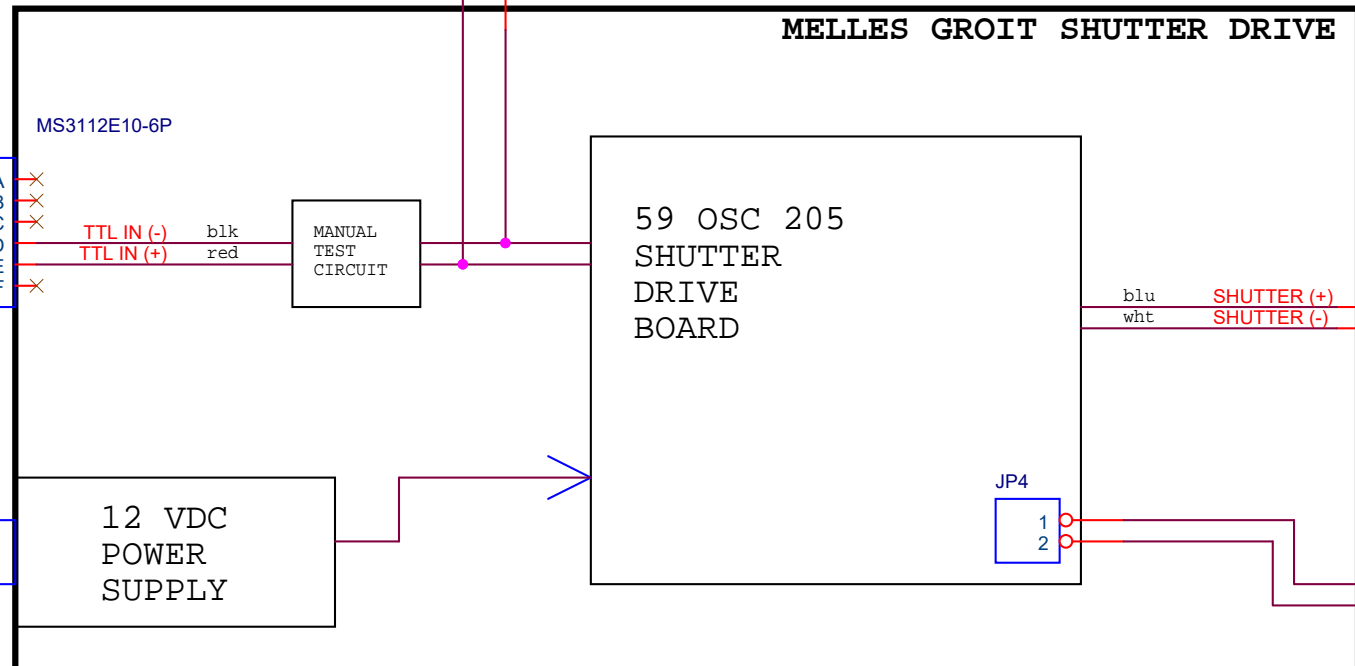
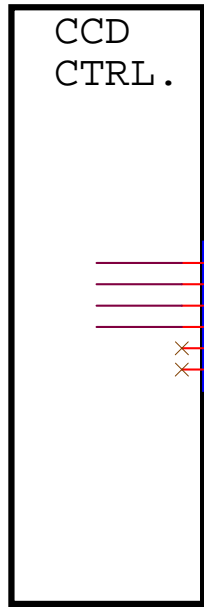


SHUTTER SIGNAL TEST POINT



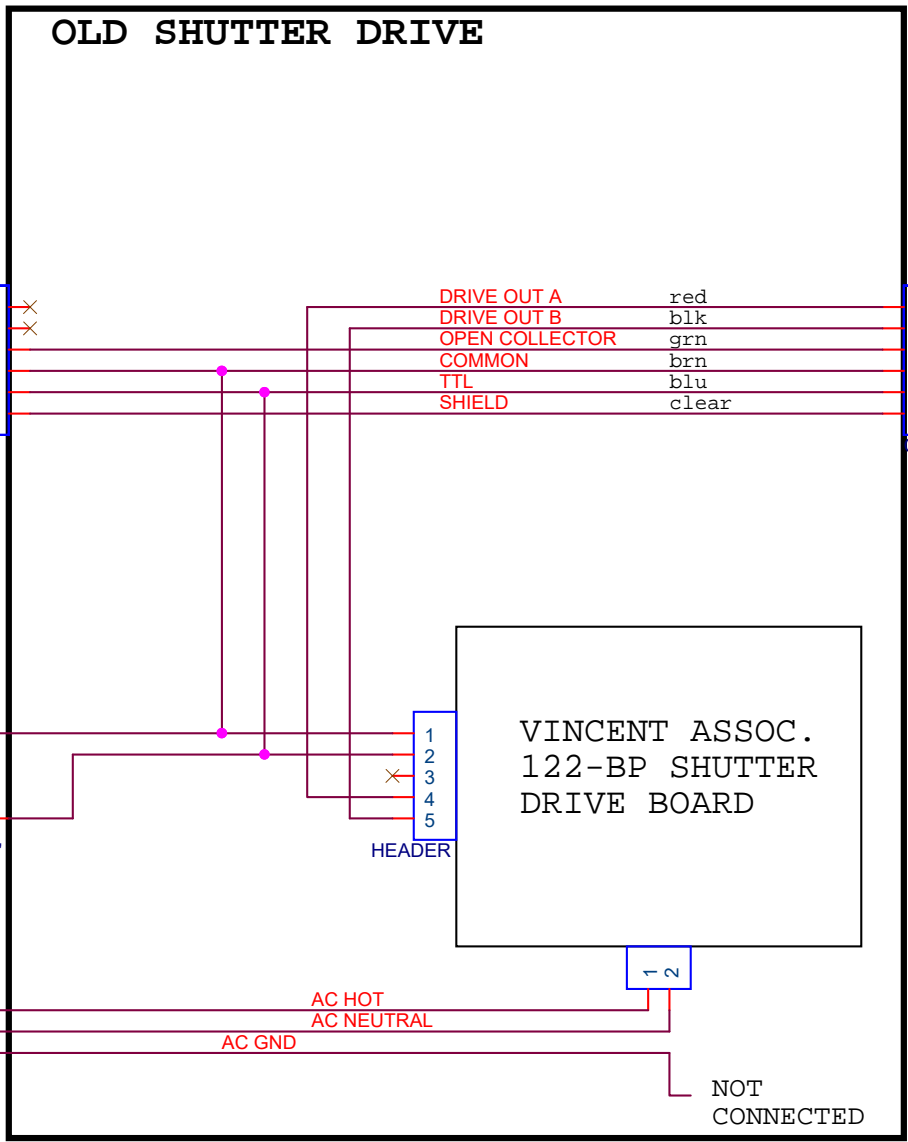
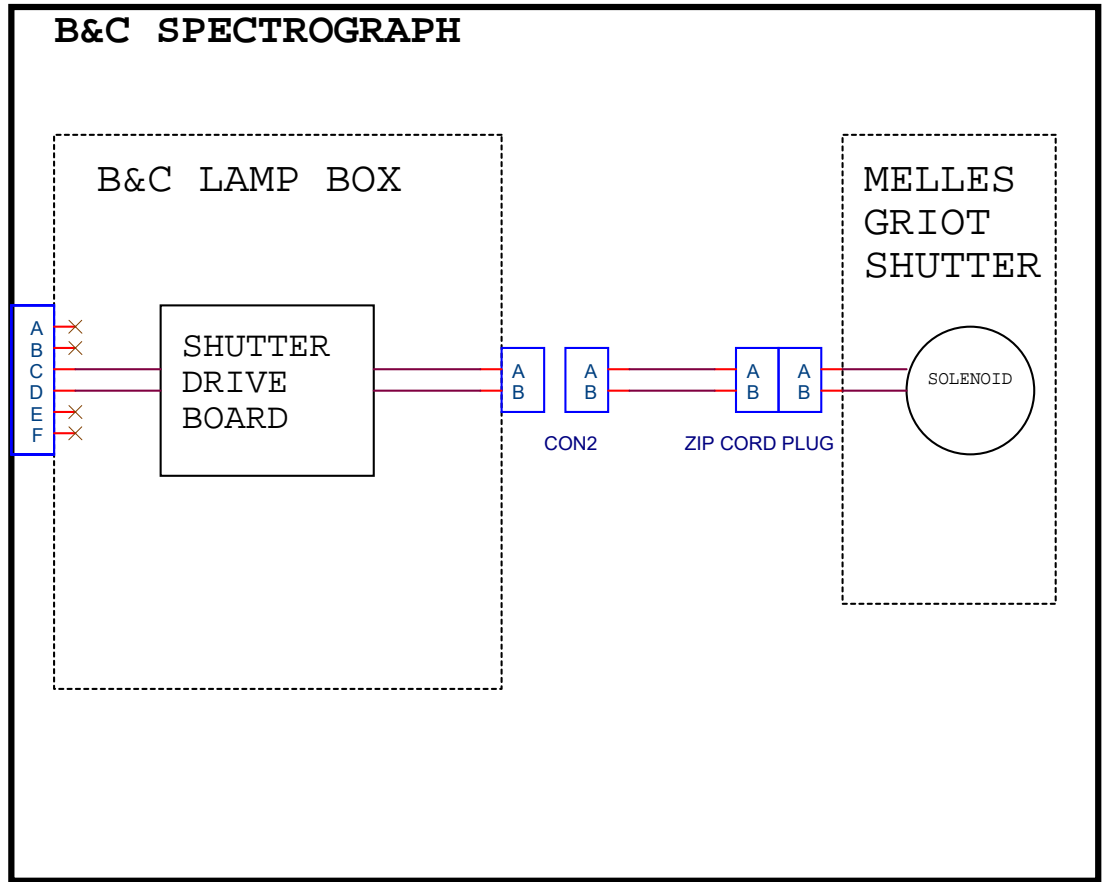
120 VAC

STEWART OBSERVATORY KITTE PEAK 90" TELESCOPE		
MELLES GRIOT SHUTTER DRIVE BLOCK		
Size B	Document Number	Rev A
Date:	Wednesday, May 31, 2017	Sheet 1 of 2



SHUTTER CABLE BYPASSES ORIGINAL SHUTTER DRIVE AND GOES DIRECTLY TO B&B LAMP BOX

OLD SHUTTER DRIVE SHOWN FOR REFERENCE. THE POWER SUPPLY IN THE BOX IS STILL USED.



THE SHUTTER DRIVE IN THE B&C LAMP CONTROLLER DRIVES THE SHUTTER. THE SHUTTER DRIVE BOX ATTACHED TO THE CCD POWER SUPPLY IS BYPASSED.

THIS ALTERNATE WAY OF DRIVING THE B&C SHUTTER STILL WORKS AND CAN BE USED IF THE NEW MELLESGRIOT SHUTTER DRIVE FAILS. THIS APPROACH WAS ABANDONED BECAUSE PROBLEMS IN THE B&C LAMP BOX CAUSED NOISEY IMAGES.

THIS DRAWING IS OBSOLETE - THE CCD CONTROLLER DRIVES THE MELLESGRIOT SHUTTER DRIVE WHICH DIRECTLY DRIVES THE SHUTTER.

STEWART OBSERVATORY KITT PEAK 90" TELESCOPE		
Title OLD B&C SHUTTER WIRING		
Size B	Document Number 21481	Rev A
Date:	Wednesday, May 31, 2017	Sheet 2 of 2