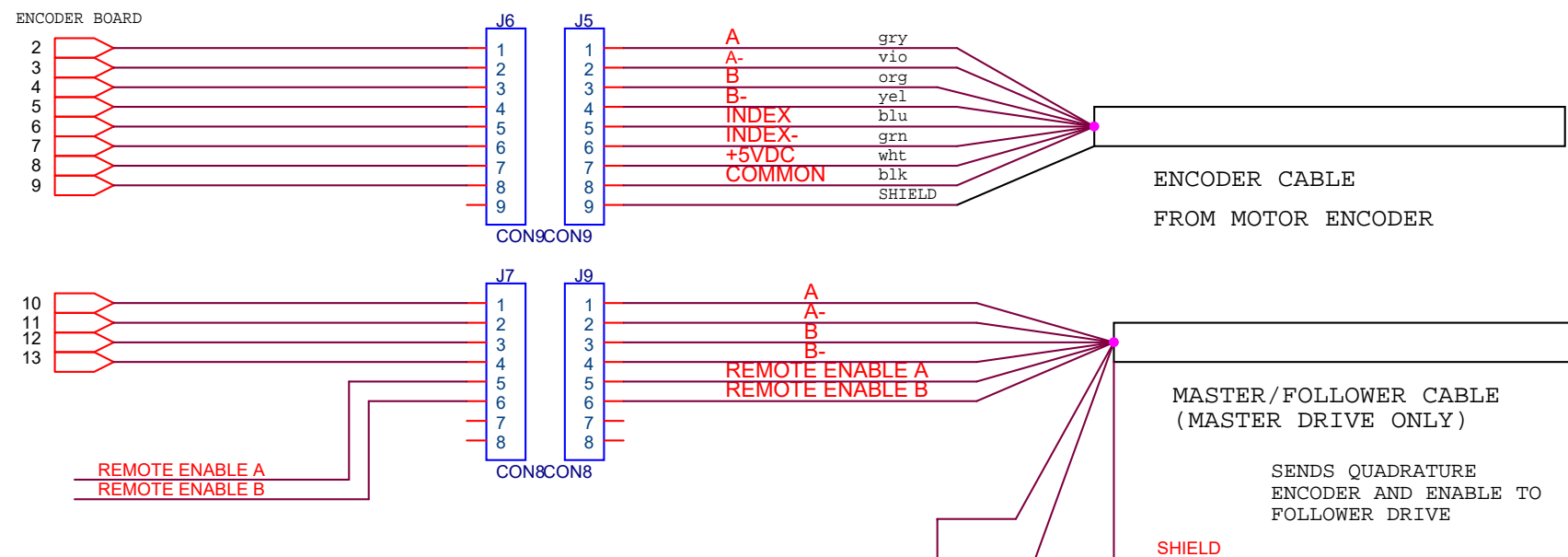
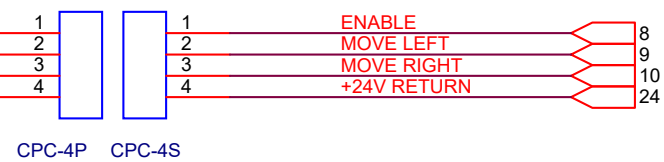
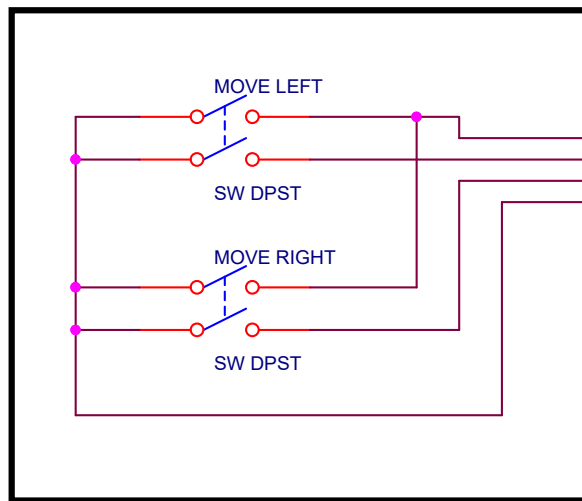
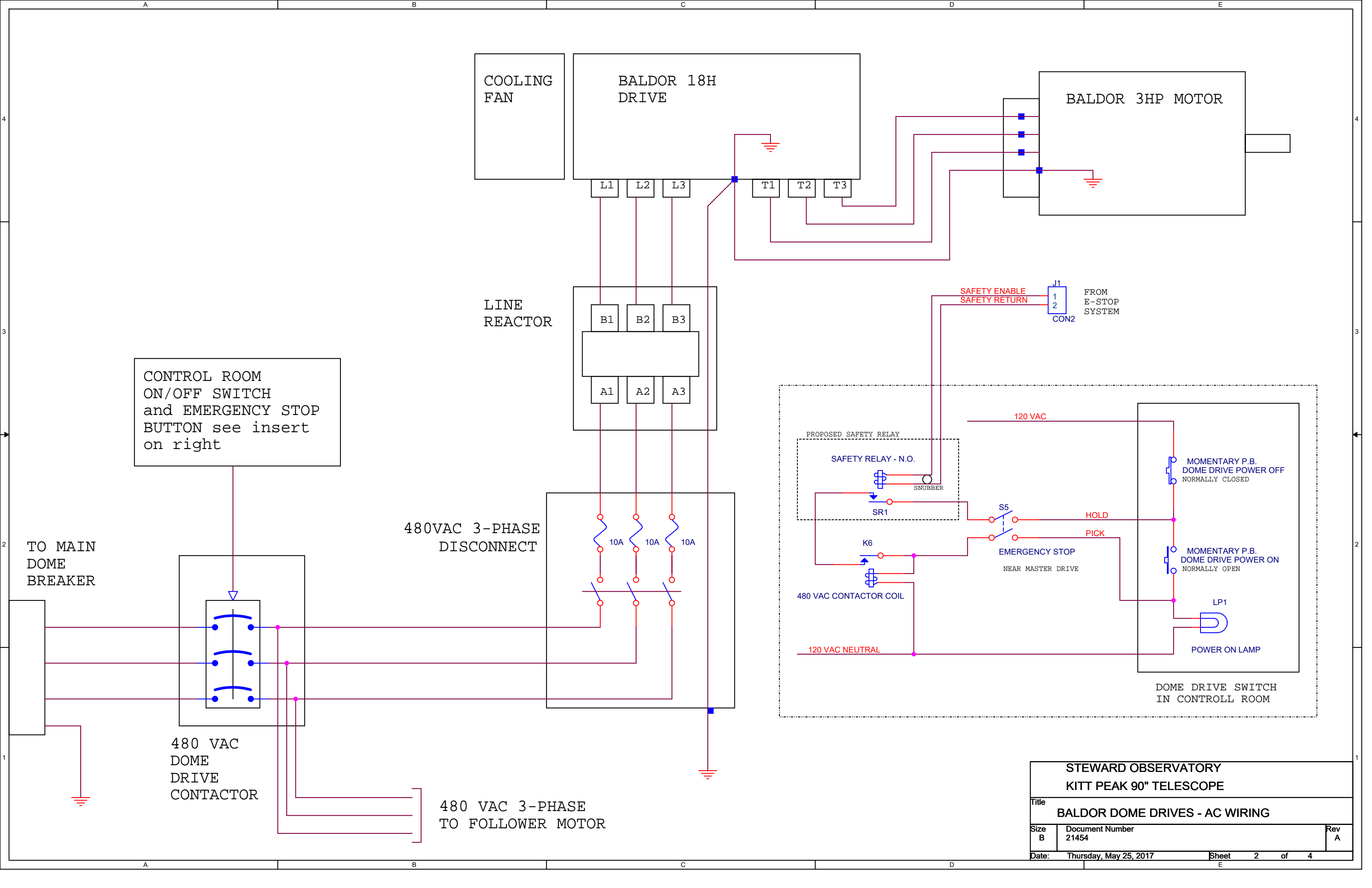


STEWART OBSERVATORY KITT PEAK 90" TELESCOPE		
Title BALDOR DOME DRIVES - BLOCK DIAGRAM		
Size A	Document Number 21454	Rev A
Date:	Thursday, May 25, 2017	Sheet 1 of 4



Title		
BALDOR DOME TEST PADDLE		
Size	Document Number	Rev
B	<Doc>	A
Date:	Thursday, May 25, 2017	Sheet 1 of 1



CONTROL ROOM
ON/OFF SWITCH
and EMERGENCY STOP
BUTTON see insert
on right

TO MAIN
DOME
BREAKER

480 VAC
DOME
DRIVE
CONTACTOR

480VAC 3-PHASE
DISCONNECT

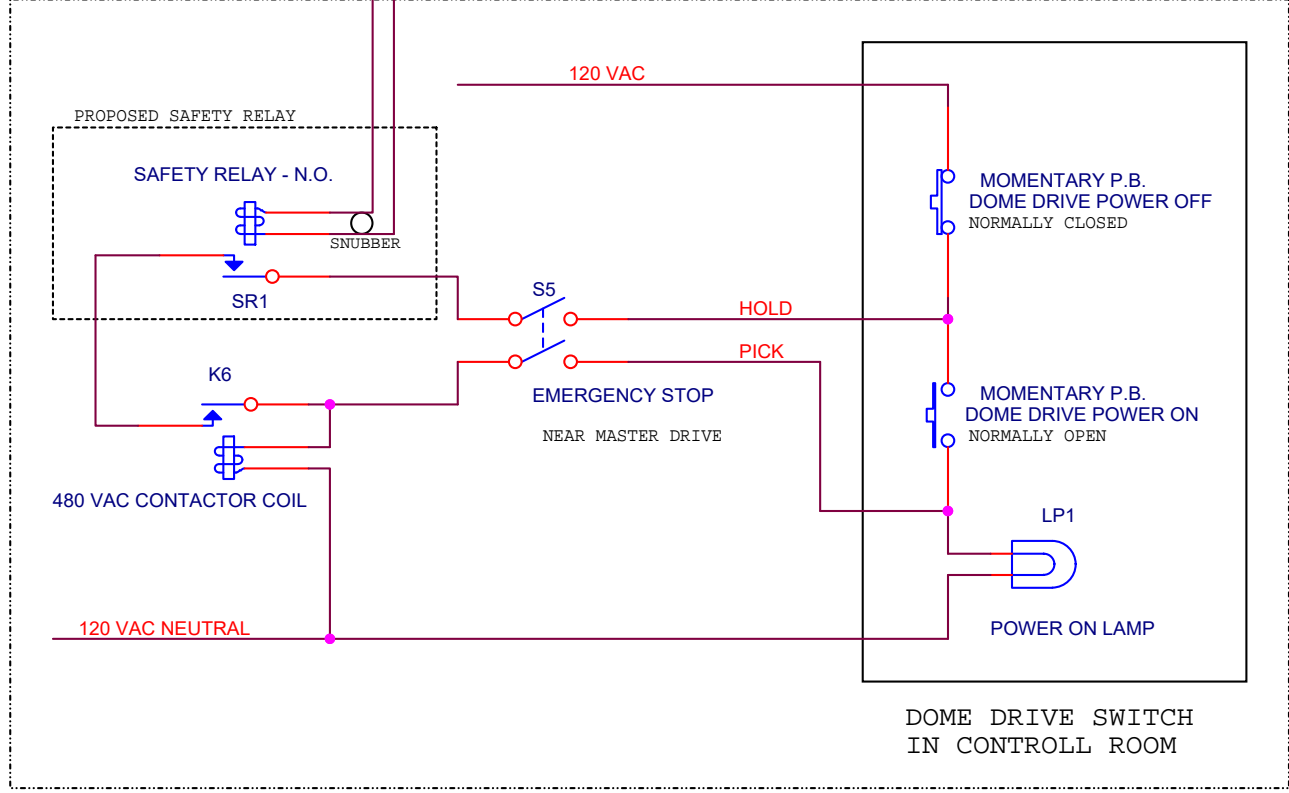
480 VAC 3-PHASE
TO FOLLOWER MOTOR

COOLING
FAN

BALDOR 18H
DRIVE

BALDOR 3HP MOTOR

LINE
REACTOR



STEWART OBSERVATORY		
KITT PEAK 90" TELESCOPE		
Title		
BALDOR DOME DRIVES - AC WIRING		
Size	Document Number	Rev
B	21454	A
Date:	Thursday, May 25, 2017	Sheet 2 of 4

SIGNALS FROM FROM 2ND FLOOR RELAYS

120 VAC HOT

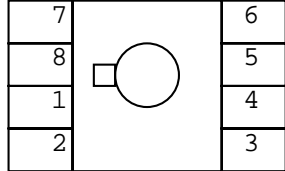
120 VAC MOVE LEFT

120 VAC MOVE RIGHT

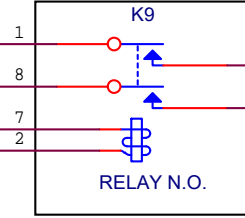
120 VAC NEUTRAL

NTE ELECTRONICS
R02-11A10-120N
(K7, K8, K9)

RELAY SOCKET PINOUT



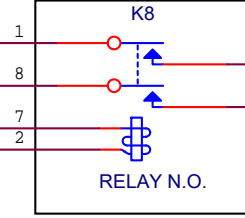
ENABLE



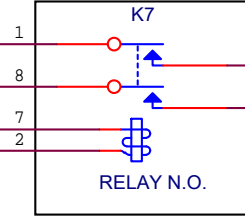
REMOTE ENABLE TO FOLLOWER DRIVE

STATUS MOD NOT INSTALLED

MOVE LEFT



MOVE RIGHT



ENABLE

MOVE LEFT

MOVE RIGHT

STOP

JOG

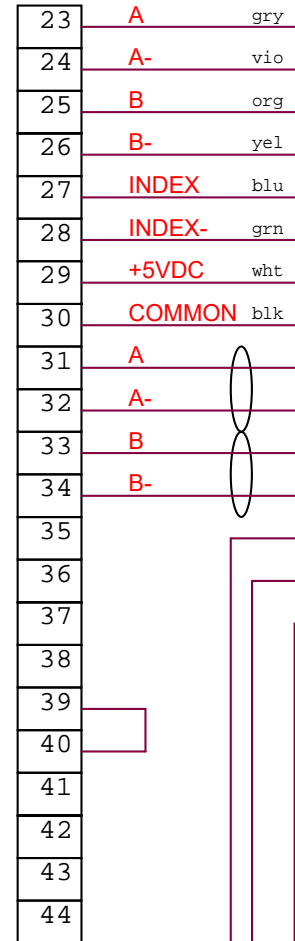
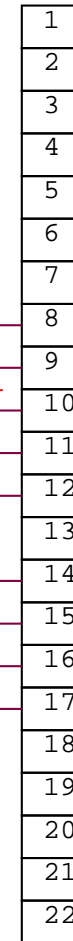
PRESET 1

FAULT RESET

EXTERNAL TRIP

COMMON

COMMON



ENCODER CABLE

MASTER/FOLLOWER CABLE (MASTER DRIVE ONLY)

SHIELD

SHIELD

STATUS MOD NOT INSTALLED

ENABLE

MOVE LEFT

MOVE RIGHT

R4 3.2K

R5 3.2K

R6 3.2K

RIGHT D4

LEFT D5

ENABLE D6

COMMON

EXTERNAL TRIP LOOP FROM FOLLOWER MOTOR OVERTEMP SWITCH

COMMON

NOT INSTALLED

120 VAC

+12V

FAULT RESET SWITCH N.O.

OVERTEMP RELAY

N.C.

MOTOR OVERTEMP SWITCH

N.C.

(IN MOTOR)

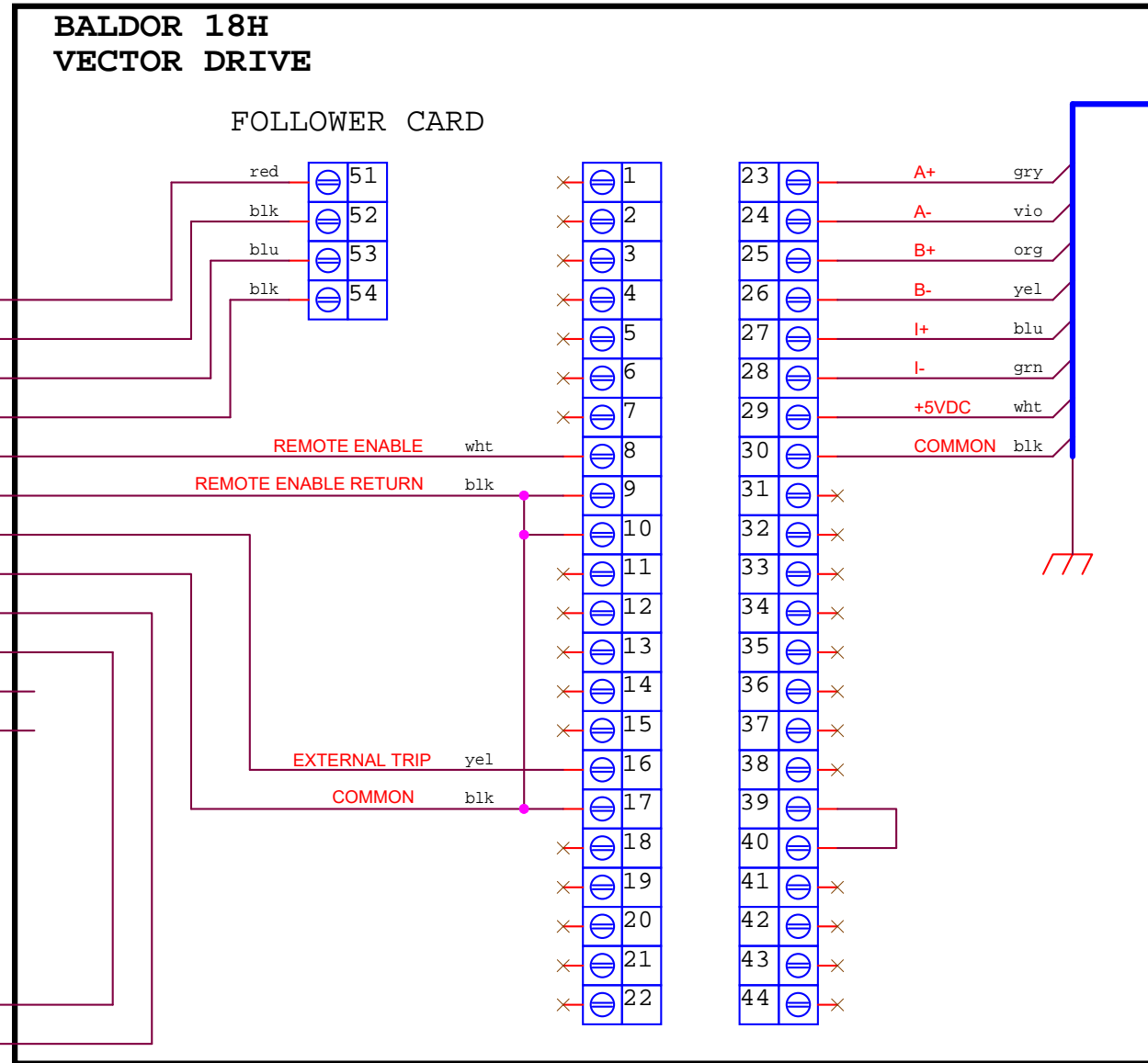
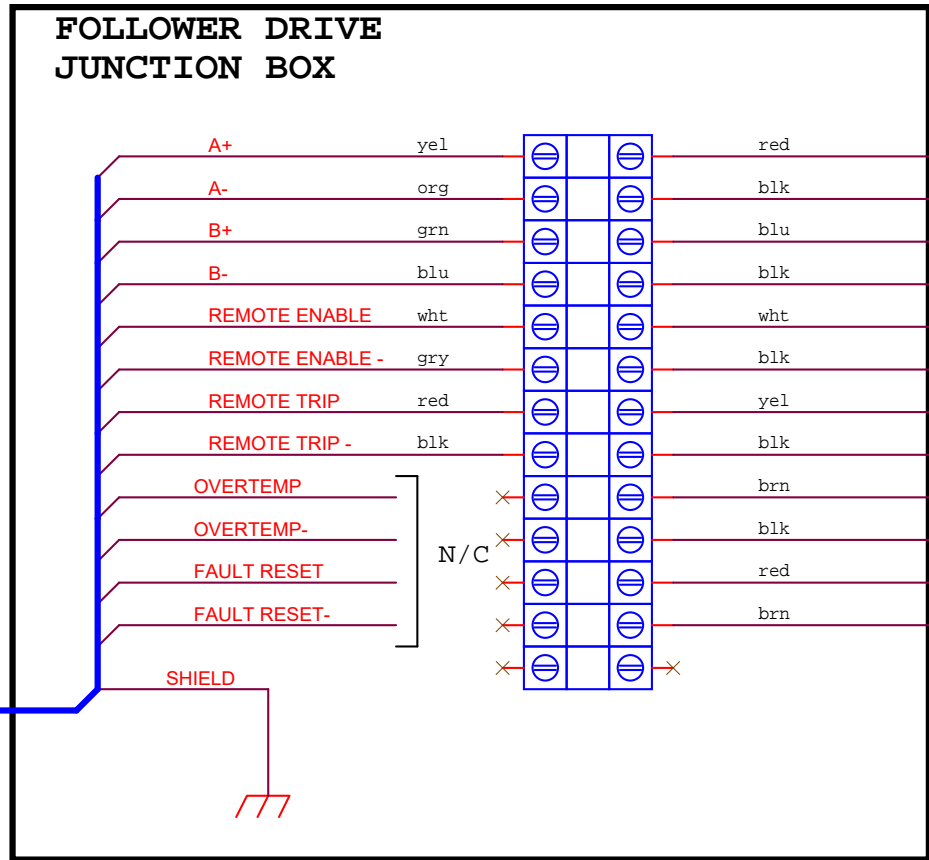
PROPOSED LED INDICATORS TO HELP DIAGNOSE STALLED DOME PROBLEM

STEWART OBSERVATORY
KITTE PEAK 90" TELESCOPE

Title
BALDOR DOME DRIVES - MASTER SIGNAL WIRING

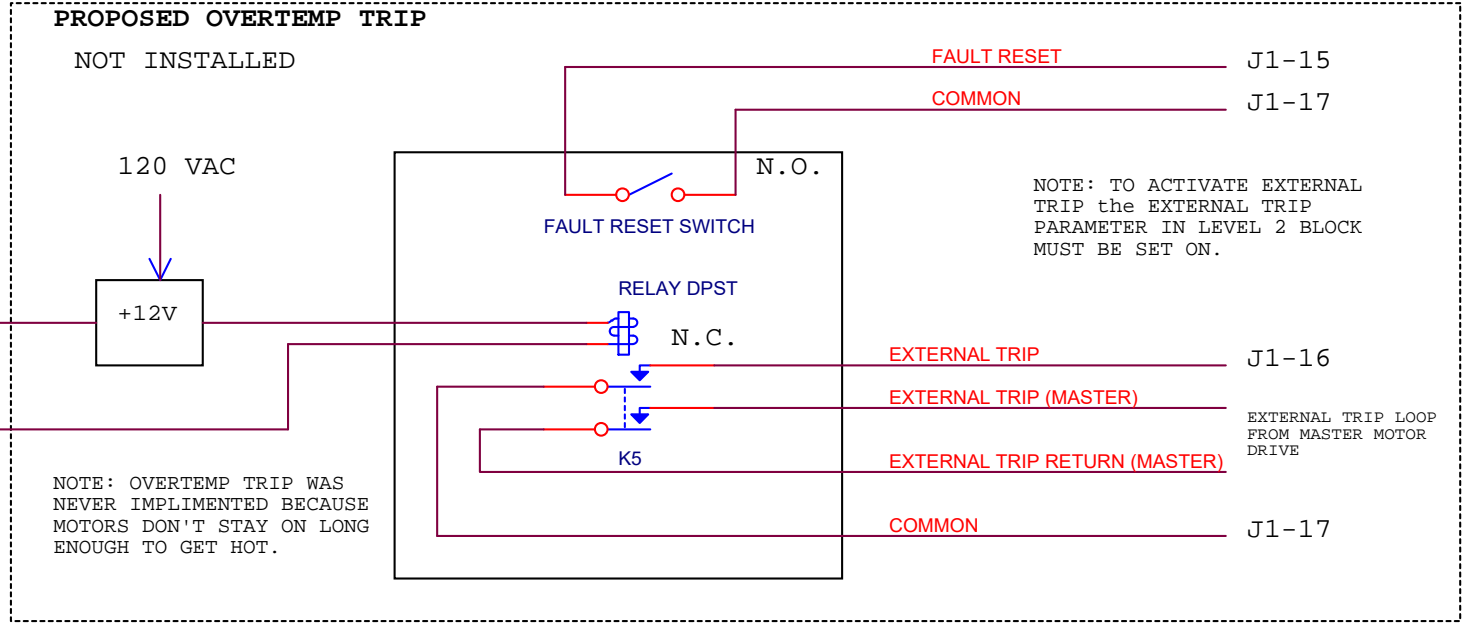
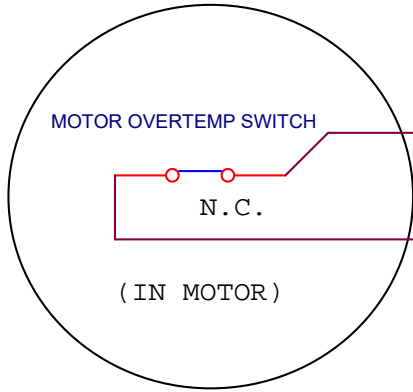
Size B Document Number 21454 Rev A

Date: Thursday, May 25, 2017 Sheet 3 of 4



CABLE FROM MASTER DRIVE

CABLE FROM FOLLOWER DRIVE ENCODER



STEWART OBSERVATORY KITT PEAK 90" TELESCOPE		
Title BALDOR DOME DRIVE - FOLLOWER SIGNAL WIRING		
Size B	Document Number 21454	Rev A
Date: Thursday, May 25, 2017		Sheet 4 of 4