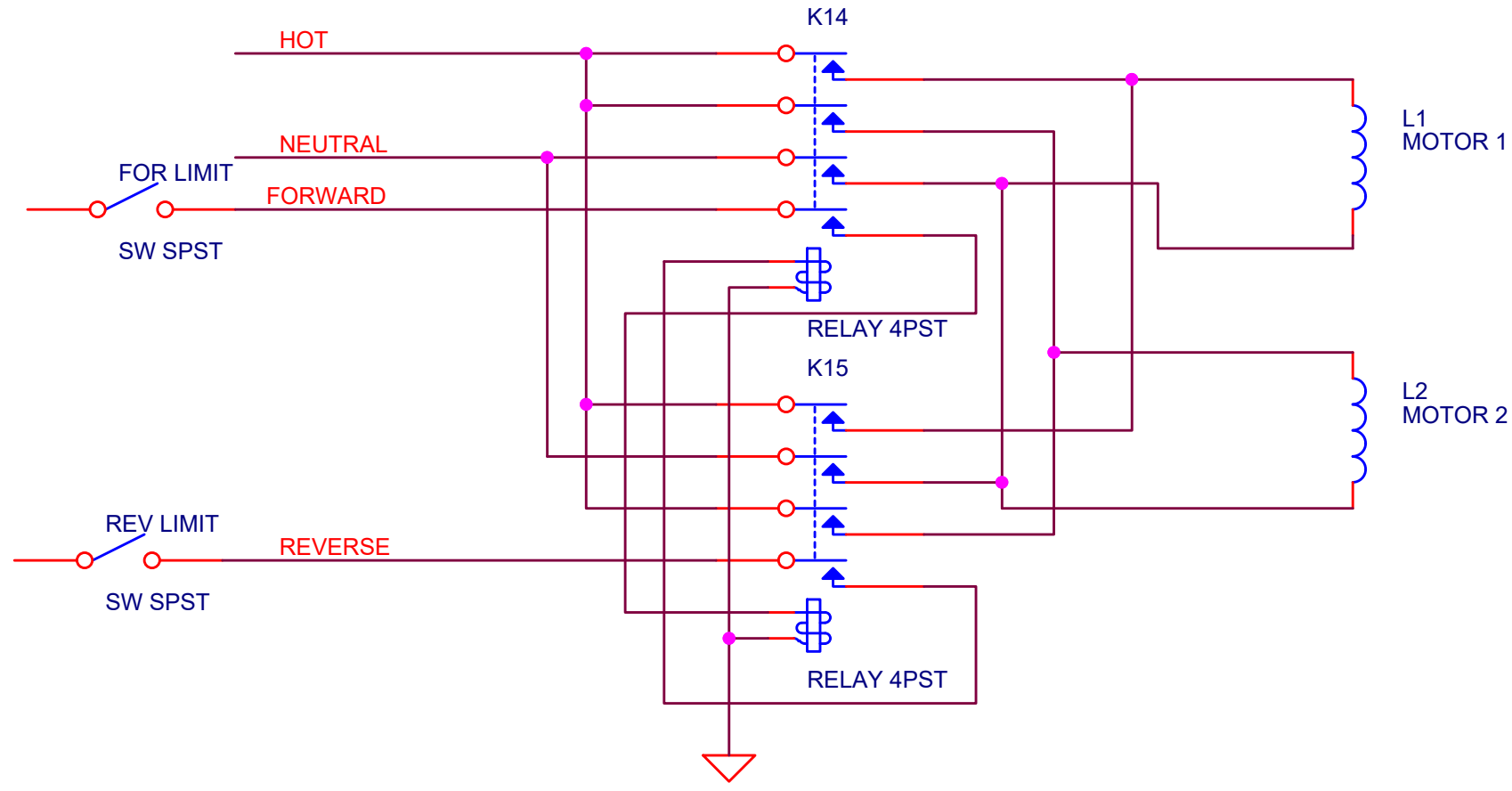
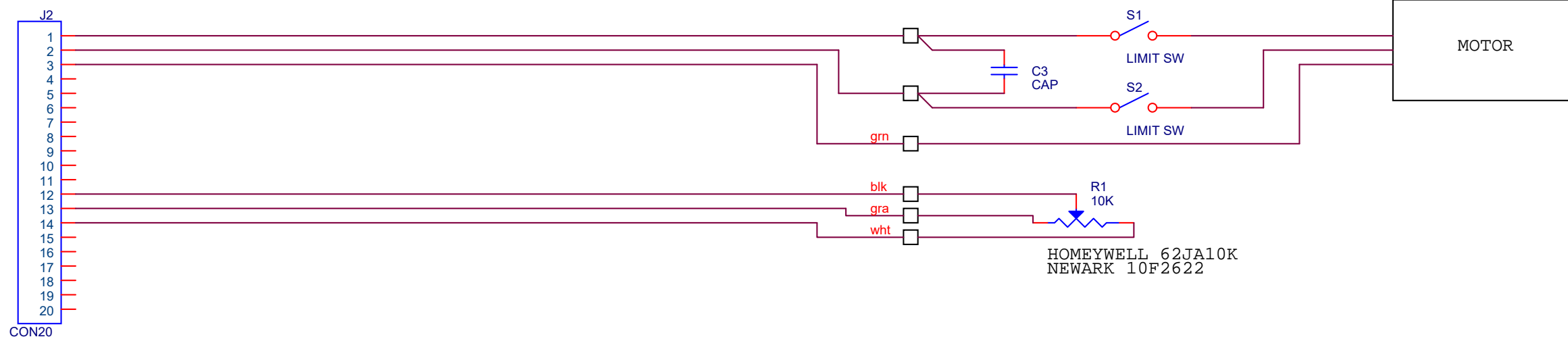


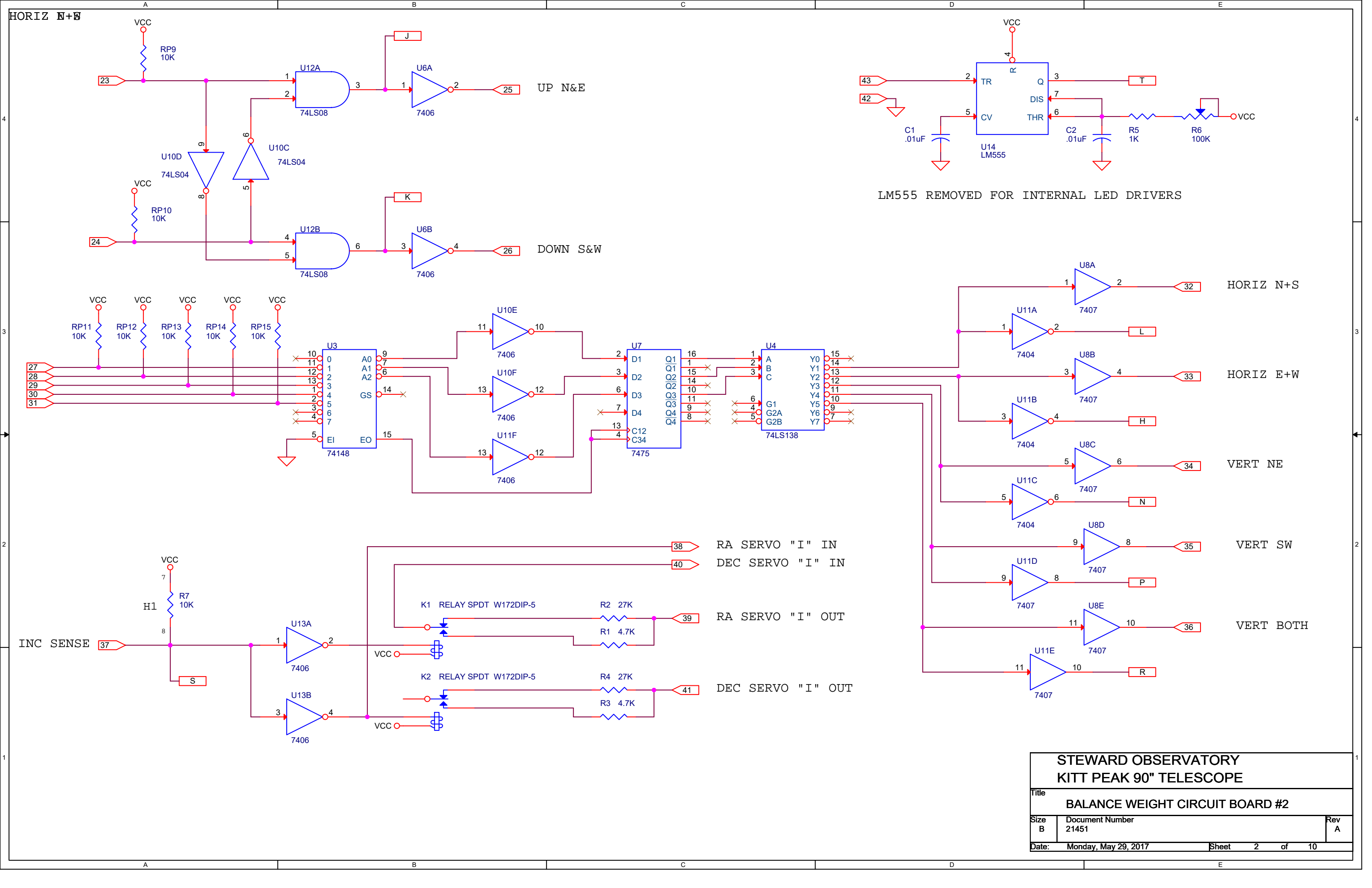
<b>STEWART OBSERVATORY</b>		
<b>KITT PEAK 90" TELESCOPE</b>		
Title <b>BALANCE WEIGHT CIRCUIT BOARD #1</b>		
Size B	Document Number 21451	Rev A
Date:	Monday, May 29, 2017	Sheet 1 of 10



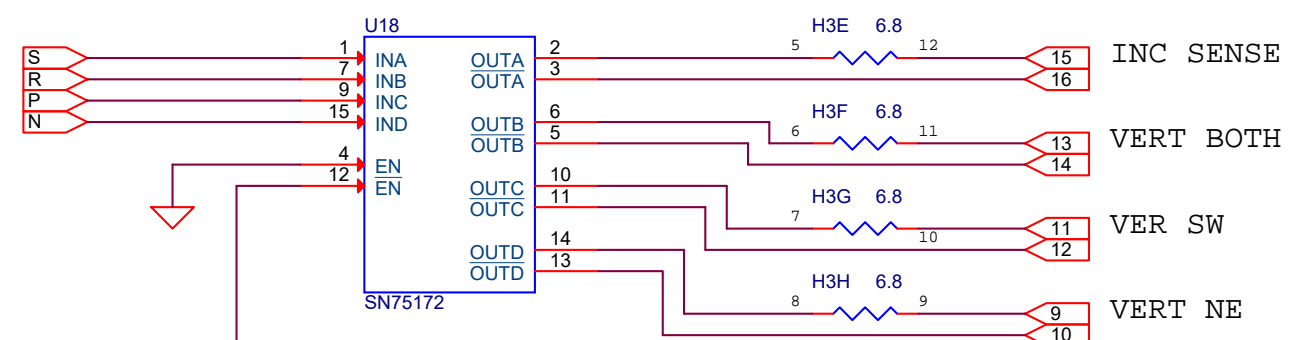
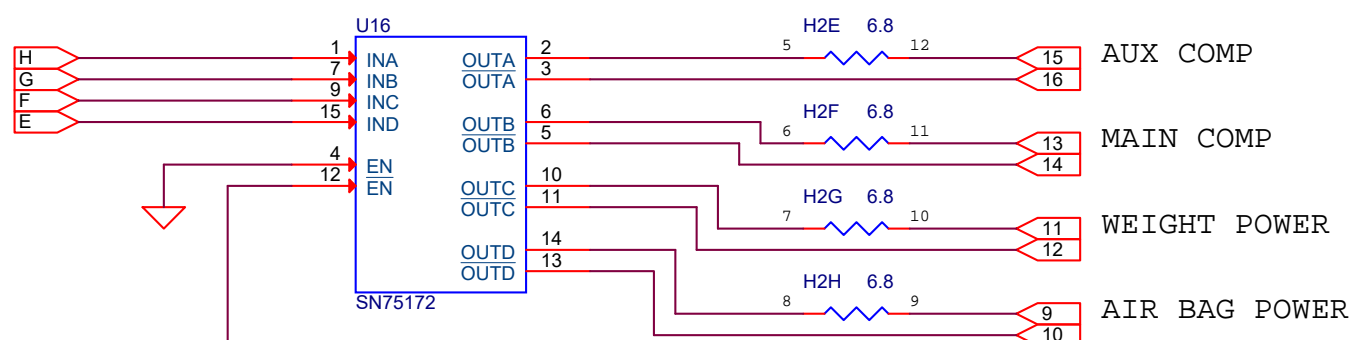
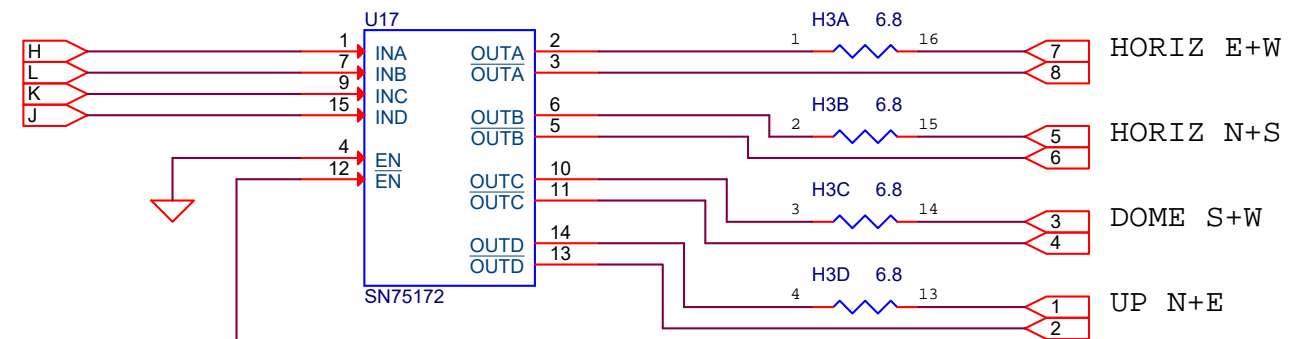
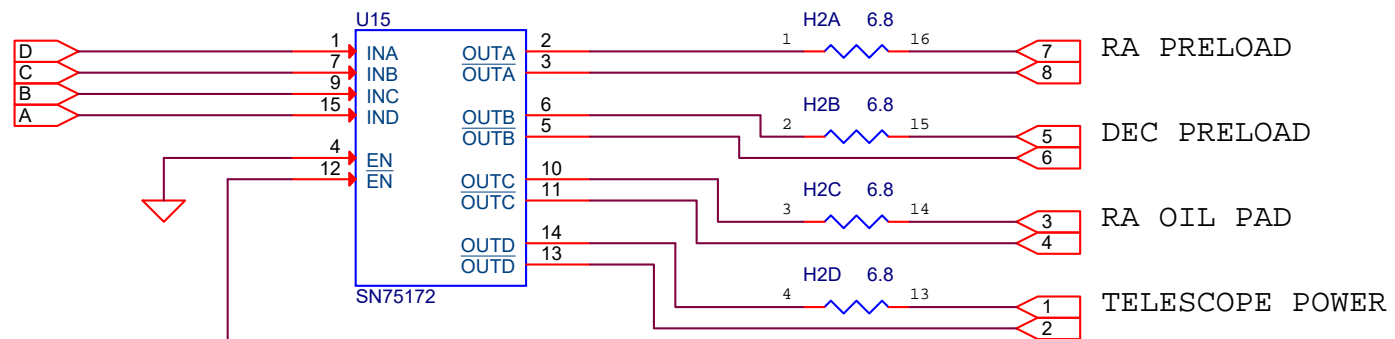
Title		
NEW RELAY (PROPOSED)		
Size	Document Number	Rev
A	<Doc>	A
Date:	Monday, May 29, 2017	Sheet 1 of 1



Title		
<Title>		
Size	Document Number	Rev
B	<Doc>	A
Date:	Monday, May 29, 2017	Sheet 1 of 1



<b>STEWART OBSERVATORY KITTE PEAK 90" TELESCOPE</b>		
Title		
<b>BALANCE WEIGHT CIRCUIT BOARD #2</b>		
Size	Document Number	Rev
B	21451	A
Date:	Monday, May 29, 2017	Sheet 2 of 10



TELESCOPE  
POWER

OIL  
PUMP

AIR BAG  
POWER

+ UP  
N & E

3 1/2 DIGIT DPM

- DOWN  
S & W

W	15	N	15
	10		10
	5	D	5
R	0	E	0
A	0	C	0
	→ 5	→ 5	
	10		10
	15		15
E		S	

INCR  
SENS

RA  
PRELOAD

DEC  
PRELOAD

AUX  
COMP

HORIZ  
N/S

HORIZ  
E/W

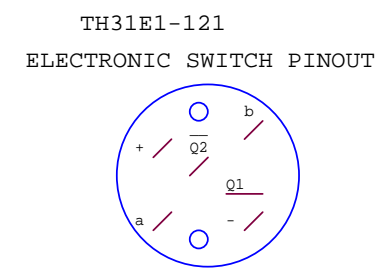
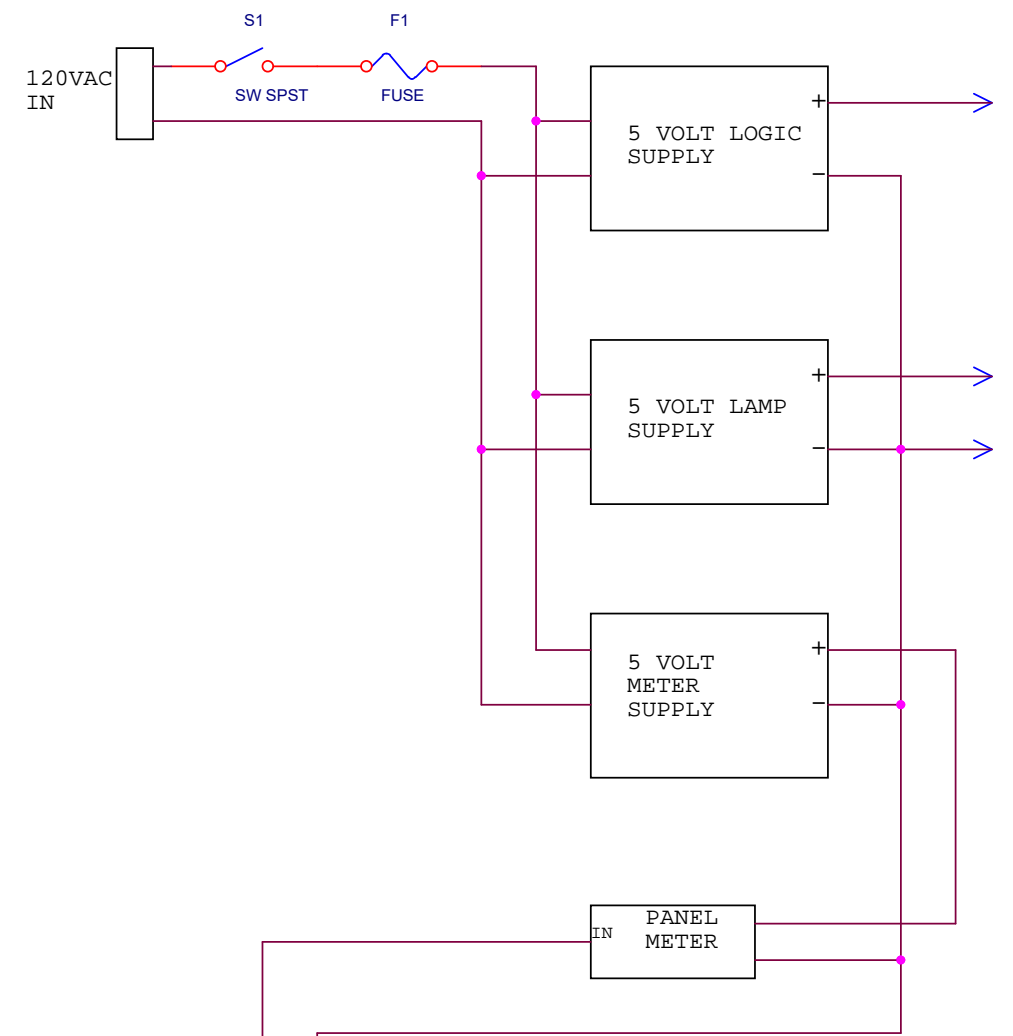
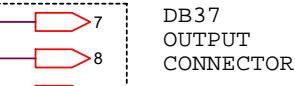
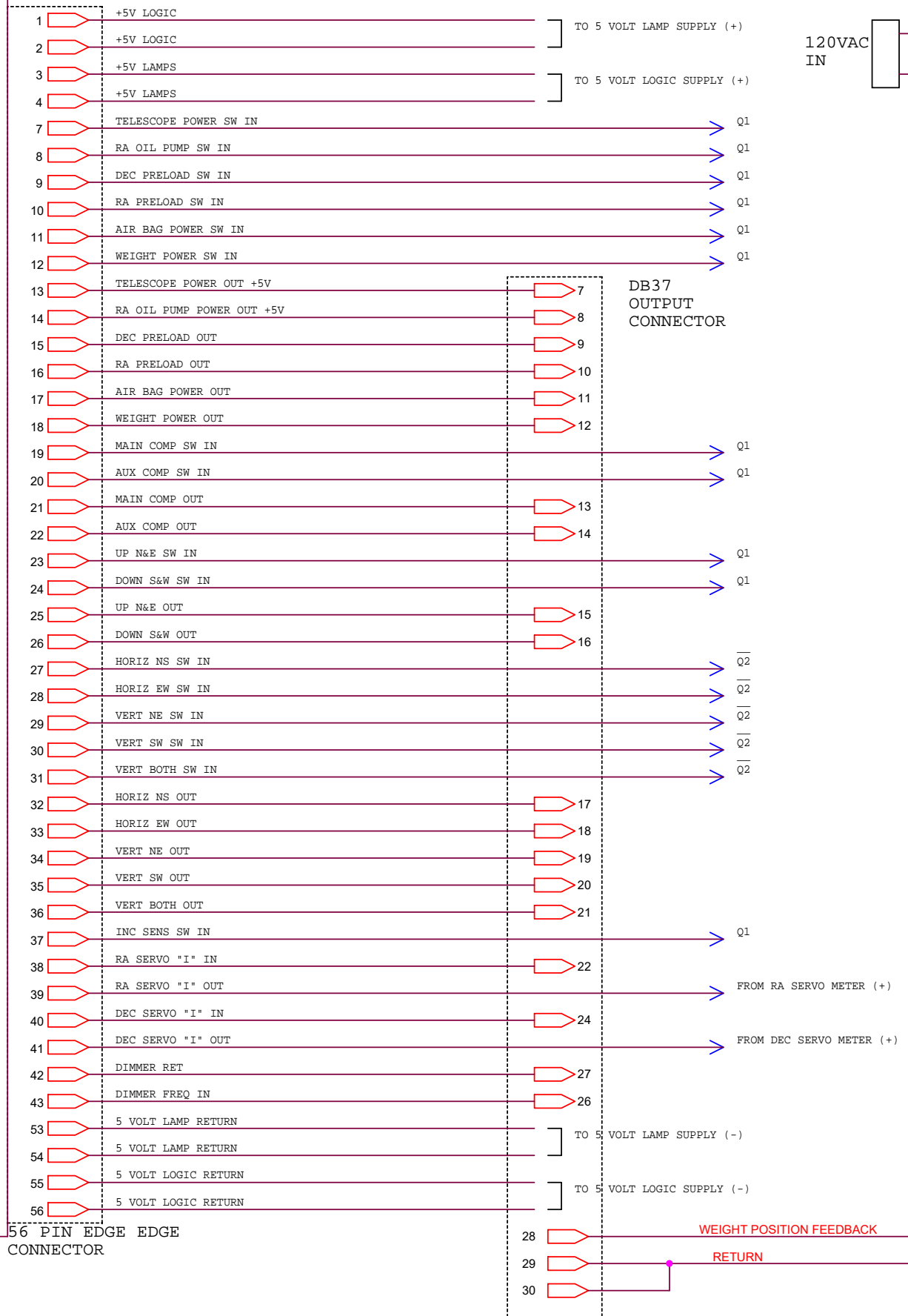
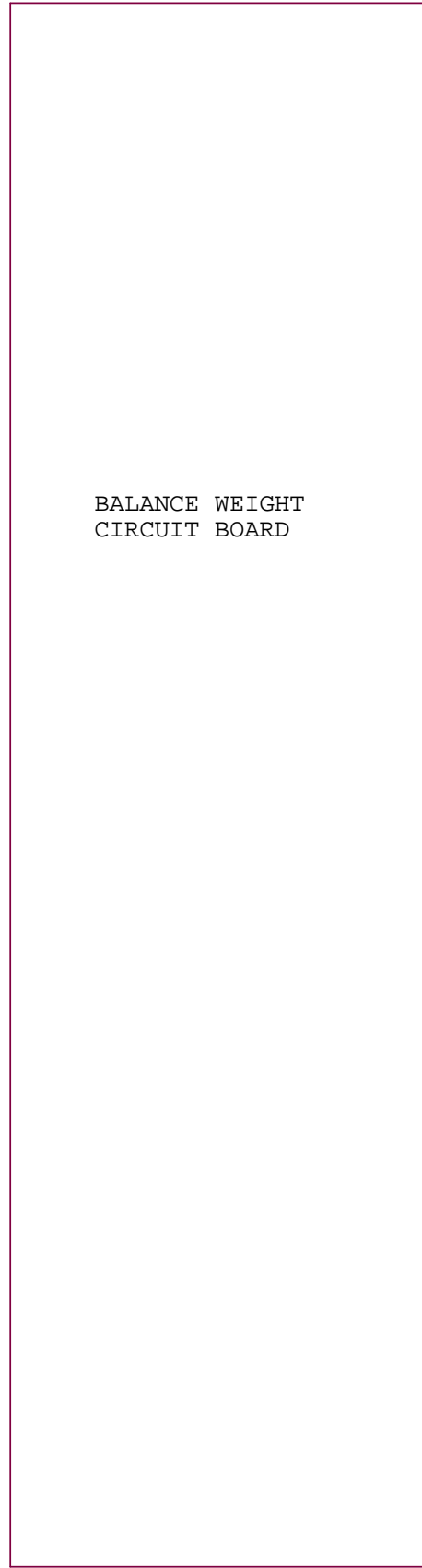
VERT  
SW

VERT  
NE

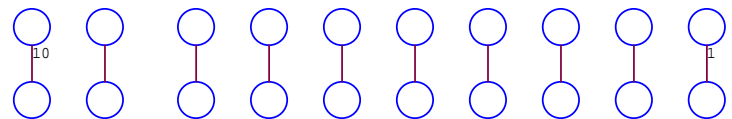
VERT  
BOTH

WEIGHT  
POWER

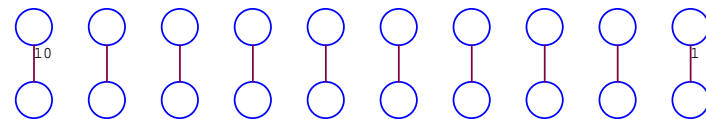
STEWARD OBSERVATORY kitt peak 90" TELESCOPE		
Title WEIGHT CONTROLS FRONT PANEL		
Size B	Document Number 21451	Rev A
Date: Monday, May 29, 2017	Sheet 4	of 10



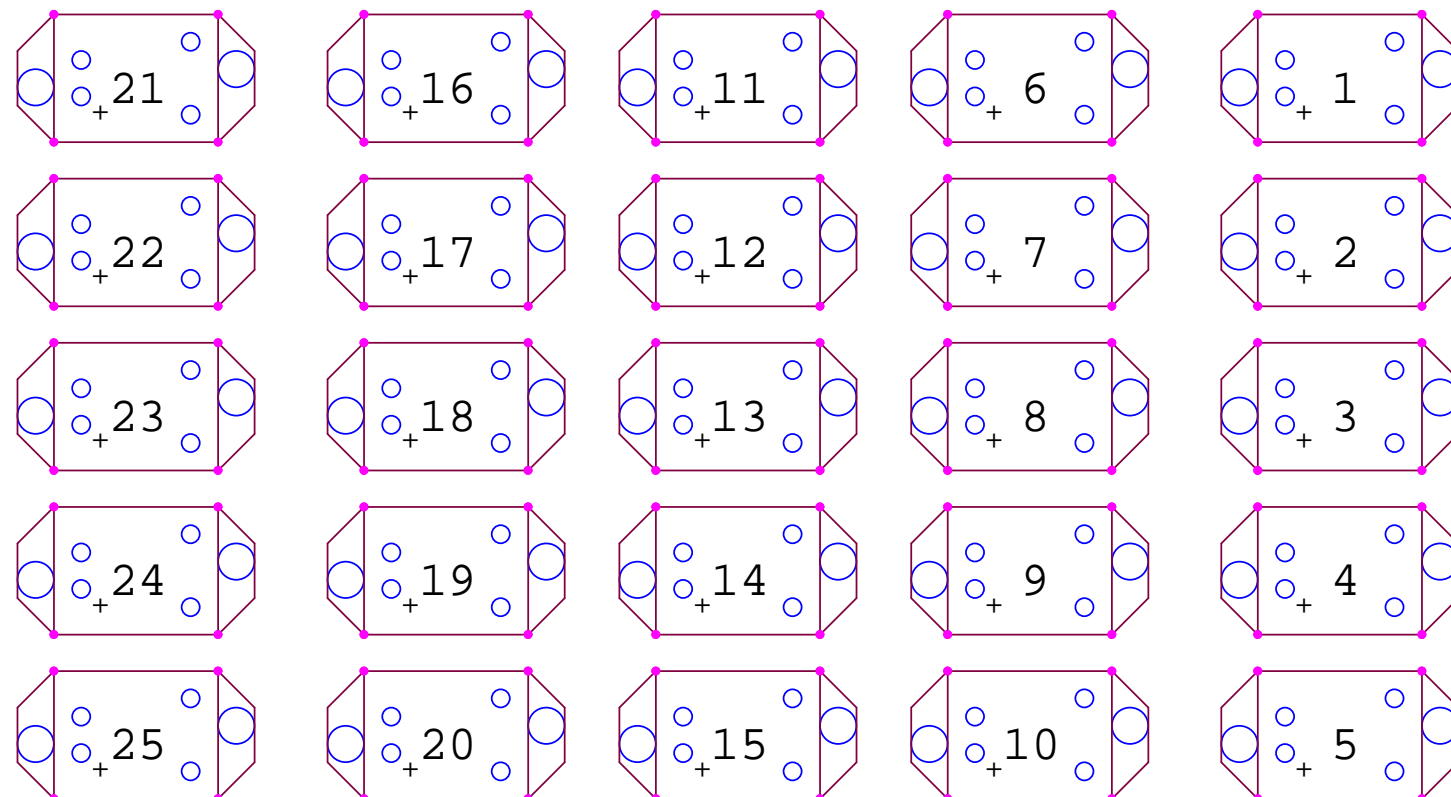
STEWART OBSERVATORY KITTE PEAK 90" TELESCOPE		
Title WEIGHT CONTROL BOX - INTERNAL WIRING		
Size B	Document Number 21451	Rev A
Date: Monday, May 29, 2017	Sheet 6	of 10



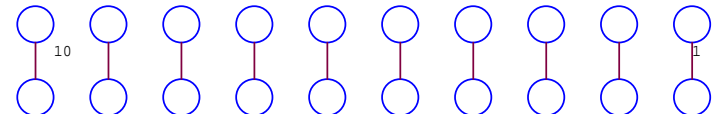
TB2



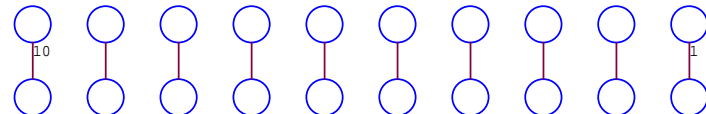
TB1



TB4



TB3



STEWARD OBSERVATORY  
BIGELOW 61" TELESCOPE

Title  
WEIGHT CONTROL INTERFACE LAYOUT

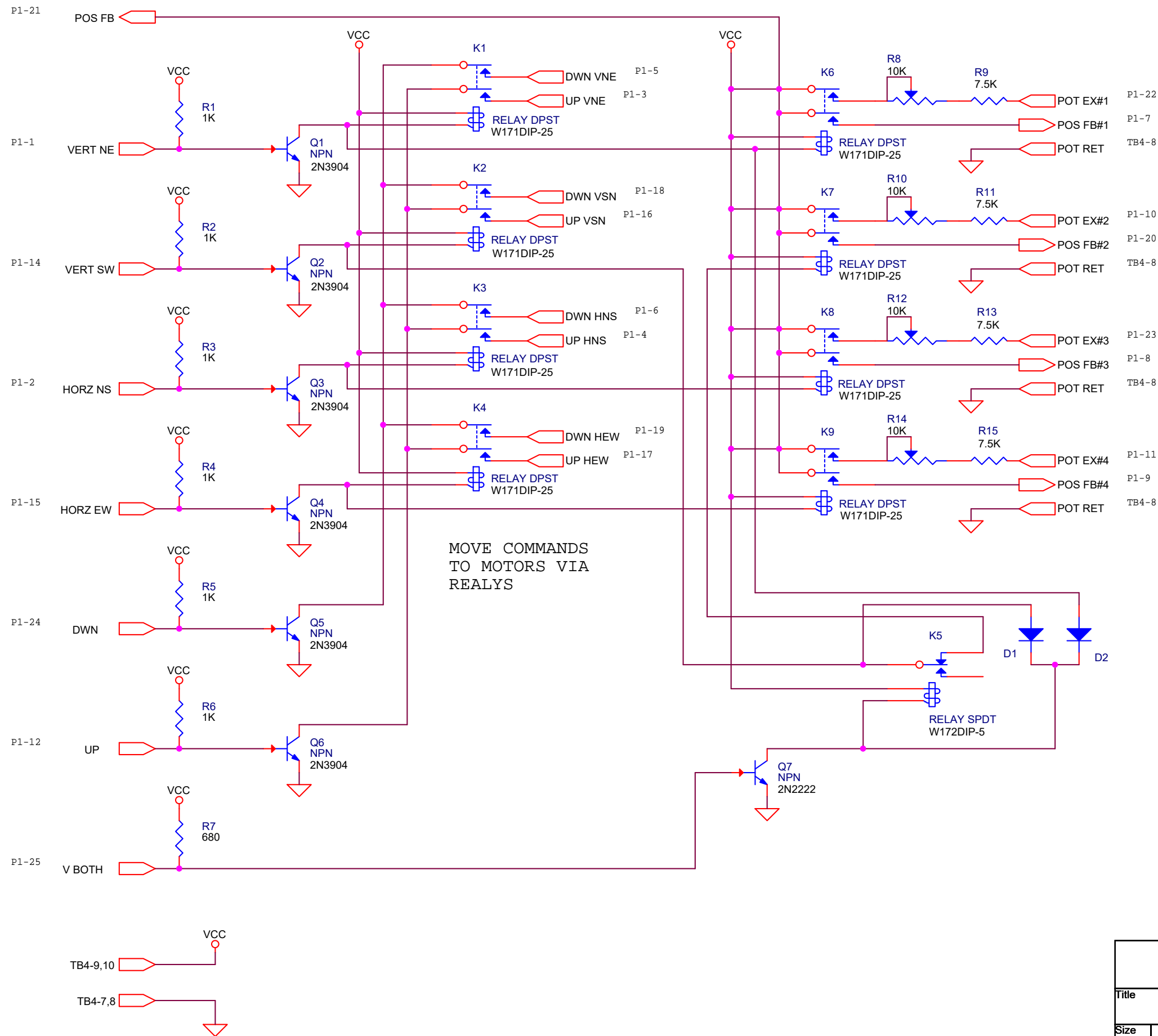
Size  
B Document Number  
21451

Rev  
A



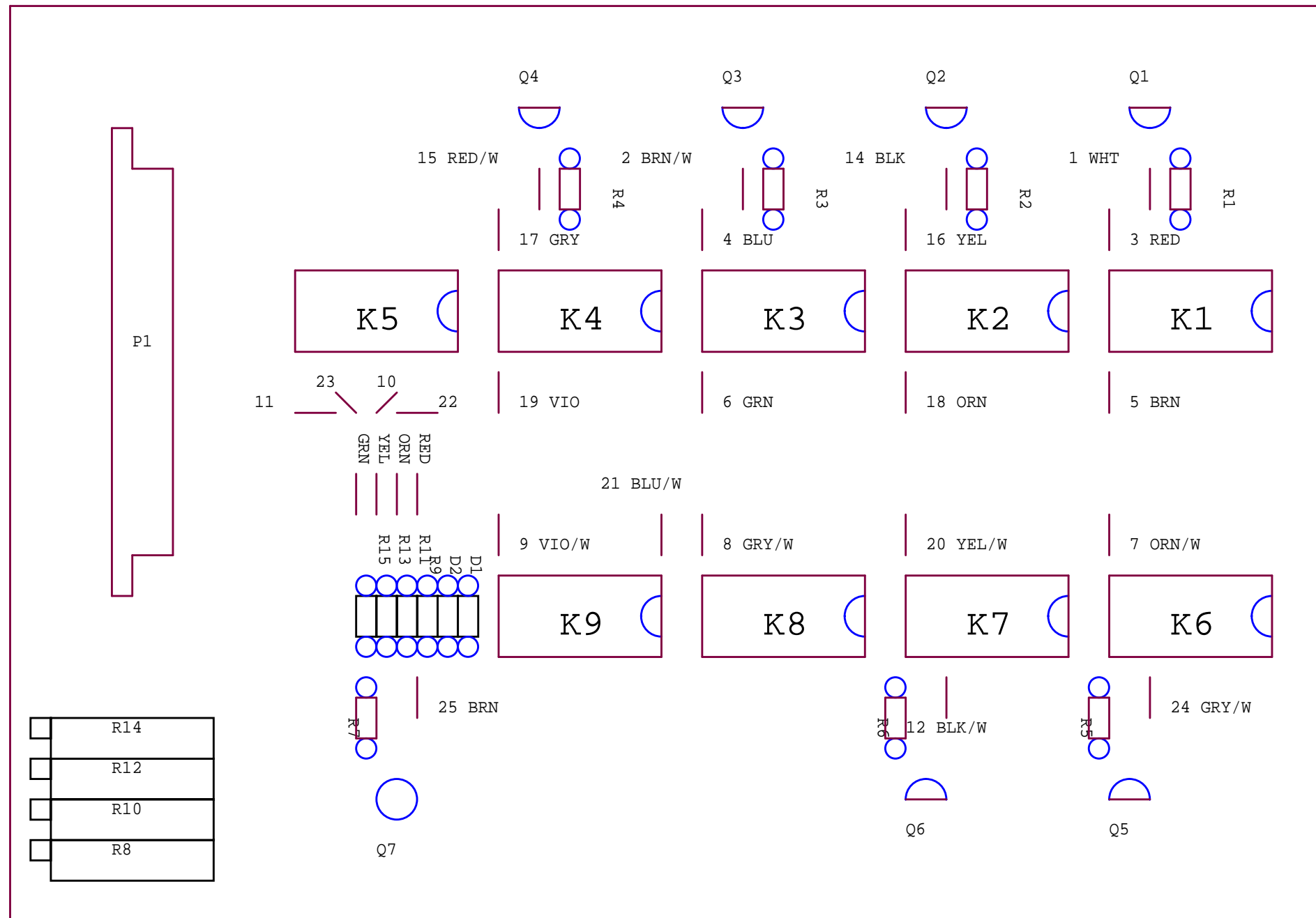
POSITION  
FEEDBACK TO  
CONSOLE  
DISPLAY

MOVE COMMAND IN  
FROM CONSOLE  
SWITCHES

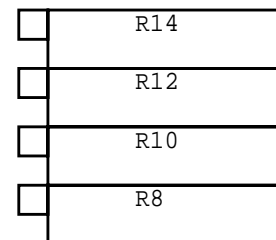


POSITION  
FEEDBACK FROM  
INDIVIDUAL POTS

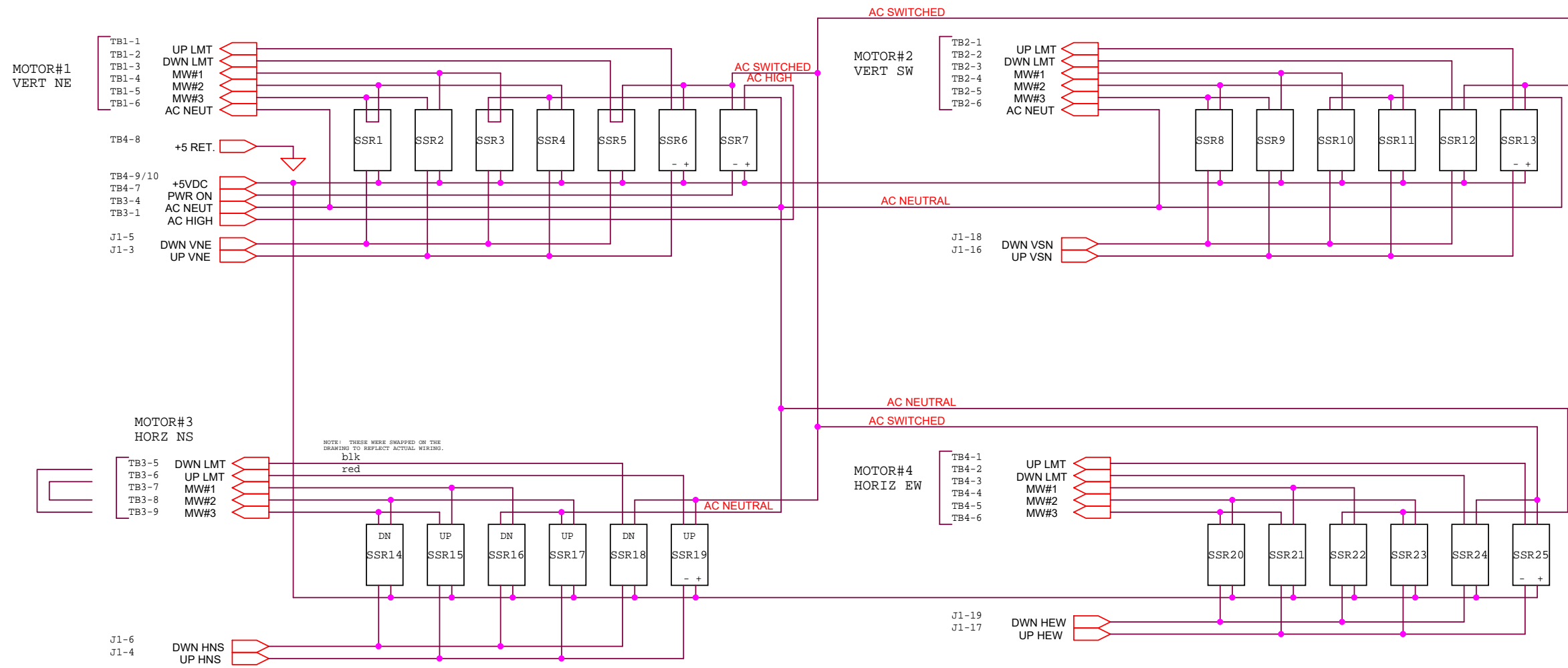
<b>STEWART OBSERVATORY KITTE PEAK 90" TELESCOPE</b>		
Title		
<b>WEIGHT CONTROL INTERFACED CIRCUIT BOARD</b>		
Size	Document Number	Rev
B	21451	A
Date:	Monday, May 29, 2017	Sheet 8 of 10



POT ARRANGEMENT  
CLOSER TO  
REALITY THAT THE  
ORIGINAL  
DRAWING. 8-13-08

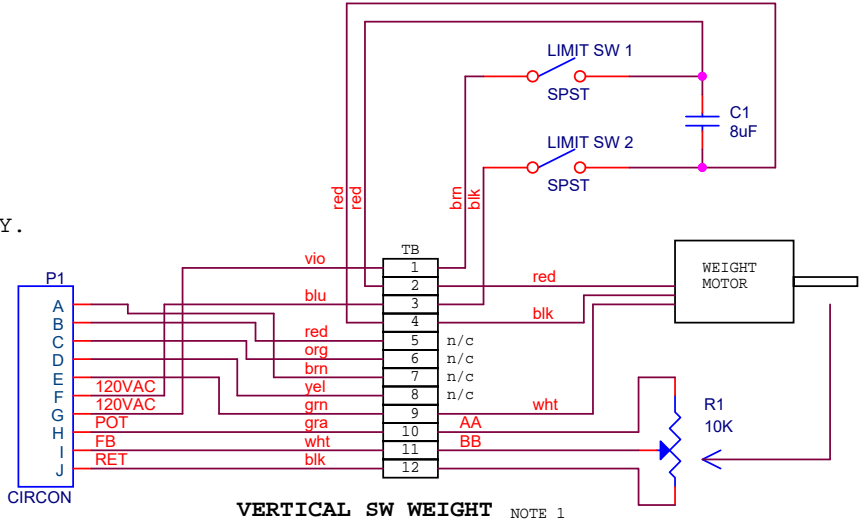


<b>STEWARD OBSERVATORY KITTE PEAK 90" TELESCOPE</b>		
Title		
<b>WEIGHT CONTROL BRD. INTER. LAYOUT</b>		
Size	Document Number	Rev
A	21451	A
Date:	Monday, May 29, 2017	Sheet 8 of 10



NOTE 1

VERTICAL NE WEIGHT IS WIRED SLIGHTLY DIFFERENTLY. TB SPACE 1 IS DAMAGED SO THE WIRES ARE SHIFTED DOWN ONE. MOTOR IS WIRED DIFFERENTLY.



VERTICAL SW WEIGHT NOTE 1

TELEDYNE RELAY FS24R10-06, 240V, 10A

<b>STEWART OBSERVATORY KITTE PEAK 90" TELESCOPE</b>		
Title <b>WEIGHT CONTROL PANEL INTERFACE</b>		
Size B	Document Number 21451	Rev A
Date:	Monday, May 29, 2017	Sheet 10 of 10