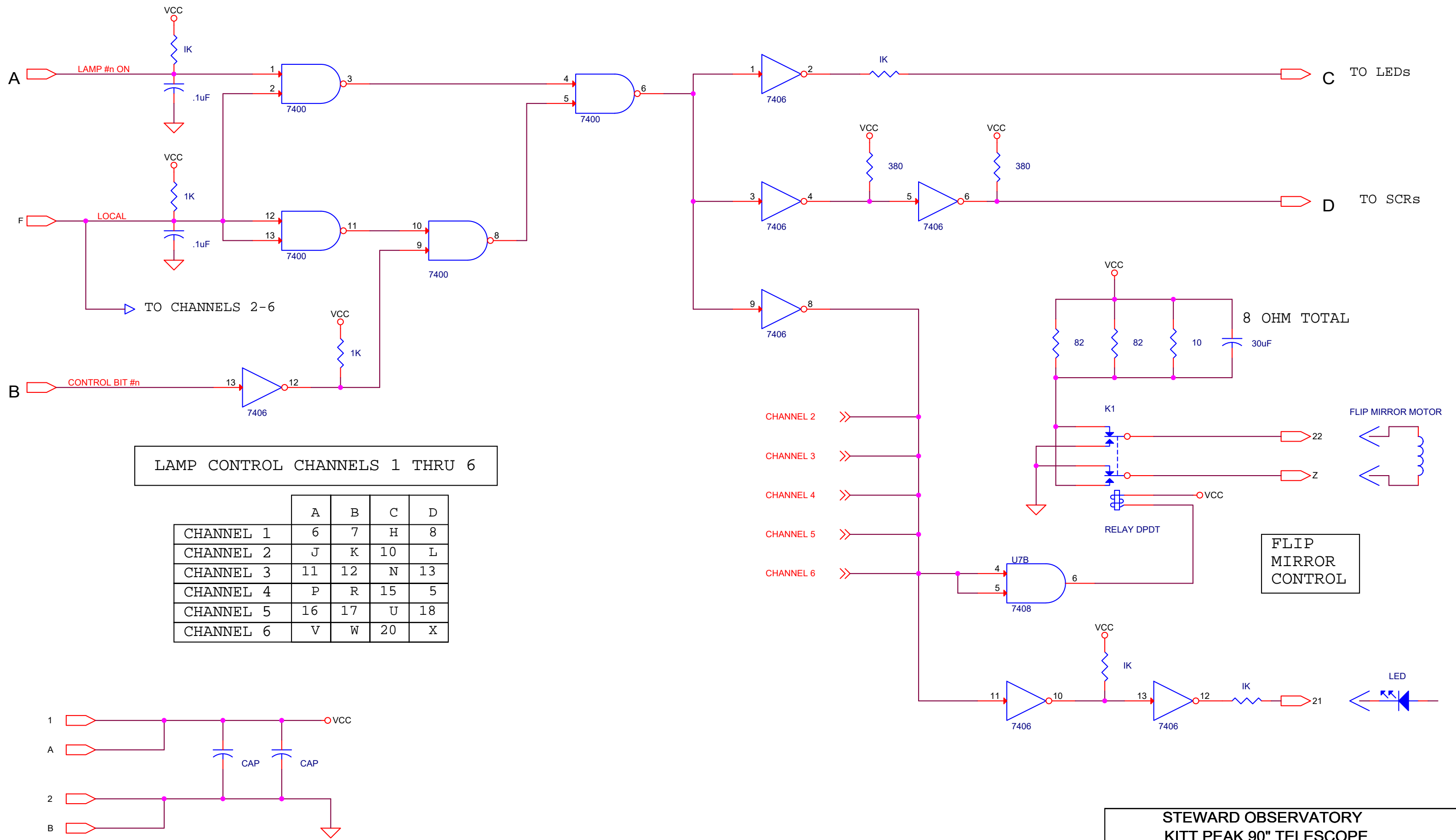
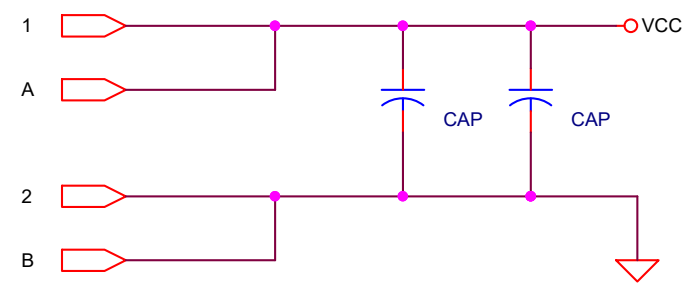


<b>STEWART OBSERVATORY KITTE PEAK 90" TELESCOPE</b>		
<b>Title</b> B&C SPECTROGRAPH BOX WIRING		
Size B	Document Number	Rev A
Date:	Wednesday, May 31, 2017	Sheet 1 of 3



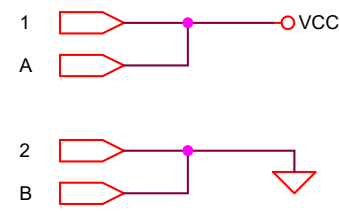
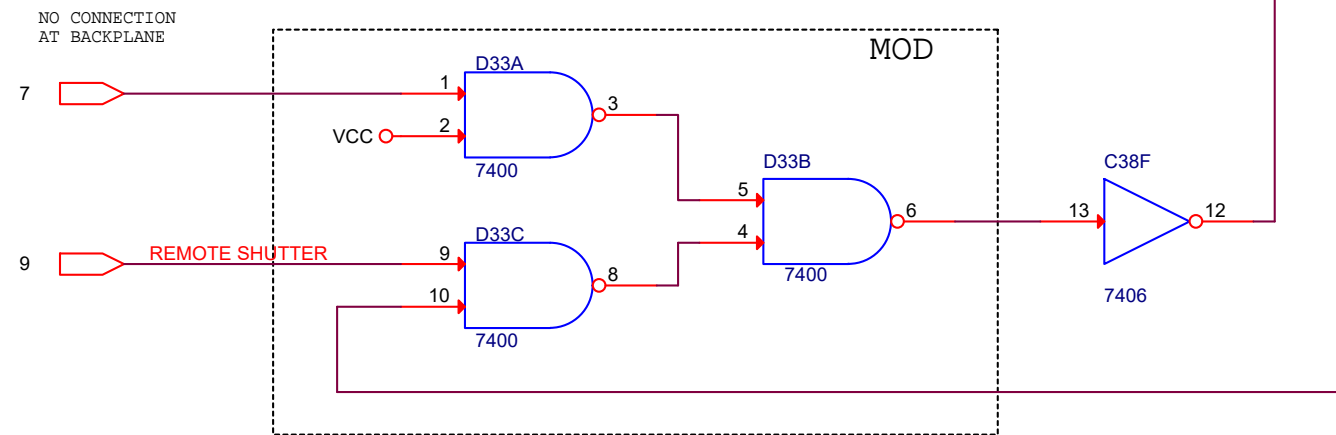
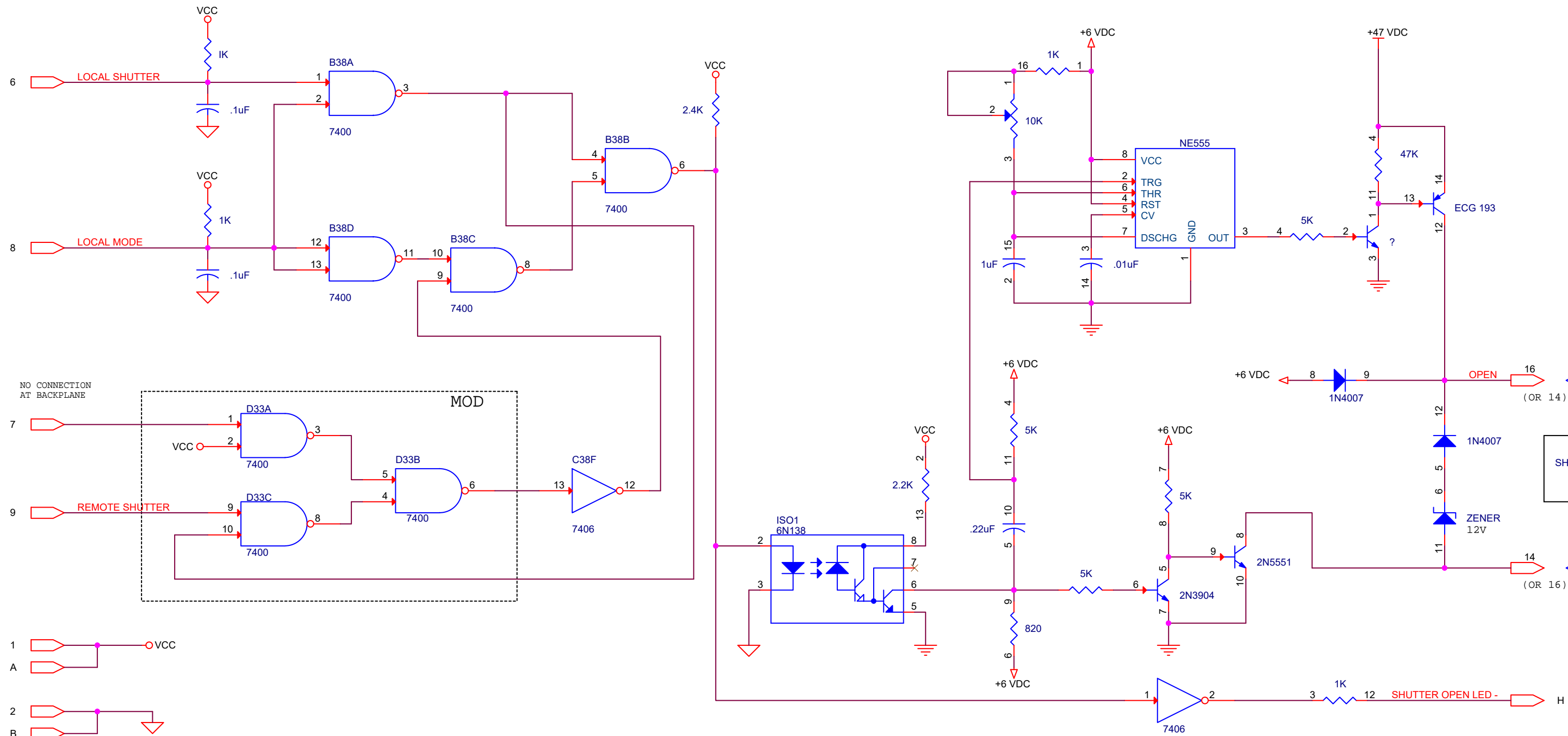
LAMP CONTROL CHANNELS 1 THRU 6

	A	B	C	D
CHANNEL 1	6	7	H	8
CHANNEL 2	J	K	10	L
CHANNEL 3	11	12	N	13
CHANNEL 4	P	R	15	5
CHANNEL 5	16	17	U	18
CHANNEL 6	V	W	20	X



BASED ON A DRAWING ORIGINALLY  
MADE BY LEE ULRICKSON  
10/27/83

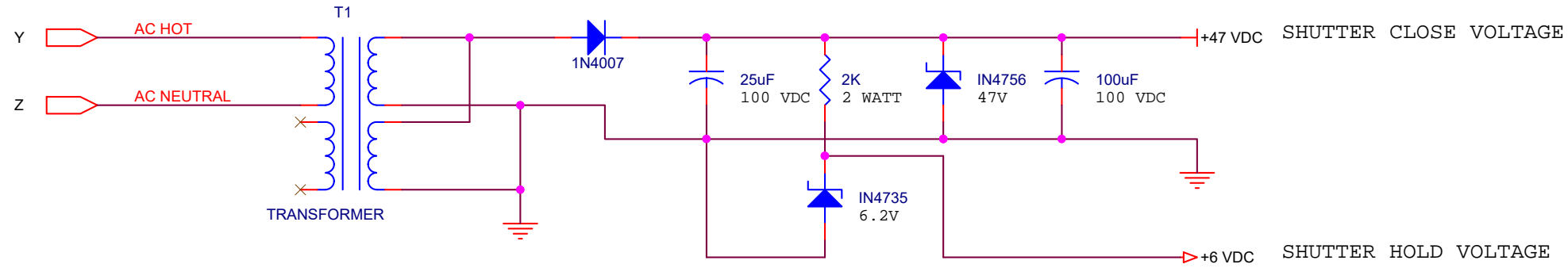
<b>STEWART OBSERVATORY KITTE PEAK 90" TELESCOPE</b>		
<b>Title</b> B&C LAMP and MIRROR CONTROL BOARD		
<b>Size</b> B	<b>Document Number</b>	<b>Rev</b> A
<b>Date:</b> Wednesday, May 31, 2017		<b>Sheet</b> 2 of 3



**THIS CIRCUIT IS NO LONGER USED - REPLACED BY A EXTERNAL MELLES GRIOT SHUTTER DRIVER**

NOTE: THERE'S MORE CIRCUITRY ON THIS BOARD INCLUDING ANOTHER POWER SUPPLY THAT ISN'T SHOWN HERE.

BASED ON A DRAWING ORIGINALLY MADE BY LEE ULRICKSON 10/27/83



<b>STEWART OBSERVATORY KITTE PEAK 90" TELESCOPE</b>		
Title <b>B&amp;C - SHUTTER DRIVE BOARD</b>		
Size B	Document Number	Rev A
Date:	Wednesday, May 31, 2017	Sheet 3 of 3