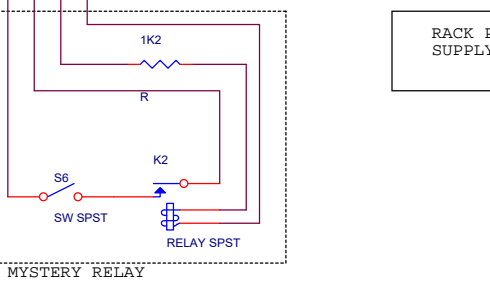
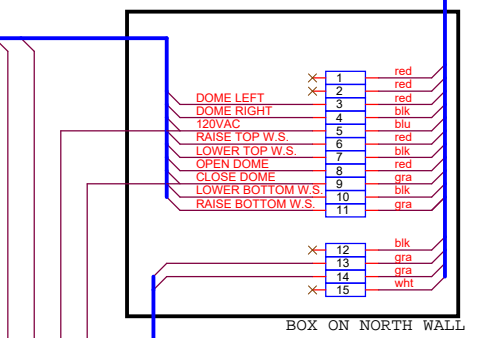
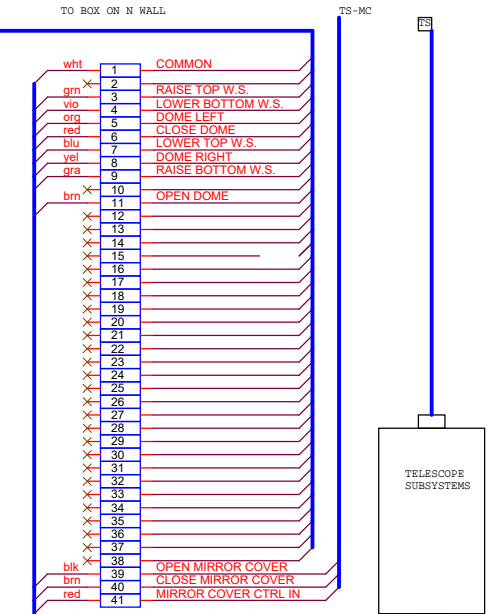


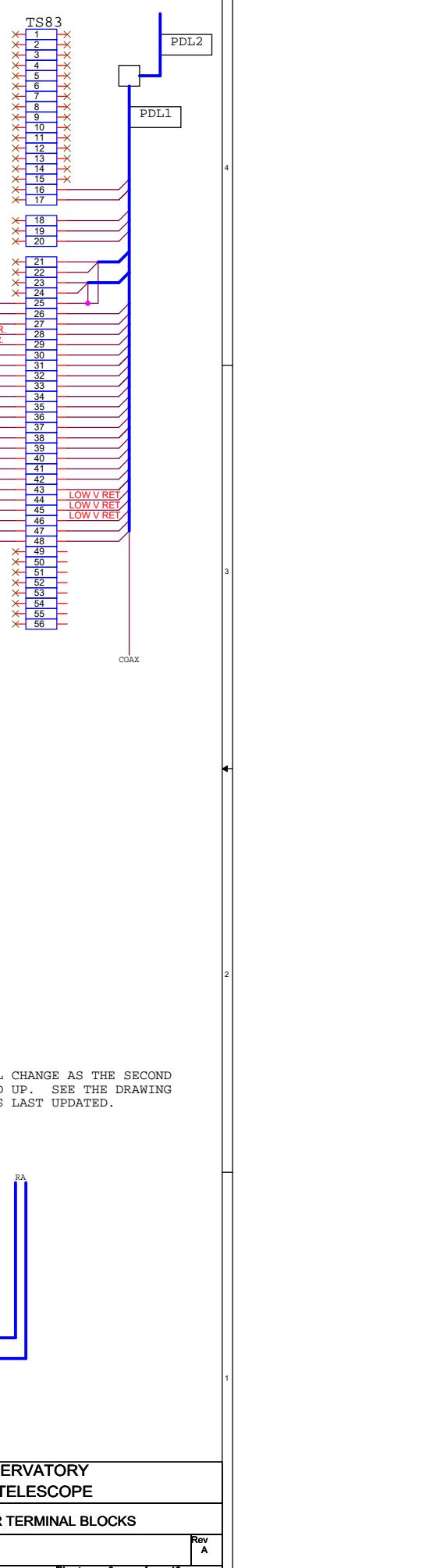
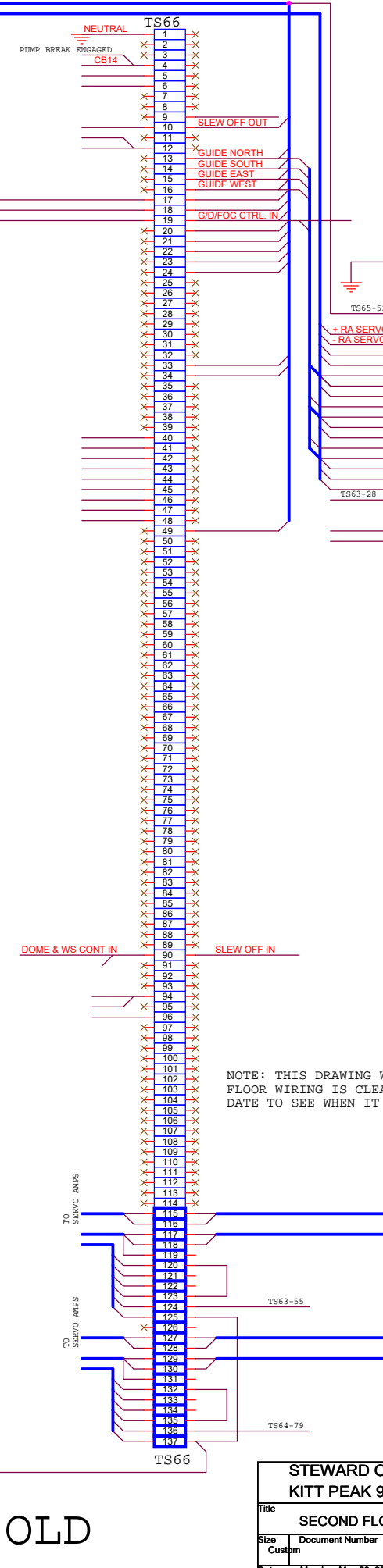
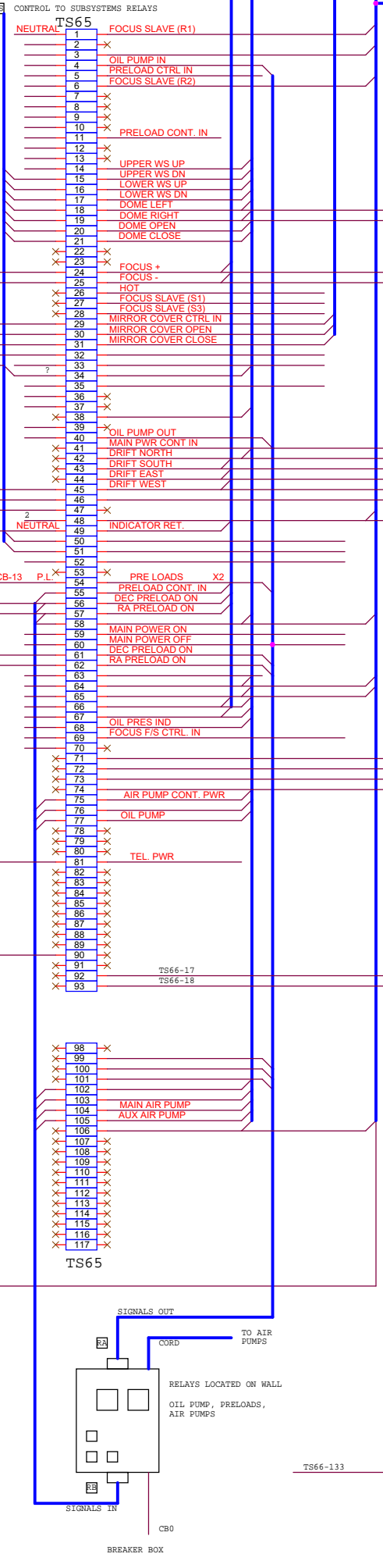
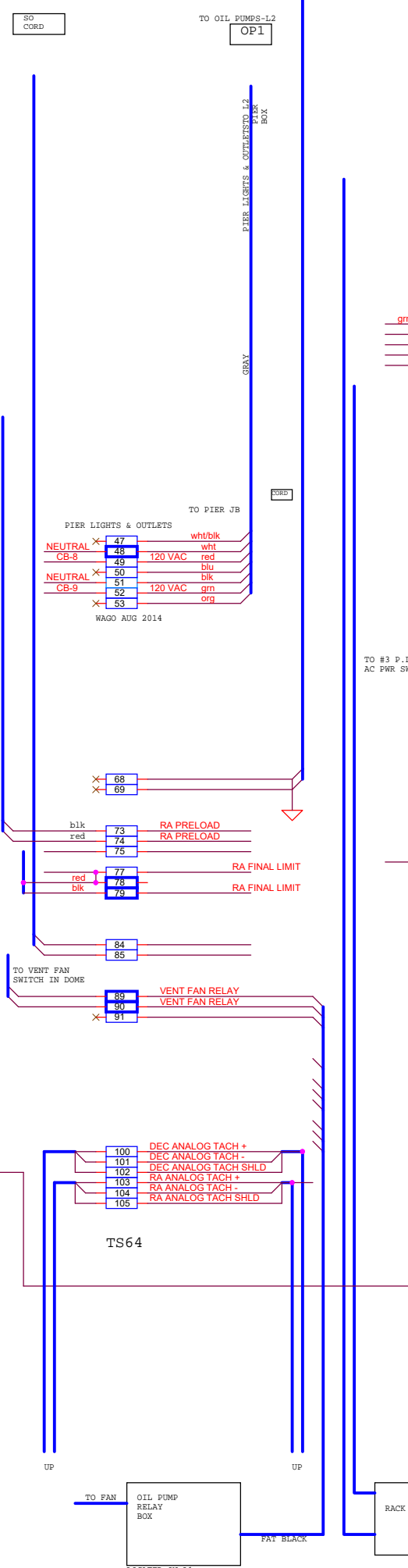
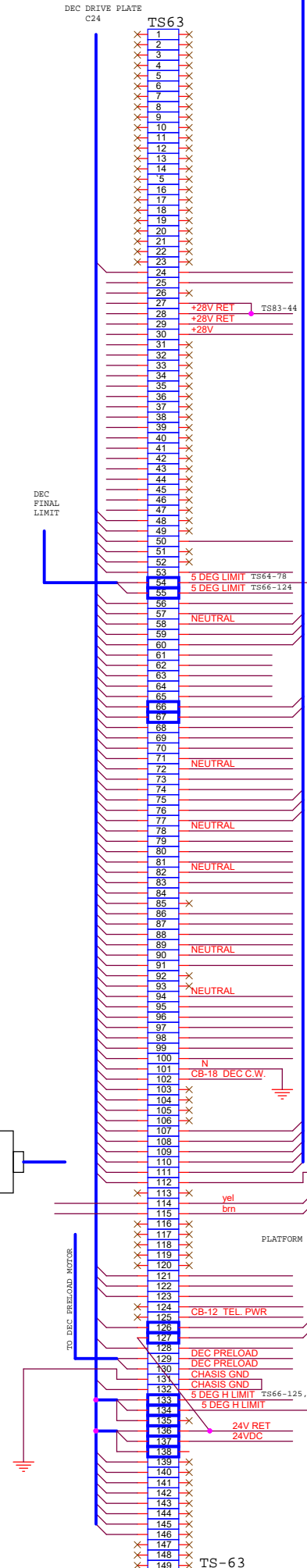
THESE TERMINAL BLOCKS ARE LOCATED ON THE 2ND FLOOR ON THE WEST WALL.

STEWART OBSERVATORY		
KITT PEAK 90" TELESCOPE		
Title		
24VDC POWER		
Size B	Document Number	Rev A
Date:	Monday, May 29, 2017	Sheet 1 of 12

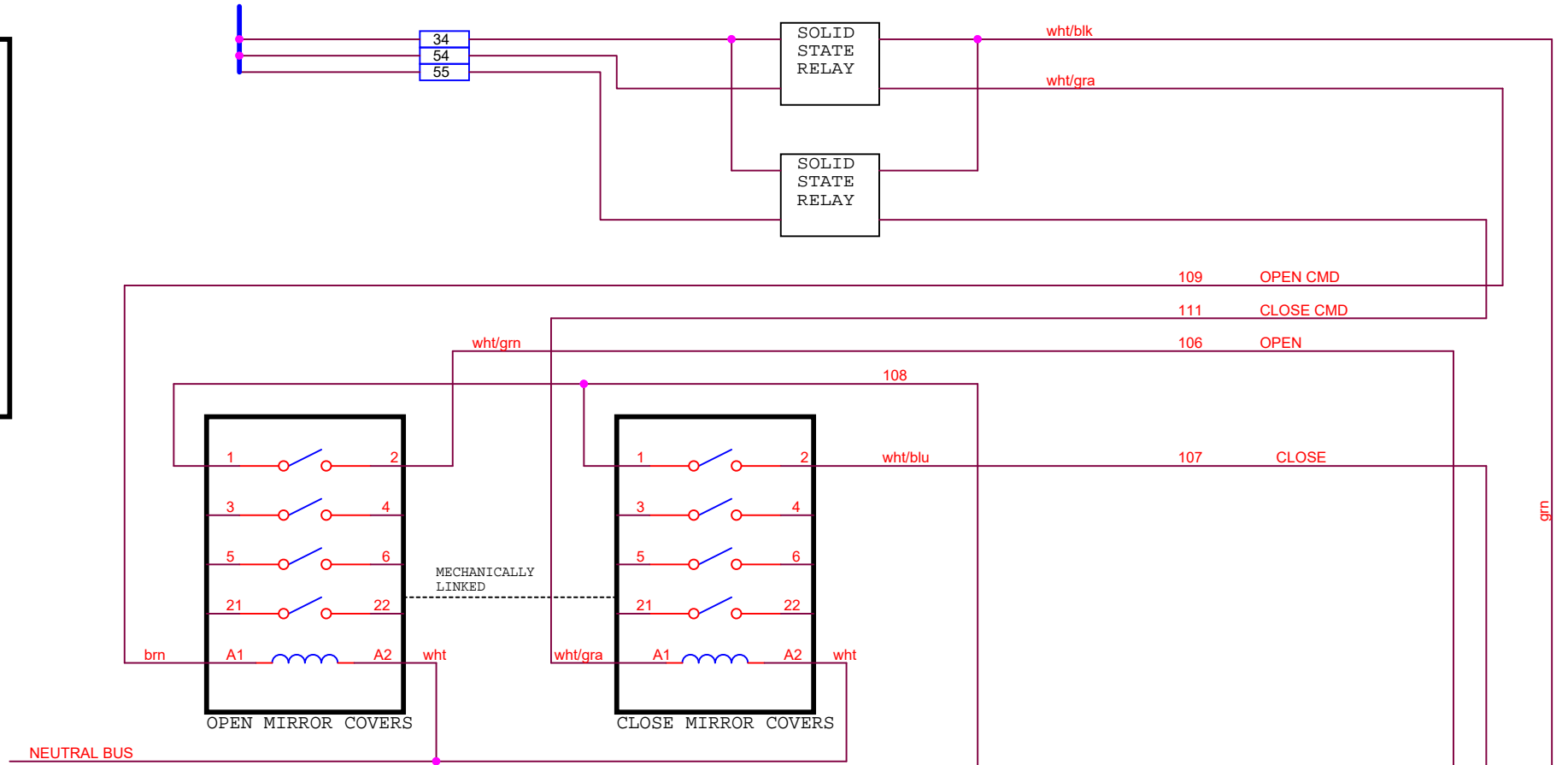
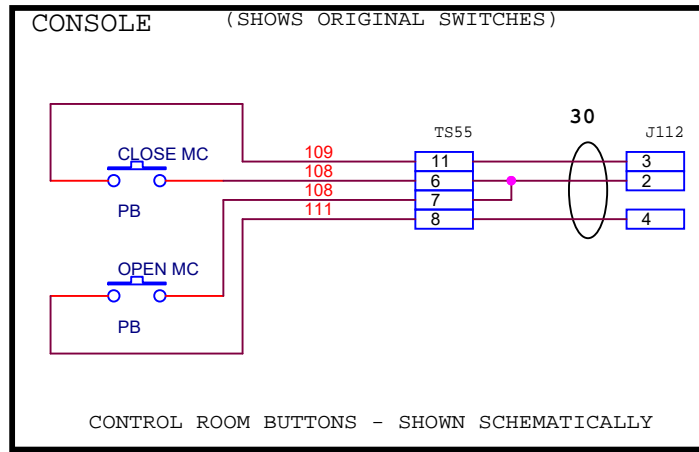
TS 82 (GONE)



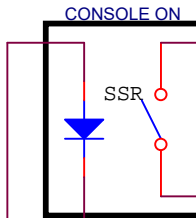
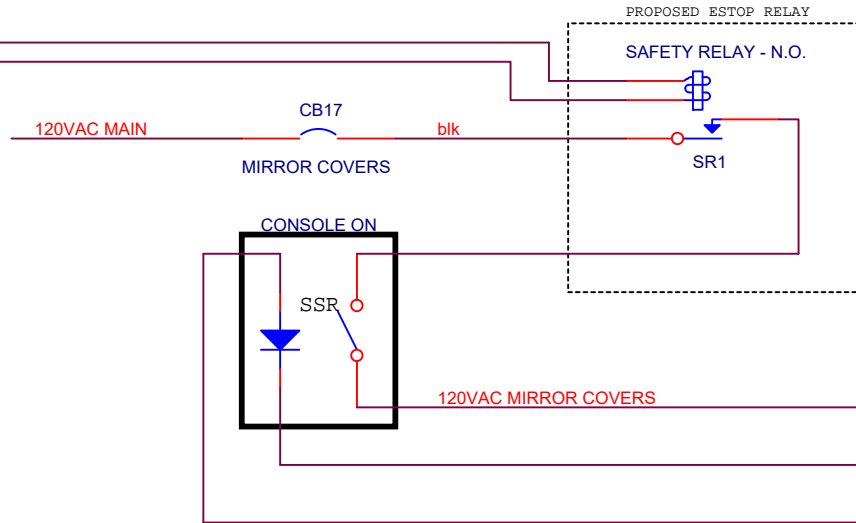
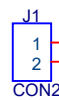
NEUTRALS		
TS-63	TS-64	TS-65
101	48	1
	50	49
	51	
	71 n.c.	
	93	



OLD



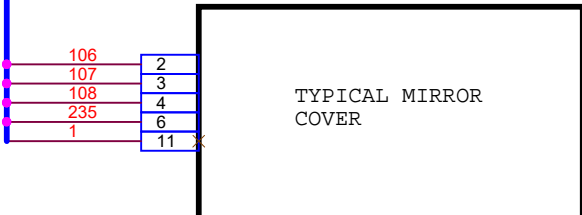
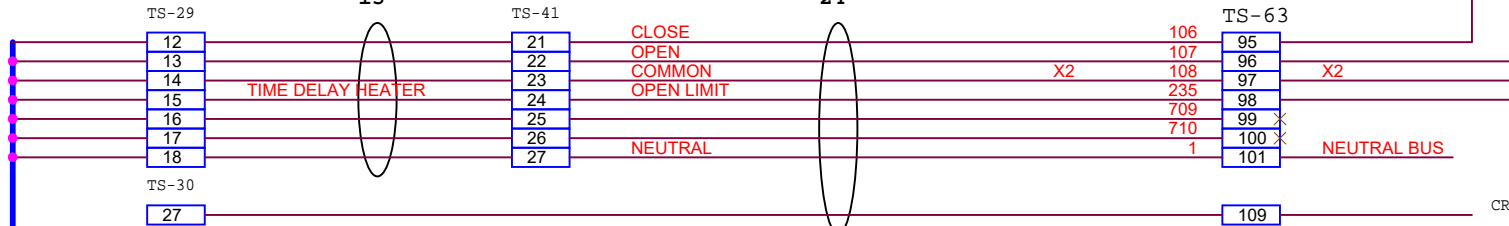
FROM ESTOP SYSTEM



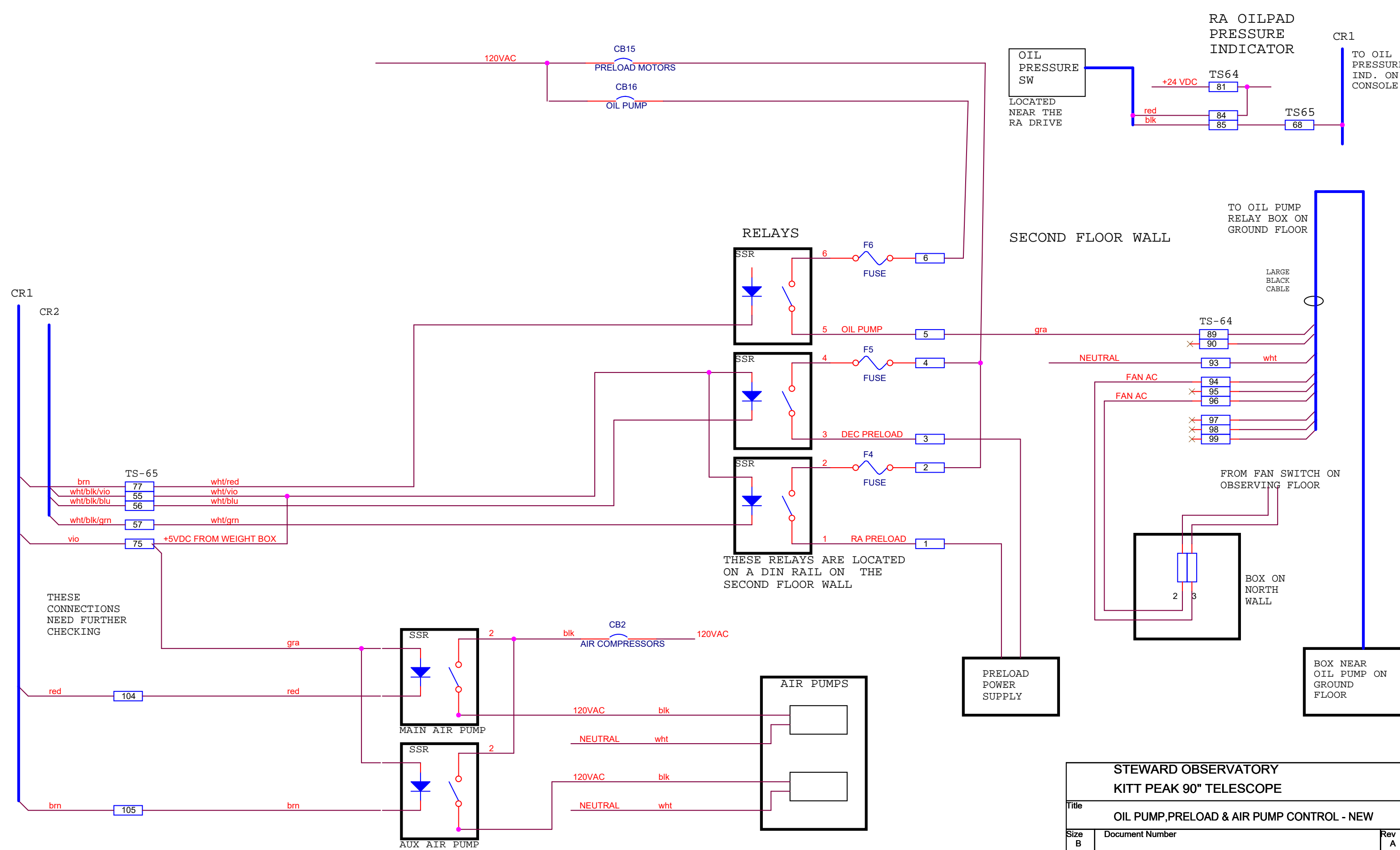
S. TUBE J-BOX

DEC DRIVE PLATE

24 RA1 - LARGE, WHITE



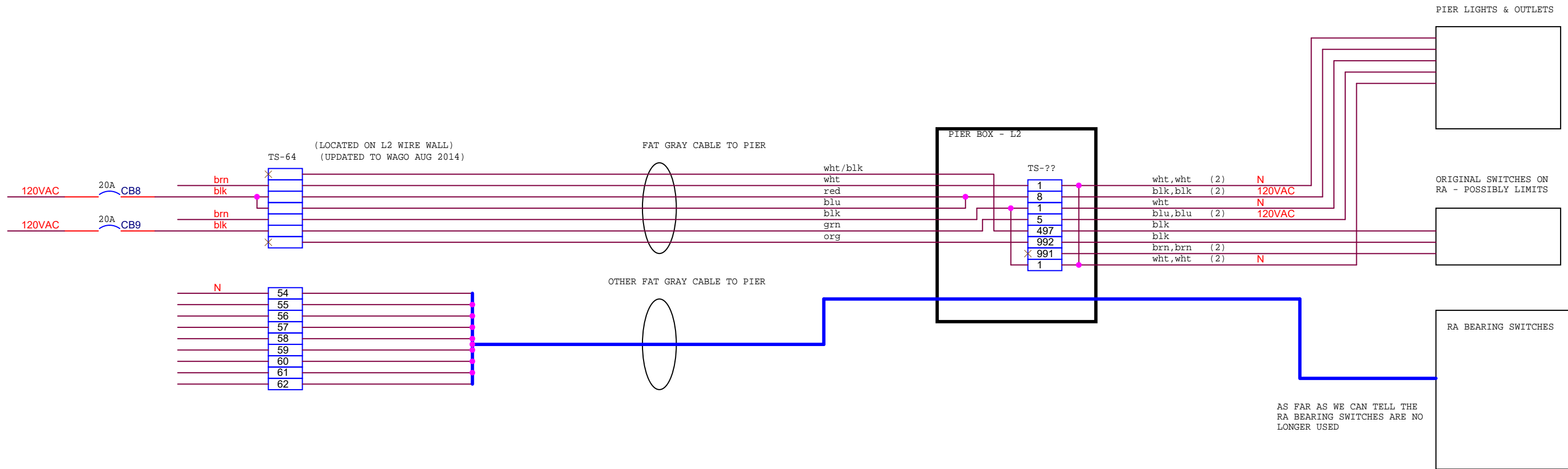
STEWART OBSERVATORY		
90 INCH TELESCOPE		
Title REVISED MIRROR COVER SYSTEM		
Size Custom	Document Number	Rev A
Date: Monday, May 29, 2017	Sheet 4 of 12	



THESE CONNECTIONS NEED FURTHER CHECKING

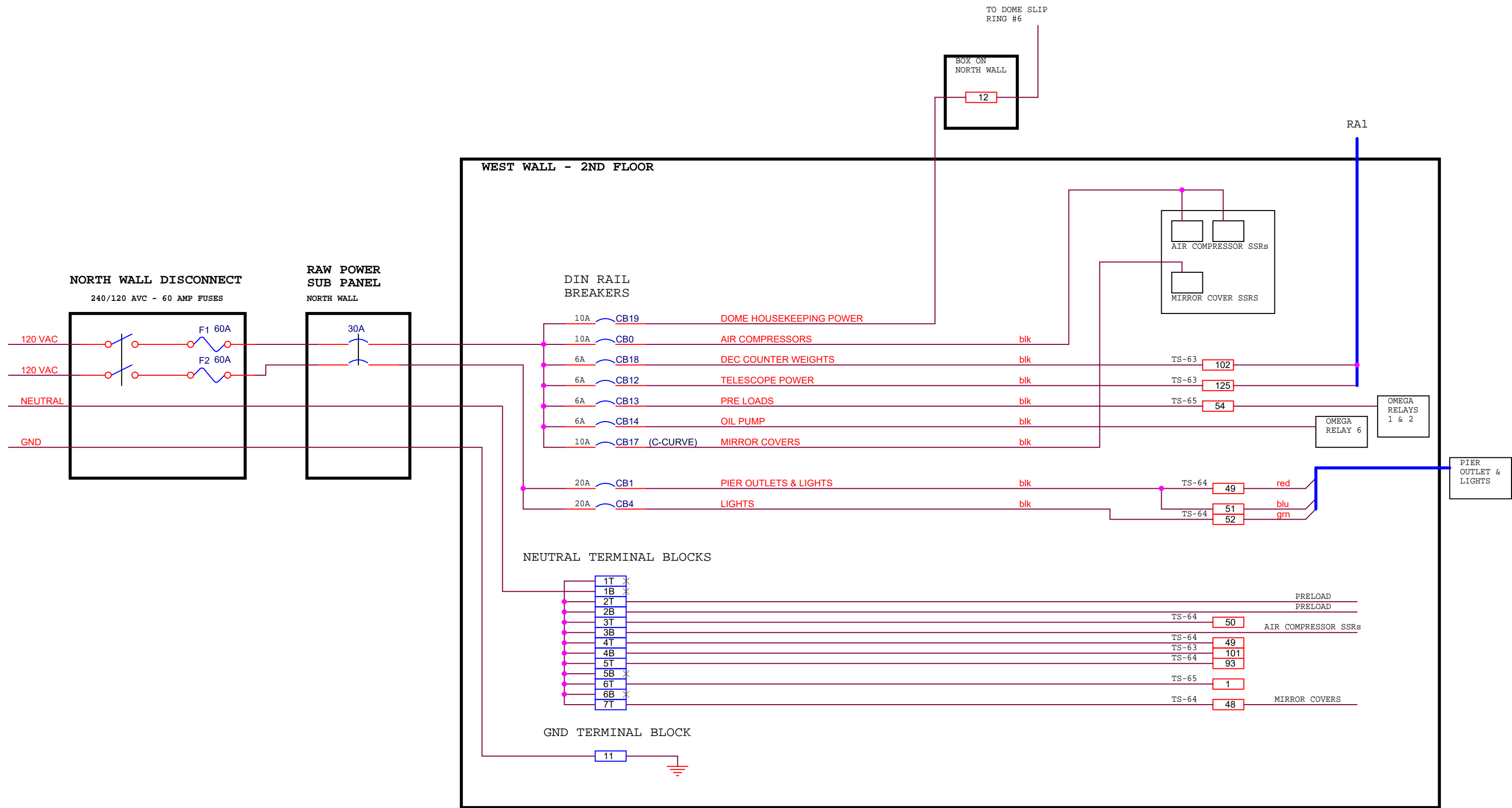
THESE RELAYS ARE LOCATED ON A DIN RAIL ON THE SECOND FLOOR WALL

STEWART OBSERVATORY KITT PEAK 90" TELESCOPE		
Title OIL PUMP, PRELOAD & AIR PUMP CONTROL - NEW		
Size B	Document Number	Rev A
Date:	Monday, May 29, 2017	Sheet 5 of 12

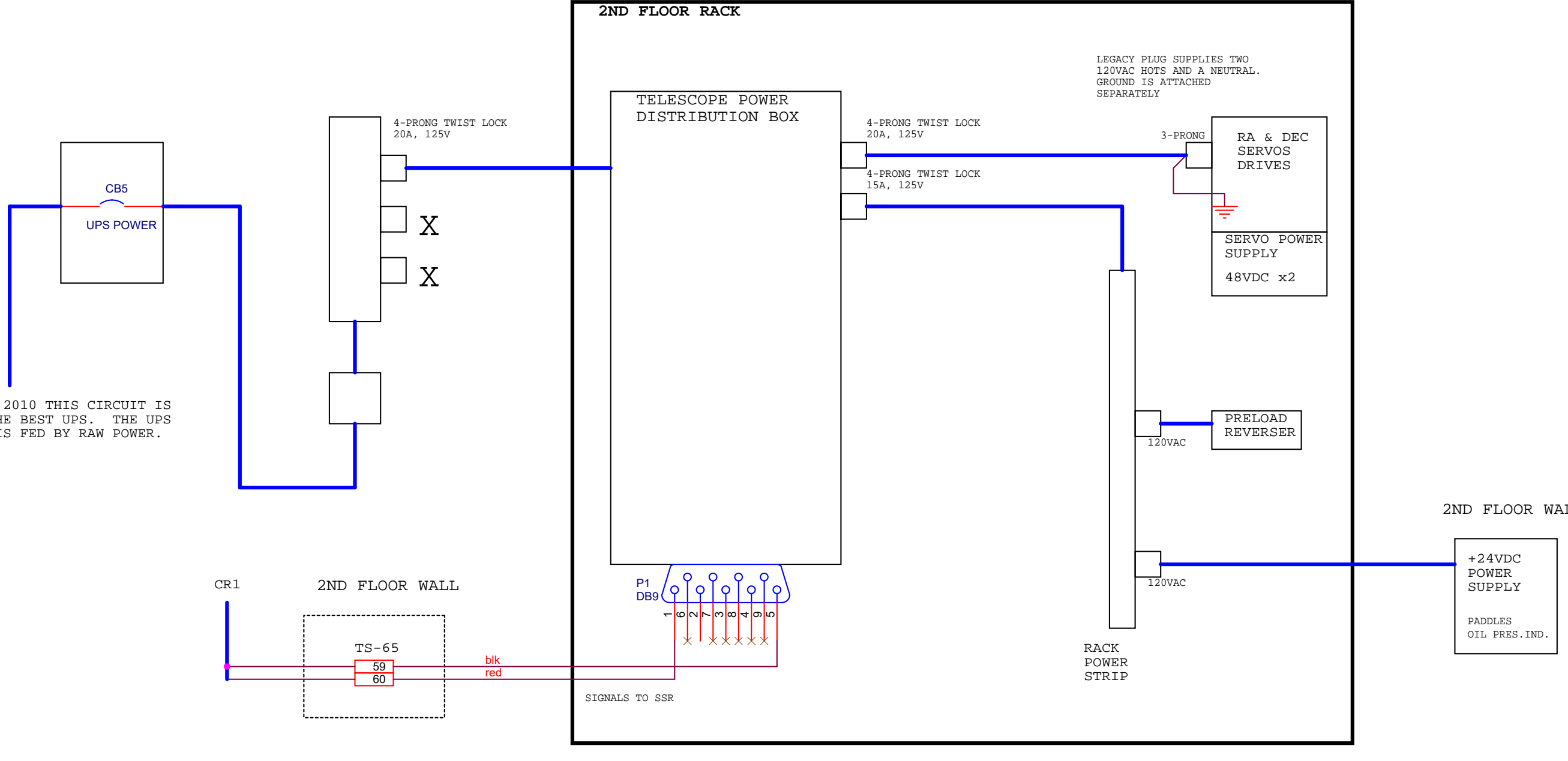


CB-8 & CB-9 FEED LIGHTS & OUTLETS IN THE PIER

STEWARD OBSERVATORY		
KITT PEAK 90" TELESCOPE		
Title		
PIER WITING - LIGHTS & OUTLETS		
Size	Document Number	Rev
B		A
Date:	Monday, May 29, 2017	Sheet 7 of 12
		E



STEWART OBSERVATORY		
KITT PEAK 90" TELESCOPE		
Title		
2ND FLOOR RAW POWER BREAKERS - DIN RAIL		
Size	Document Number	Rev
B		A
Date:	Monday, May 29, 2017	Sheet 8 of 12



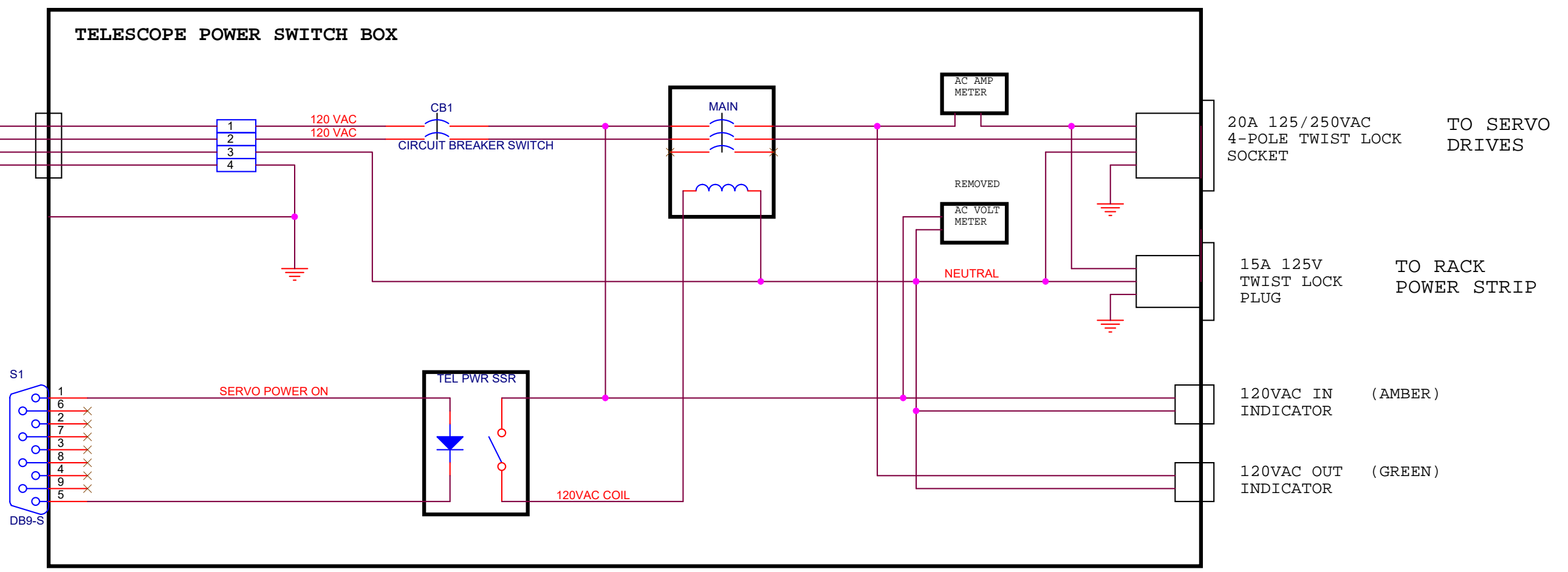
NOTE: AS OF SUMMER 2010 THIS CIRCUIT IS NO LONGER FED BY THE BEST UPS. THE UPS IS BYPASSED SO IT IS FED BY RAW POWER.



STEWART OBSERVATORY		
KITTE PEAK 90" TELESCOPE		
Title TELESCOPE POWER DISTRIBUTION ON 2ND FLOOR		
Size B	Document Number	Rev A
Date:	Monday, May 29, 2017	Sheet 9 of 12

20A 125/250VAC
4-POLE TWIST LOCK
PLUG FROM RAW POWER
OUTLET. FED FROM
BREAKER 5/6.

TELESCOPE POWER
CONTROL SIGNAL
FROM CONTROL ROOM



THIS BOX IS LOCATED IN A
RACK ON THE SECOND FLOOR
ABOVE THE SERVO AMPS.

IT'S FED FROM A 20 AMP BREAKER IN THE
UPS BREAKER PANEL ON THE NORTH WALL.

STEWART OBSERVATORY		
90 INCH TELESCOPE		
Title TELESCOPE POWER SWITCH BOX		
Size B	Document Number	Rev A
Date:	Monday, May 29, 2017	Sheet 10 of 12

