

PS430 Power Supply

PS430

Power Supply
4 amps, 30 VDC

Features

- 30 VDC 4 amp unregulated motor supply
- 5 VDC $\pm 5\%$ 500 mA regulated logic power supply
- fuse protected outputs
- screw terminal AC input connector
- 120 or 240 VAC, 50-60 Hz
- power on LEDs
- screw terminal connectors
- made in USA
- ideal for use with A.M.P. step motor drives: 1335, 2035, 2035 O, 3535, 3535 O, 3540 M, 3540 MO
- includes mounting holes for 057A oscillator/interface and one 2035, 2035 O, 3535, 3535 O, 3540 M or 3540 MO drive on side panel

Description

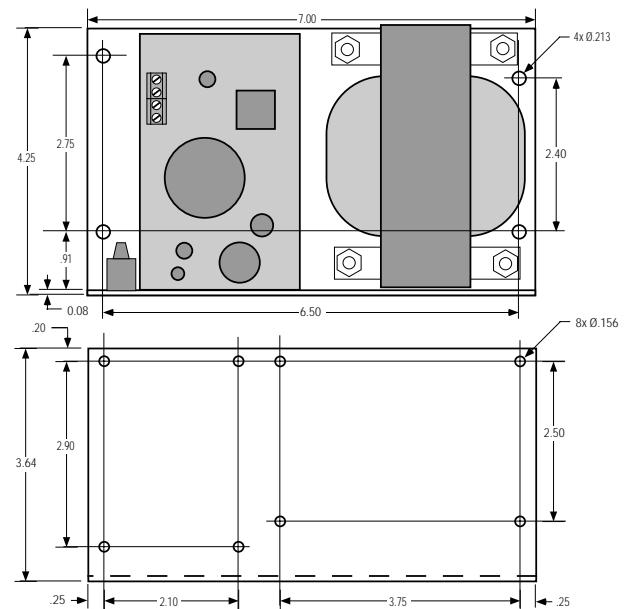
The PS430 is a linear, unregulated DC power supply designed for use with Applied Motion's step motor chopper drives model numbers 2035, 2035 O, 3535, 3535 O, 3540 M and 3540 MO. The PS430 can also be used with the 5560, 7080 or 7080i drive in applications not requiring maximum power.

The PS430 provides the user with a precise, well-regulated 5 VDC power source for logic circuitry.

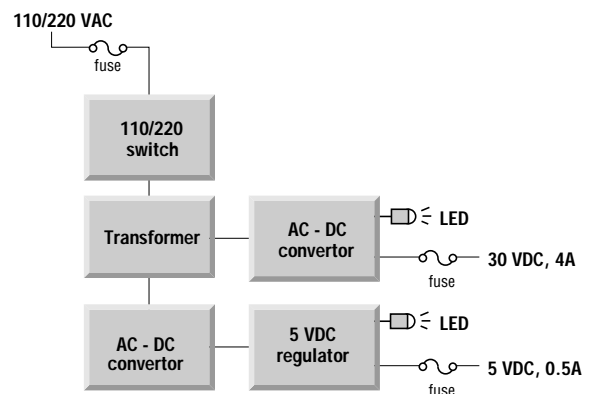
This power supply is available as a PC board and transformer mounted on an aluminum angle chassis.



MECHANICAL OUTLINE



BLOCK DIAGRAM



PS1050

Power Supply
10 amps, 50 VDC

Features

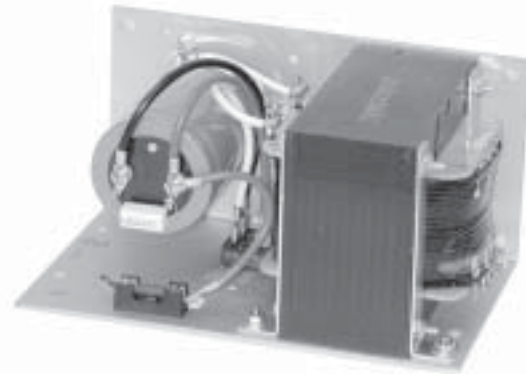
- Input Voltage: 108–264 VAC
- Output Voltage: 50 VDC nominal
- Typical Output Voltage:
 - 56.6V no load
 - 52.8V at 5 amps
 - 48.8V at 10 amps
- Output Current: 10 amps max, continuous
- Input Frequency: 47–63 Hz
- Max Ambient Temp: 55°C
- Filter Capacitor: computer grade (long life)
- Rectifier Bridge: 50 amp, 200 volt
- Output Voltage Ripple: 3% rms max at nominal AC line voltage
- Weight: 19 pounds
- Made in USA

Description

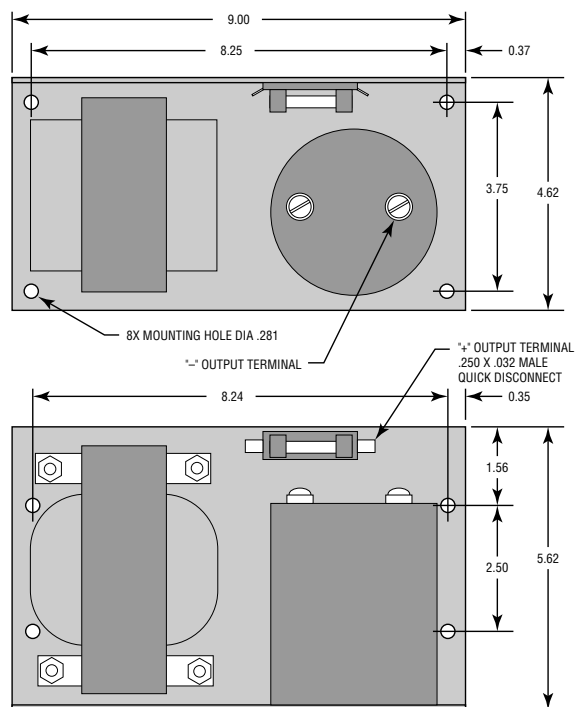
The PS1050 is a heavy duty linear, unregulated power supply. It is an ideal power source for Applied Motion's 5560, 7080 and 7080i series step motor drives, combining over 500 watts of output power and outstanding reliability.

The PS1050 provides isolation from the AC line and is fused for safety.

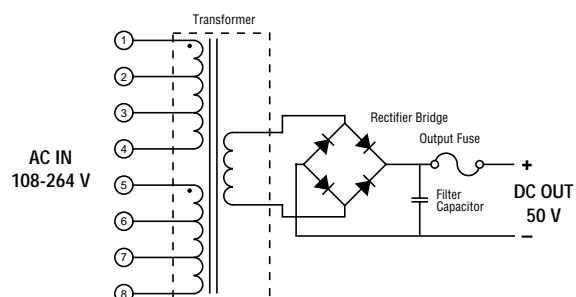
The PS1050 is constructed on an open frame aluminum chassis.



MECHANICAL OUTLINE



BLOCK DIAGRAM



PS1070 Power Supply

PS1070

Power Supply
10 amps, 70 VDC

Features:

- Provides up to 10 Amperes of DC power for open frame step and servo motor drives and indexers.
- Operates from 108-132 VAC or 216-264 VAC, 50/60 Hz
- Sturdy metal frame design
- Unregulated fused output
- Provides power for 2 7080 drives, set at 7.0 Amps per phase, and 2 5042-022 motors, windings connected in parallel, full or microstepping.
- Designed to meet European safety standards.

Description:

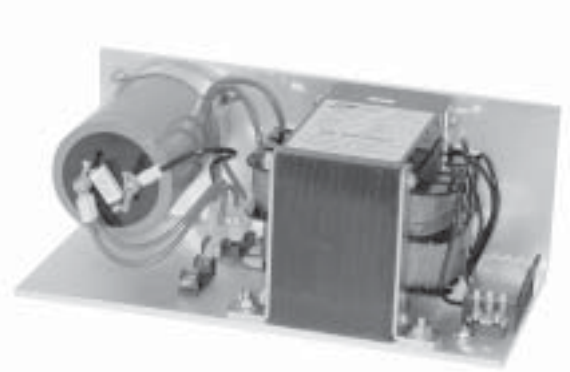
The PS1070 is a 670 watt open frame power supply designed to operate multiple DC input stepping or servo motor drives such as the Applied Motion's 7080/7080i Stepper drives and BL7080X/BL7080i Servo drives.

Applied Motion's PS1070 has a single 70 VDC nominal output and may be operated from either 110 or 220 AC, 50/60 Hz source. Input voltage is selected via jumpers on the power supply terminal strip.

PS1070 Specifications:

Output

- 67 VDC with 120 VAC line and 10 Amp. Full Load: 670 watts.
- Minimum Voltage: 50.5 at Low Line and Full Load.
- Maximum Voltage: 86 at High Line and No Load.
- Maximum Ripple: 2.0V peak-to-peak at Full Load.
- Connections:
Positive Voltage – .25" faston on fuse holder.
Negative Voltage – .25" faston on filter capacitor.



Input

- 115/230 volts 50/60 Hz to be fused by user.
- 8/4 amp (755 watts).
- Suggested fuse 10/5 amps slo-blo.
- Voltage selected by terminal strip jumpers.
- Low Line: 108/216 Volts AC.
- High Line: 132/264 Volts AC.
- Connections: Barrier strip with screw terminals.
- Open frame construction.
- Size: 5.75" X 12" X 4.57" High.
- Mounting: 4 each .28" Dia. Holes on 4.37" X 11.0" Centers.
- Weight: 23.8 lbs.

Environmental

- Maximum Operating Ambient Temperature: 50°C.
- Power Supply Derating: 0.2A/°C above 35°C ambient.

MECHANICAL OUTLINE

