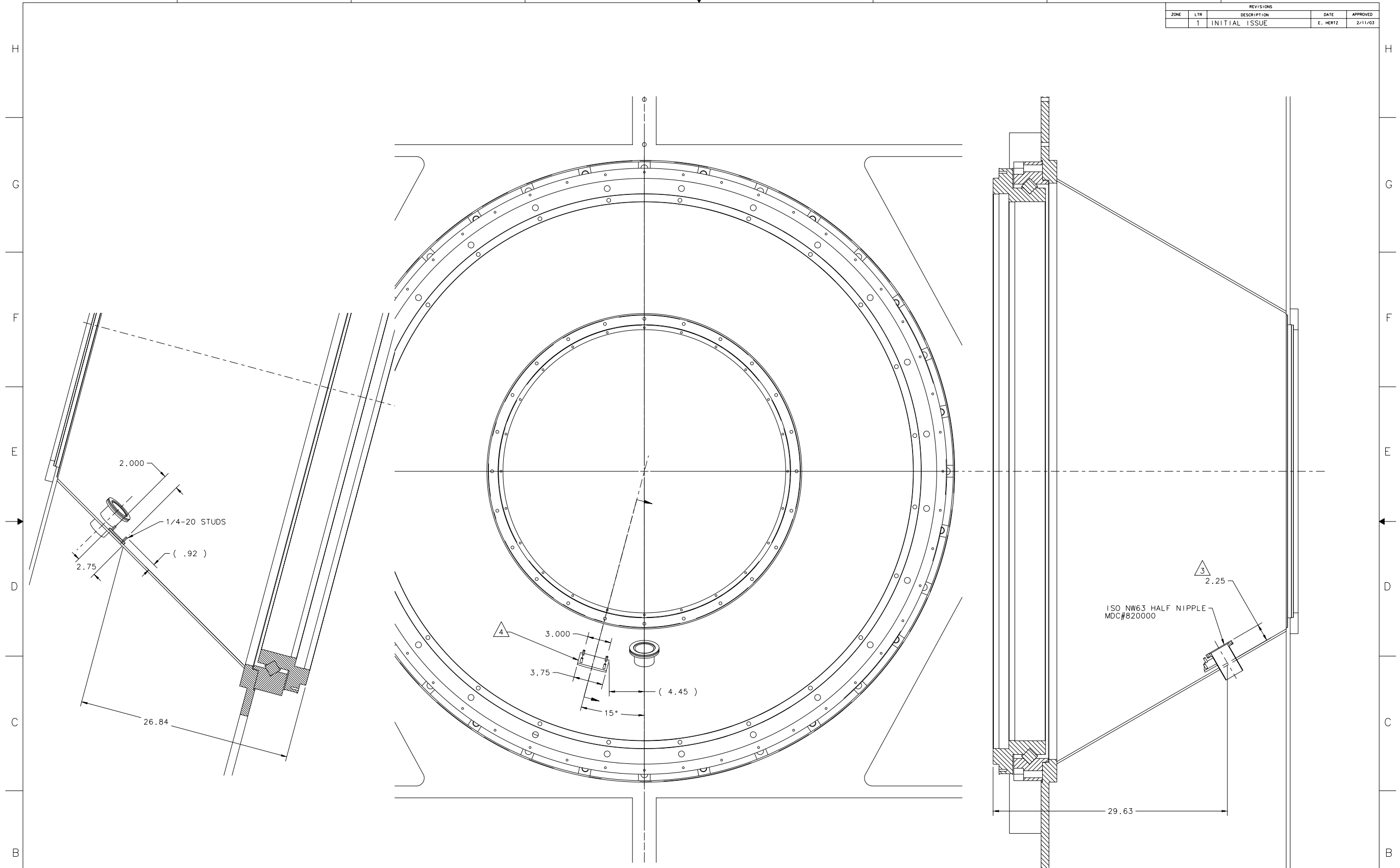


REVISIONS				
ZONE	LTR	DESCRIPTION	DATE	APPROVED
1		INITIAL ISSUE	E. HERTZ	2/11/03



NORTH

NOTES:

- ① MATERIAL: N/A
- ② FINISH: N/A
- ③ THIS DIMENSION IS THE MAXIMUM ALLOWABLE PROTRUSION INTO THE PRIMARY MIRROR SUPPORT CONE WITHOUT INTERFERING WITH THE f5 WAVEFRONT SENSOR AND f5 CORRECTOR ASSEMBLY.
- ④ THIS PLATE REQUIRED FOR MOUNTING THE f5 WAVEFRONT SENSOR CABLE AND HOSE CARRIER BRACKET.

REMOVE BURRS AND BREAK SHARP EDGES		DR W. HONSA DATE 2/11/03	CHK E.H. DATE 2/11/03	SMITHSONIAN ASTROPHYSICAL OBSERVATORY CENTRAL ENGINEERING CAMBRIDGE, MA.	
UNLESS OTHERWISE SPECIFIED DIMENSIONS ARE IN INCHES		DSGN APPD DATE	ENGR APPD DATE	f5 WAVE FRONT SENSOR INTERFACE	
TOLERANCES ON FRACTIONS DECIMALS ANGLES		DSGN APPD DATE	ENGR APPD DATE	SIZE	CODE IDENT NO. DWG NO.
# .XX ± .01 * .25°		PROJ APPD DATE	E. HERTZ 2/11/03	E 50944	WFS2-400
MACH. FIN: 63		DATE	E. HERTZ 2/11/03	REV	1
MATERIAL: N/A		FIN: ②	CONTRACT	SCALE 1/4	IDEAS9m2 SHEET 1 OF 1