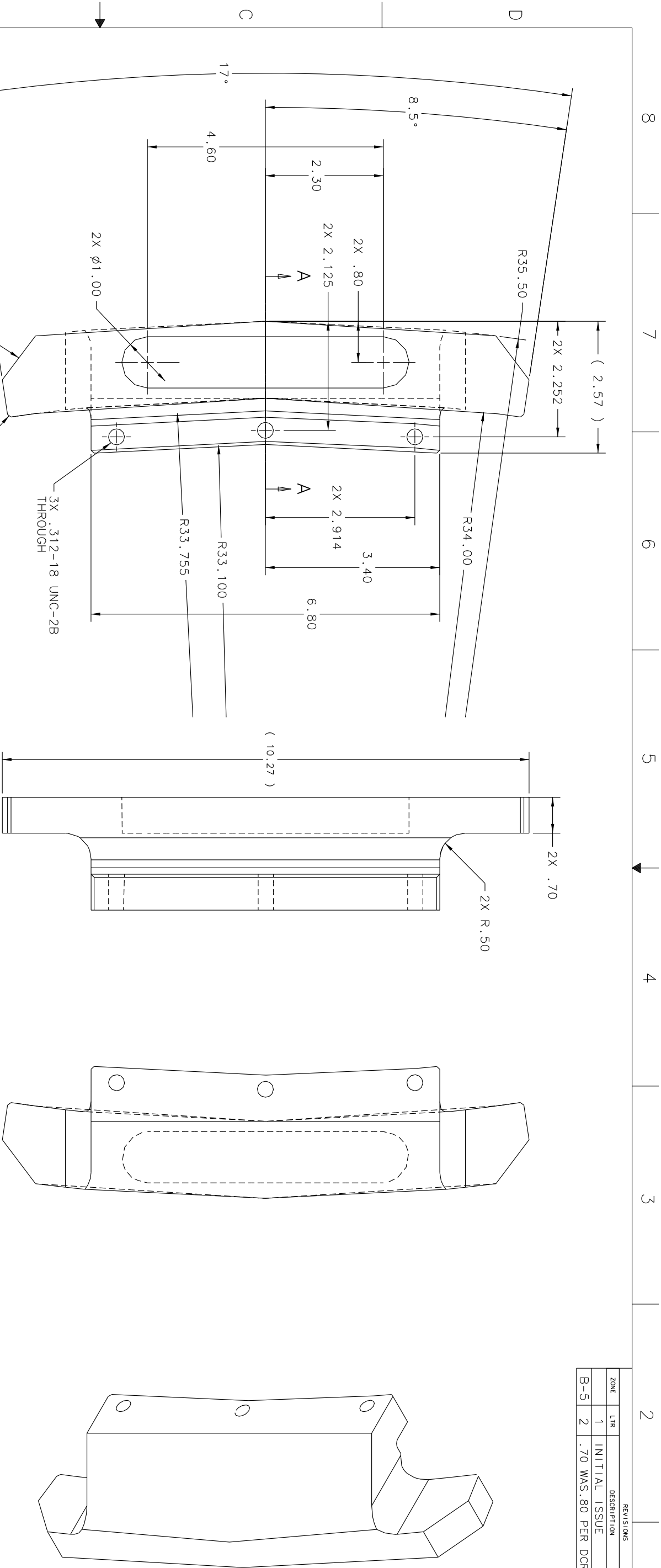


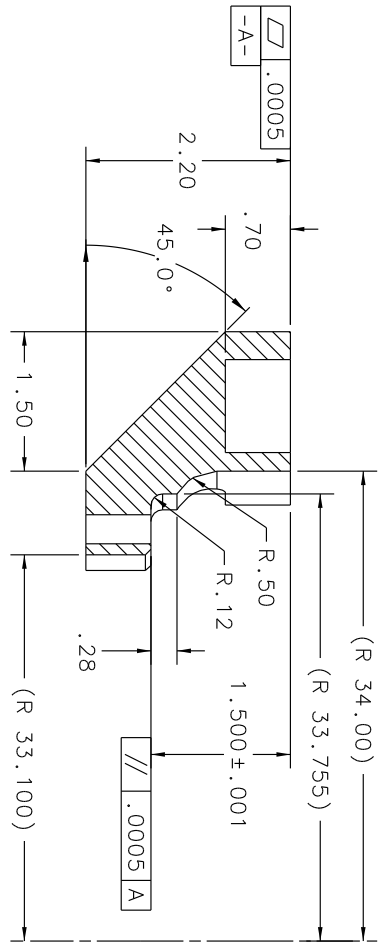
REVISIONS				
ZONE	LTR	DESCRIPTION	DATE	APPROVED
1	1	INITIAL ISSUE	10/23/02	MAM
B-5	2	.70 WAS .80 PER DCR#2	11/15/02	MAM



NOTES:

1 MATERIAL: TITANIUM, 6AL/4V

2 FINISH: VAPOR DEGREASE, BREAK ALL SHARP EDGES



SECTION A-A

REMOVE BURRS AND BREAK SHARP EDGES UNLESS OTHERWISE SPECIFIED DIMENSIONS ARE IN INCHES	DR. MAM DATE 10/23/02	CHK. MAM DATE 10/23/02	SMITHSONIAN ASTROPHYSICAL OBSERVATORY CENTRAL ENGINEERING CAMBRIDGE, MA.
TOLERANCES ON FRACTIONS DECIMALS ANGLES ± .XX ± .01 ± .25° ± .XXX ± .005	OSDN APPD DATE 10/23/02	ENGR APPD M MUELLER DATE 10/23/02	PLATFORM SUPPORT BRACKET
MACH. FIN: 63 MAT'L: A FIN: A	PROJ APPD E HERTZ DATE 10/23/02	CONTRACT	SIZE CODE IDENT. NO. DWG. NO. D 50944 WFS2-2006
NEXT ASSY X			SCALE 1/1 IDEAS V9 SHEET 1 OF 1