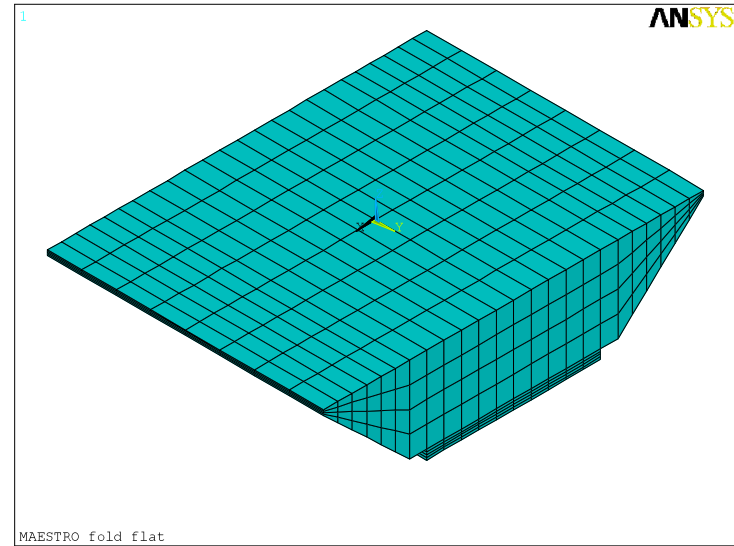


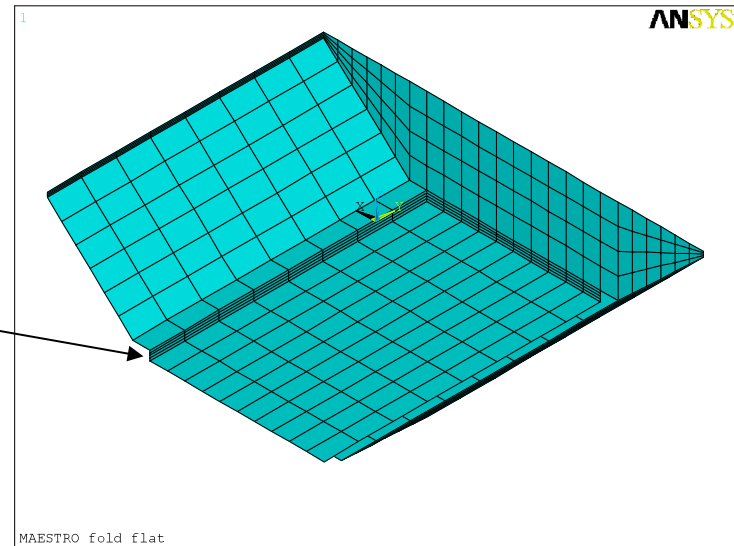
Maestro Fold Flat

Model Geometry

- Distortion after a 100 deg F temperature change is 2.4 nm-rms

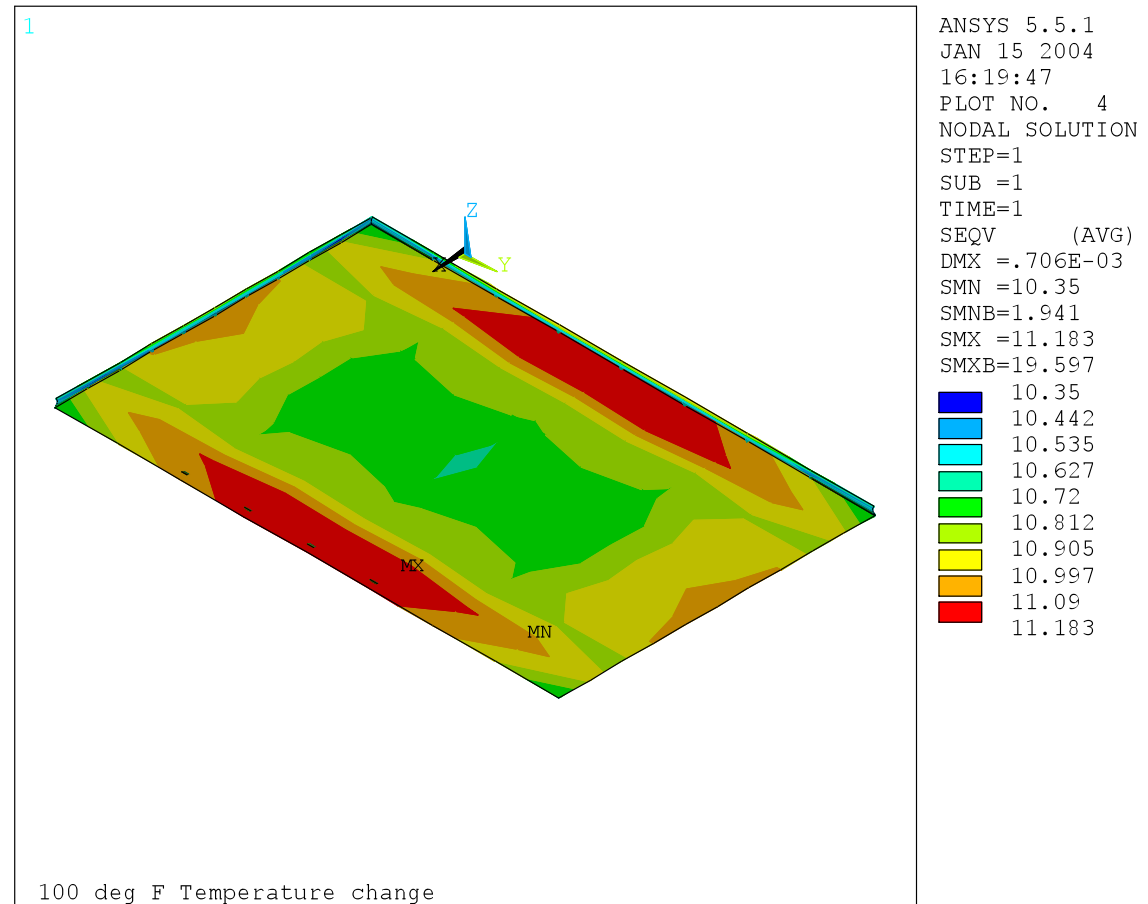


0.020" thick RTV bond.
GE RTV-630?



Elastomer Stress, 100 deg temperature drop

- Elastomer stresses are low after a 100 deg F temperature change.
- Fused Silica bonded to Invar 36



Gravity Deflections and Distortions

- Deflections on the 0.020" bond are small
- Tilts are:
 - 1 g X 0.74 μ -rad
 - 1 g Y 0.20 μ -rad
 - 1 g Z Zero
- Distortions are:
 - 1 g X 0.007 nm-rms surface
 - 1 g Y 0.005 nm-rms surface
 - 1 g Z 0.038 nm-rms surface

