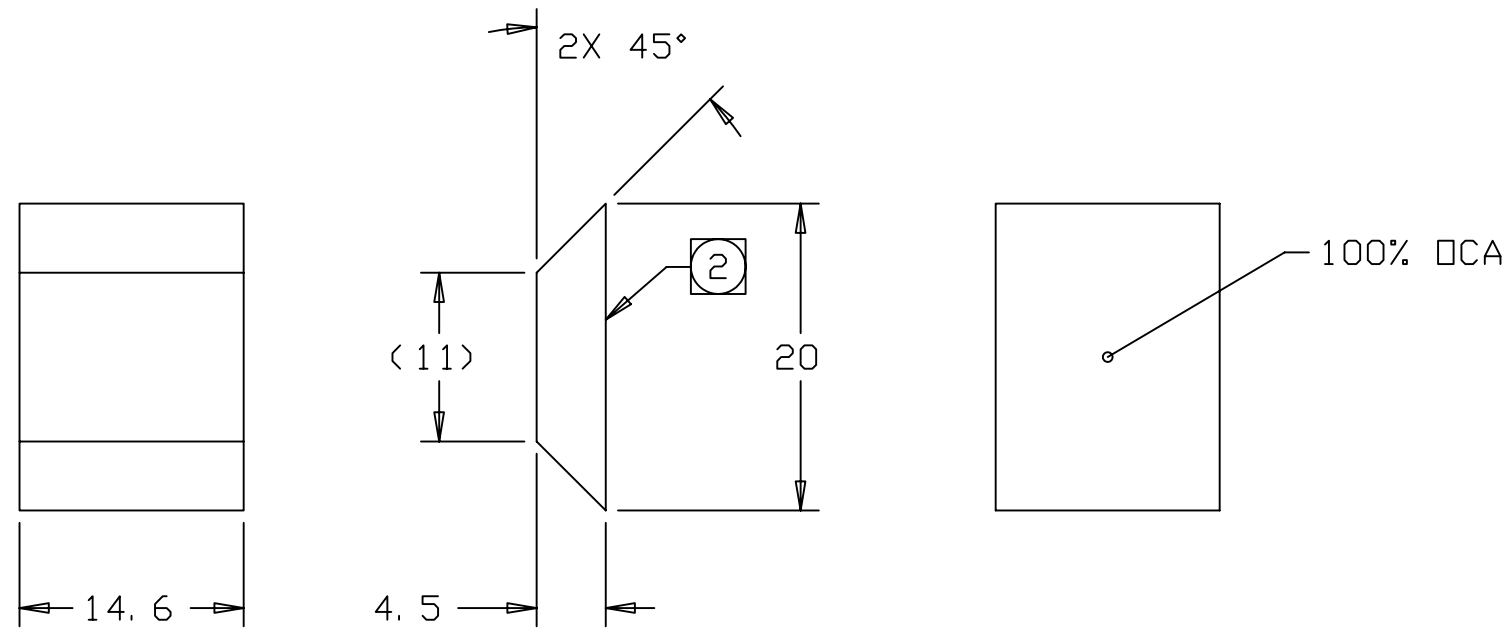


REVISIONS				
LTR	DESCRIPTION	DATE	REVISED BY	APPROVED
A	INITIAL RELEASE	1/13/04	R. NAGY	M. REED



NOTES:

- ① ALL DIMENSIONS ARE IN MILLIMETERS.
- ② SURFACE FINISH: UV ENHANCED PROTECTED ALUMINUM COATING.
COATED MIRROR SURFACE SPECIFICATIONS:

USED AT 45° ANGLE
 IRREGULARITY (wv) 0.125
 SURFACE QUALITY/SD 40/20
 WAVELENGTH RANGE USAGE 330nm-900nm

①

DO NOT SCALE DRAWING	THIS DRAWING CREATED IN:			Steward Observatory, University of Arizona 933 N. Cherry Avenue, Tucson, AZ 85721 (520)621-7659					
INTERPRET DIMENSIONS AND TOLERANCES IN ACCORDANCE WITH ASME Y14.5M-94	ACAD <input type="checkbox"/>	MECH <input type="checkbox"/>	IDEAS <input checked="" type="checkbox"/>	DESIGNED BY: M. REED/D. DEAN	DATE: 1/8/04	CATEGORY: MMT			
TOLERANCES UNLESS OTHERWISE SPECIFIED LINEAR ANGULAR .X = NA NA .XX = NA .XXX = NA DIAMETRICAL SEE SPEC S-002				DRAWN BY: R. NAGY	1/12/04	PROJECT: MAESTRO			
				CHECKED BY: M. REED	1/13/04	TITLE: FOLD MIRROR			
				APPROVED: M. REED	1/13/04				
				APPROVED:					
DIMENSIONS ARE IN INCHES / DIMENSIONS IN () ARE METRIC				APPROVED:		PLOT SIZE B	SCALE: 2/1	DRAWING NUMBER: 13530	REVISION: A
MATERIAL FUSED SILICA -OR- ZERODUR	-		MMT	NEXT ASSY	USED ON				
FINISH ②	ASSEMBLY APPLICATION			CURRENT TIME/DATE/FILE LOCATION:					
				DRAWING ARCHIVE LOCATION: http://davinci.as.arizona.edu/acad/default.html				SHEET 1 OF 1	