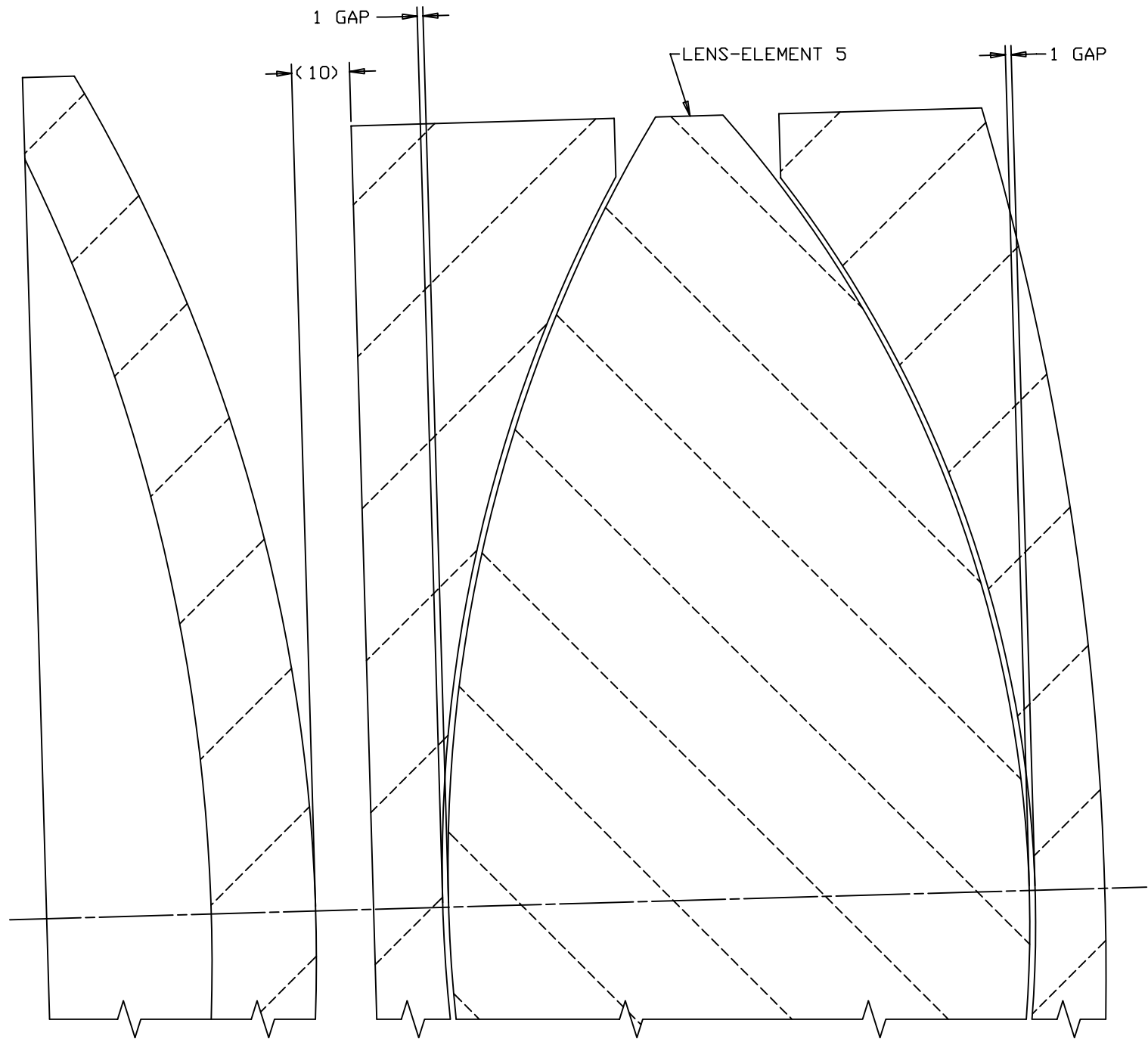
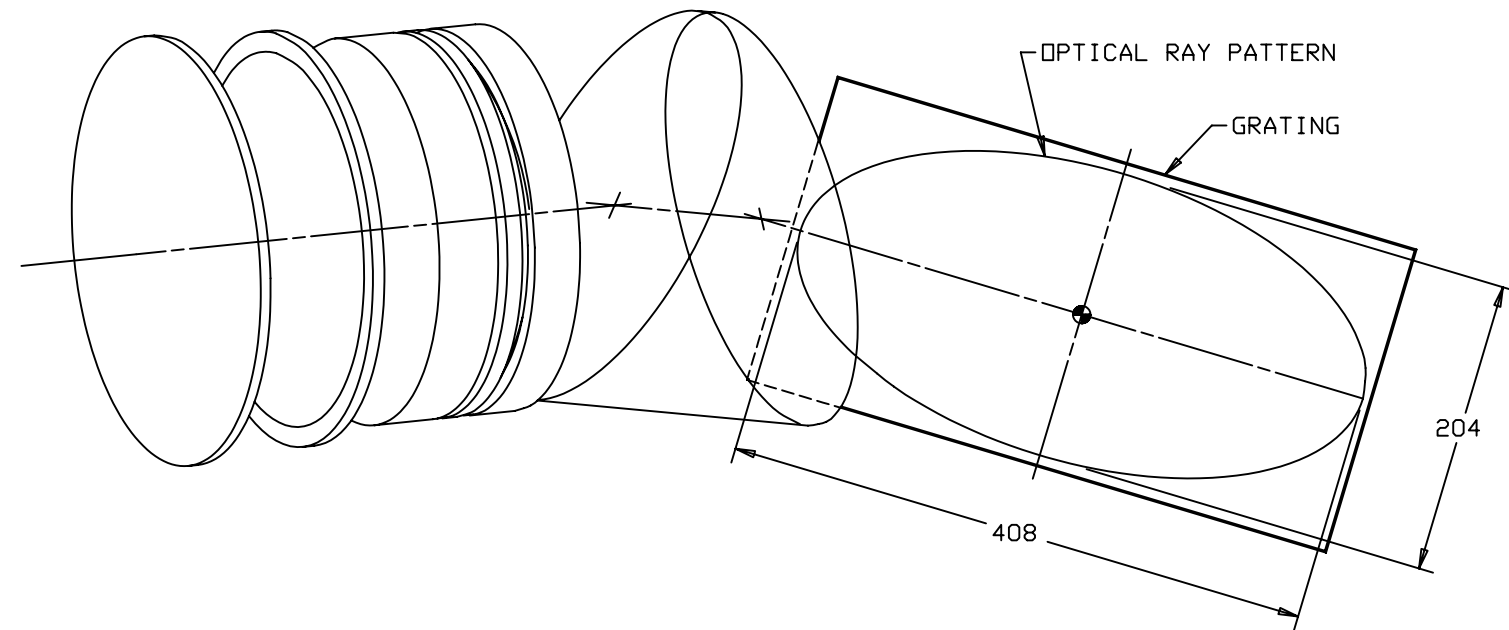


REVISIONS				
LTR	DESCRIPTION	DATE	REVISED BY	APPROVED
A	INITIAL RELEASE	4/29/03	R. NAGY	M. REED
B	RELOCATED DEWAR, GUIDE CAMERA, FOLD MIRROR & INJ OPTICS; ADDED DETECTORS; ASSIGNED PNs TO INJ OPTICS	6/24/03	R. NAGY	M. REED
C	VARIOUS ITEMS MOVED AND/OR REDESIGNED; ALL VIEWS REVISED; DIMS CHANGED IN DETs B & F	3/11/04	R. NAGY	M. REED



DETAIL G
(SHT 2)
SCALE 2/1



VIEW D-D
(SHT 2)
SCALE NTS
ROTATED TO TRUE SIZE & SHAPE OF GRATING

DO NOT SCALE DRAWING INTERPRET DIMENSIONS AND TOLERANCES IN ACCORDANCE WITH ASME Y14.5M-94		THIS DRAWING CREATED IN: ACAD <input type="checkbox"/> MECH <input type="checkbox"/> IDEAS <input checked="" type="checkbox"/>		Steward Observatory, University of Arizona 933 N. Cherry Avenue, Tucson, AZ 85721 (520)621-7659					
TOLERANCES UNLESS OTHERWISE SPECIFIED LINEAR .X = NA .XX = NA .XXX = NA ANGULAR NA DIAMETRICAL SEE SPEC S-002		DESIGNED BY: M. REED/D. DEAN DRAWN BY: R. NAGY CHECKED BY: D. DEAN/M. REED APPROVED: M. REED		DATE: 4/2/03 4/9/03 4/29/03 4/29/03	CATEGORY: MMT PROJECT: MAESTRO TITLE: OPTICAL SYSTEM				
MATERIAL: -		NEXT ASSY: -		USED ON: MMT		PLOT SIZE: D	SCALE: 1/20 & NOTED	DRAWING NUMBER: 12880	REVISION: C
FINISH: -		ASSEMBLY APPLICATION		CURRENT TIME/DATE/FILE LOCATION: DRAWING ARCHIVE LOCATION: http://devinci.as.arizona.edu/acad/default.html				SHEET 5 OF 5	