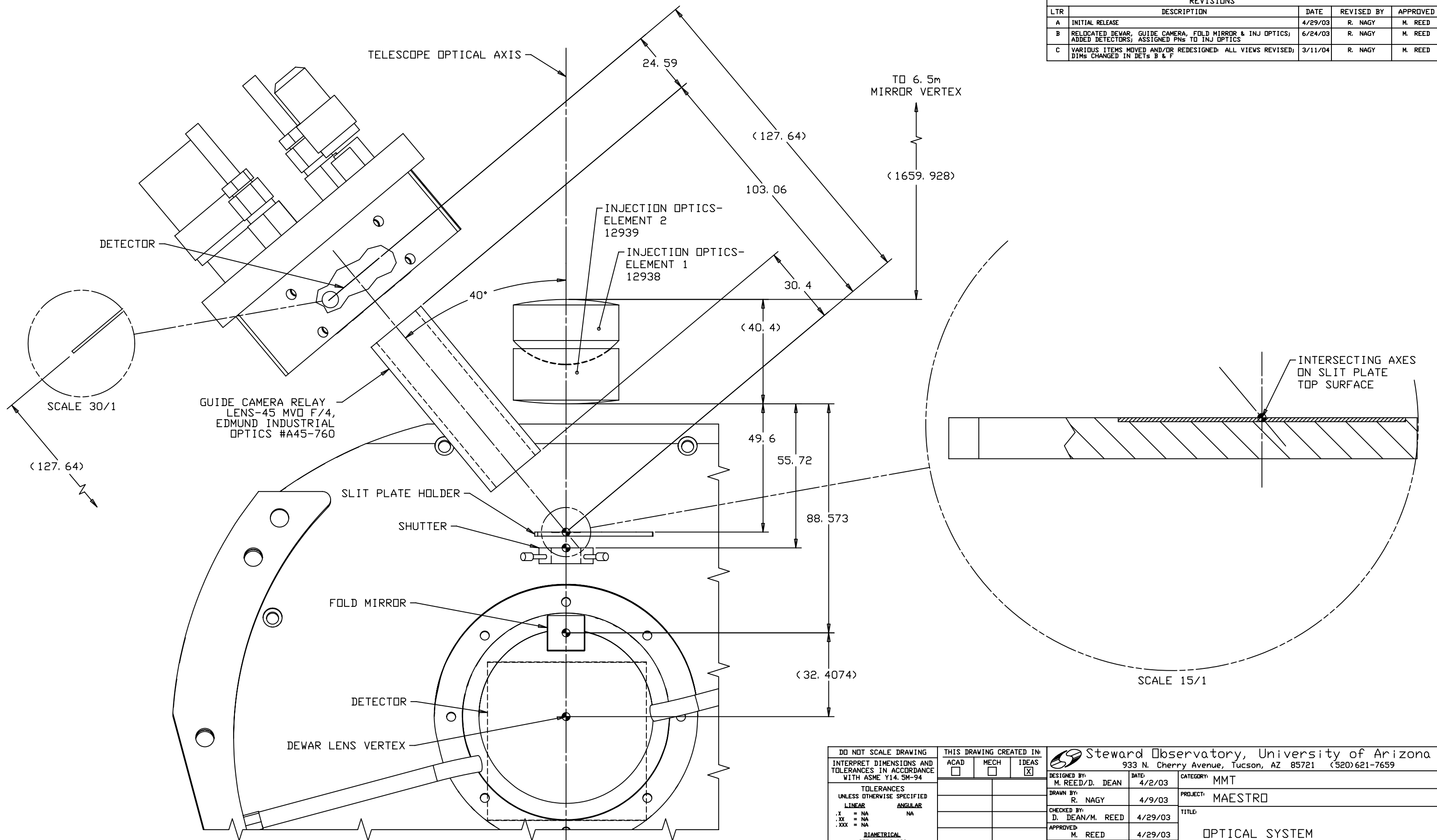


REVISIONS				
LTR	DESCRIPTION	DATE	REVISED BY	APPROVED
A	INITIAL RELEASE	4/29/03	R. NAGY	M. REED
B	RELOCATED DEWAR, GUIDE CAMERA, FOLD MIRROR & INJ OPTICS; ADDED DETECTORS; ASSIGNED PNs TO INJ OPTICS	6/24/03	R. NAGY	M. REED
C	VARIOUS ITEMS MOVED AND/OR REDESIGNED; ALL VIEWS REVISED; DIMS CHANGED IN DETs B & F	3/11/04	R. NAGY	M. REED



DETAIL B  
(SHT 1)  
SCALE 1.5/1

DO NOT SCALE DRAWING INTERPRET DIMENSIONS AND TOLERANCES IN ACCORDANCE WITH ASME Y14.5M-94		THIS DRAWING CREATED IN: ACAD <input type="checkbox"/> MECH <input type="checkbox"/> IDEAS <input checked="" type="checkbox"/>		Steward Observatory, University of Arizona 933 N. Cherry Avenue, Tucson, AZ 85721 (520)621-7659			
TOLERANCES UNLESS OTHERWISE SPECIFIED LINEAR .XX = NA .XXX = NA ANGULAR NA		DESIGNED BY: M. REED/D. DEAN		DATE: 4/2/03	CATEGORY: MMT		
DIAMETRICAL SEE SPEC S-002		DRAWN BY: R. NAGY		4/9/03	PROJECT: MAESTRO		
DIMENSIONS ARE IN INCHES / DIMENSIONS IN [ ] ARE METRIC		CHECKED BY: D. DEAN/M. REED		4/29/03	TITLE: OPTICAL SYSTEM		
MATERIAL		APPROVED: M. REED		4/29/03	PLOT SIZE: SCALE: D 1/20 & NOTED		DRAWING NUMBER: 12880
FINISH		APPROVED:			REVISION: C		
ASSEMBLY APPLICATION		CURRENT TIME/DATE/FILE LOCATION:				DRAWING ARCHIVE LOCATION: <a href="http://dsv1nc1.as.arizona.edu/acad/default.html">http://dsv1nc1.as.arizona.edu/acad/default.html</a>	
							SHEET 4 OF 5