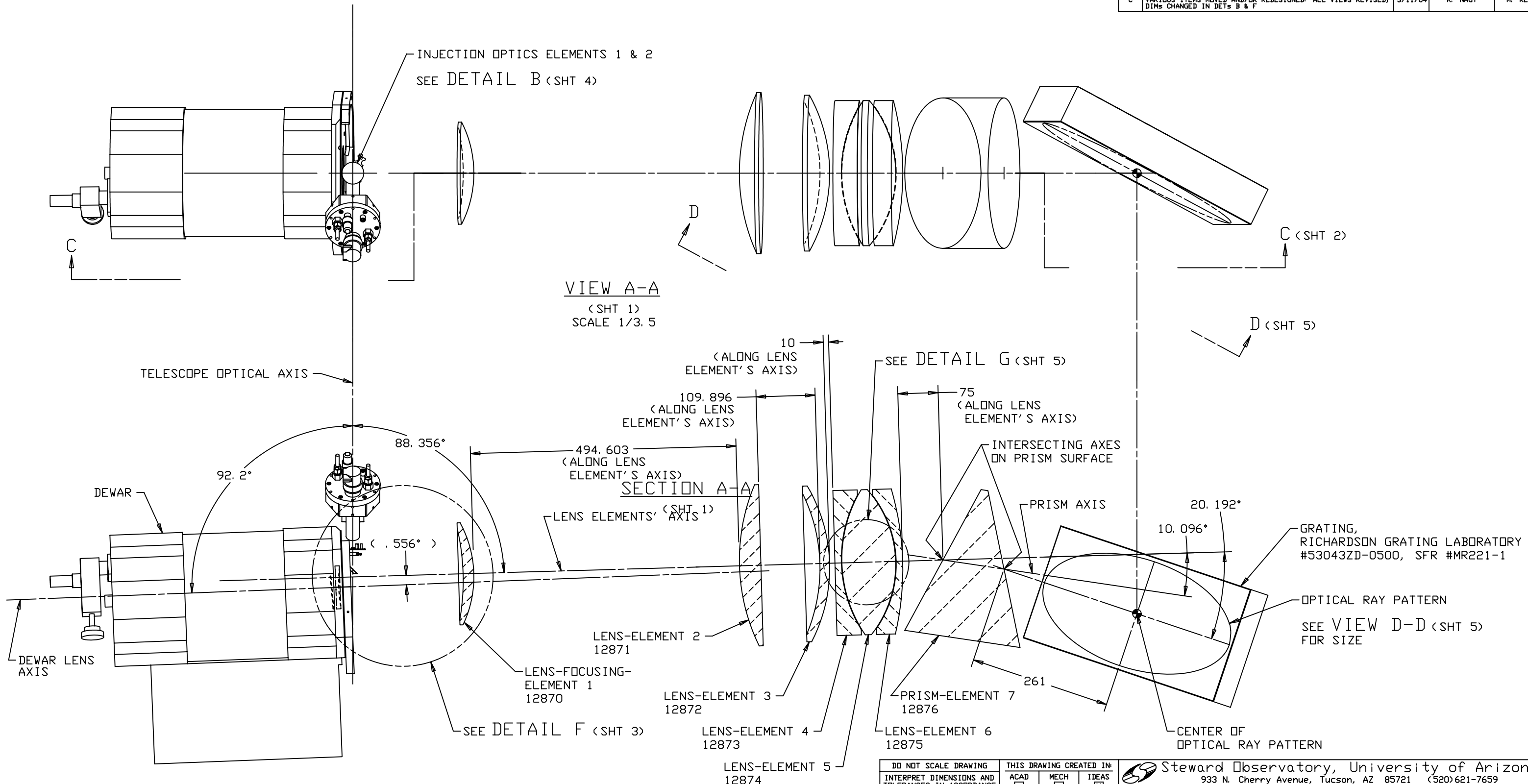


REVISIONS				
LTR	DESCRIPTION	DATE	REVISED BY	APPROVED
A	INITIAL RELEASE	4/29/03	R. NAGY	M. REED
B	RELOCATED DEWAR, GUIDE CAMERA, FOLD MIRROR & INJ OPTICS; ADDED DETECTORS; ASSIGNED PNs TO INJ OPTICS	6/24/03	R. NAGY	M. REED
C	VARIOUS ITEMS MOVED AND/OR REDESIGNED; ALL VIEWS REVISED; DIMS CHANGED IN DETS B & F	3/11/04	R. NAGY	M. REED



DO NOT SCALE DRAWING INTERPRET DIMENSIONS AND TOLERANCES IN ACCORDANCE WITH ASME Y14.5M-94		THIS DRAWING CREATED IN: ACAD <input type="checkbox"/> MECH <input type="checkbox"/> IDEAS <input checked="" type="checkbox"/>		Steward Observatory, University of Arizona 933 N. Cherry Avenue, Tucson, AZ 85721 (520)621-7659	
TOLERANCES UNLESS OTHERWISE SPECIFIED LINEAR .X = NA .XX = NA .XXX = NA ANGULAR .X = NA .XX = NA .XXX = NA DIAMETRICAL SEE SPEC S-002		DESIGNED BY: M. REED/D. DEAN	DATE: 4/2/03	CATEGORY: MMT	
MATERIAL -		DRAWN BY: R. NAGY	4/9/03	PROJECT: MAESTRO	
FINISH -		CHECKED BY: D. DEAN/M. REED	4/29/03	TITLE: OPTICAL SYSTEM	
ASSEMBLY APPLICATION		APPROVED: M. REED	4/29/03	DRAWING NUMBER: 12880	
CURRENT TIME/DATE/FILE LOCATION: DRAWING ARCHIVE LOCATION: http://davinci1.as.arizona.edu/acad/default.html		APPROVED:		PLOT SIZE: D	SCALE: 1/20 & NOTED
				DRAWING NUMBER: 12880	REVISION: C
					SHEET 2 OF 5