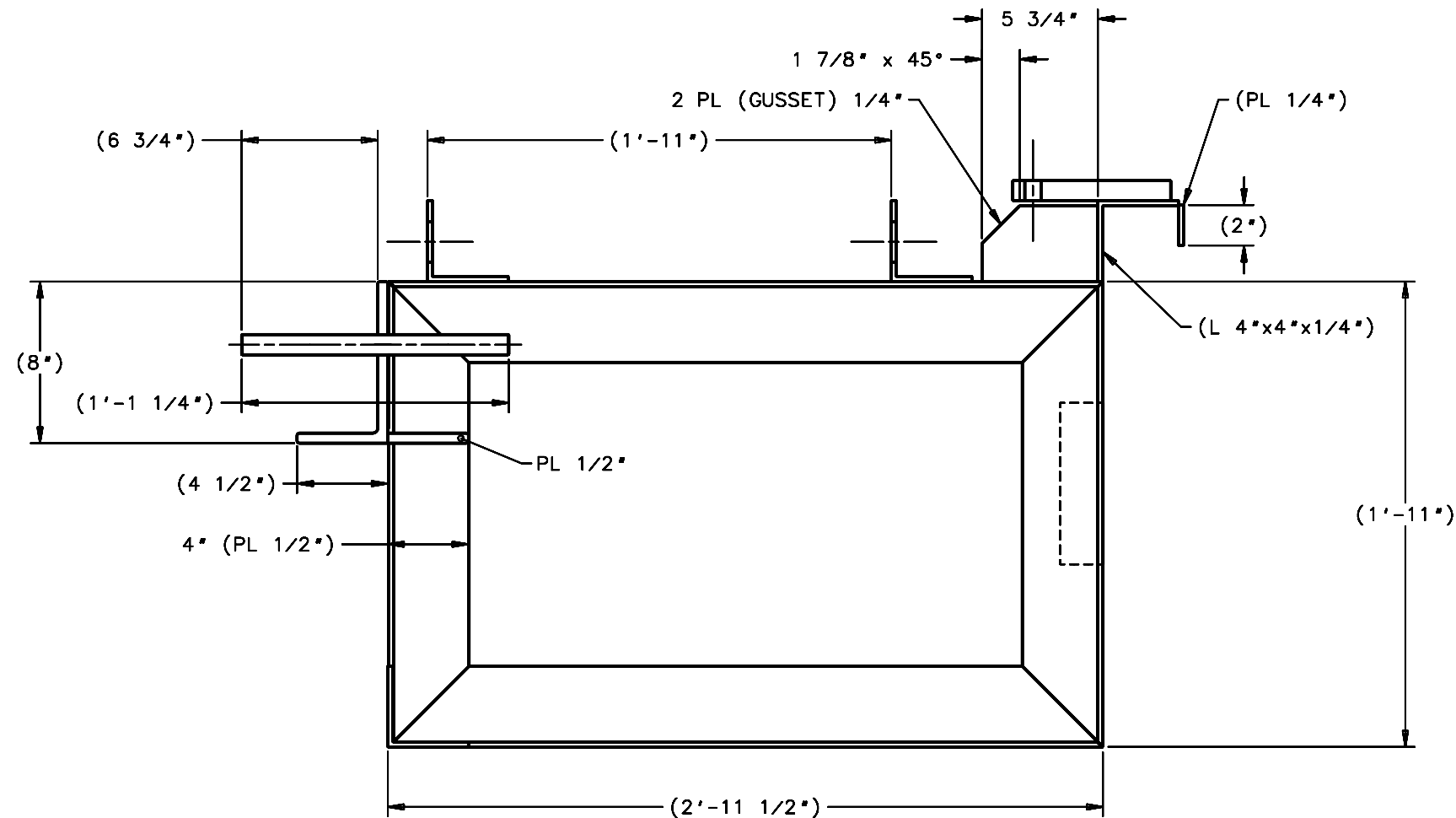


REVISIONS				
LTR	DESCRIPTION	DATE	REVISED BY	APPROVED
A	INITIAL RELEASE	4/20/05	R. NAGY	W. DAVISON



SECTION D-D

(SHT 2)
SCALE 1:4

DO NOT SCALE DRAWING INTERPRET DIMENSIONS AND TOLERANCES IN ACCORDANCE WITH ASME Y14.5M-94		THIS DRAWING CREATED IN: ACAD <input type="checkbox"/> MECH <input type="checkbox"/> IDEAS <input checked="" type="checkbox"/>		Steward Observatory, University of Arizona 933 N. Cherry Avenue, Tucson, AZ 85721 (520)621-7659	
TOLERANCES UNLESS OTHERWISE SPECIFIED LINEAR .XX ± .001 ANGULAR 1° ± 15'		DESIGNED BY: D. DEAN	DATE: 1/2/05	CATEGORY: MMT	
DIA METRICAL SEE SPEC S-002		DRAWN BY: D. DEAN/R. NAGY	4/8/05	PROJECT: MAESTRO	
MATERIAL ASTM A36 STEEL		CHECKED BY: T. HOPPER	4/13/05	TITLE: CART COUNTERWEIGHT WELDMENT	
FINISH 4		APPROVED: J. BECHTOLD	4/20/05	APPROVED: R. WARNER	
NEXT ASSY		14523	MMT	ASSEMBLY APPLICATION	CURRENT TIME/DATE/FILE LOCATION:
DRAWING ARCHIVE LOCATION: http://davincl.as.arizona.edu/ccad/default.html		DRAWING NUMBER: 14770		REVISION: A	