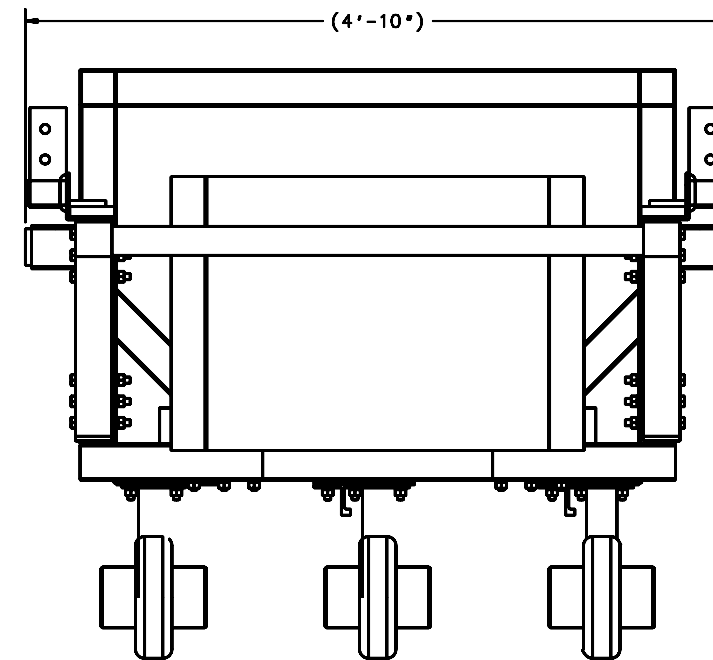
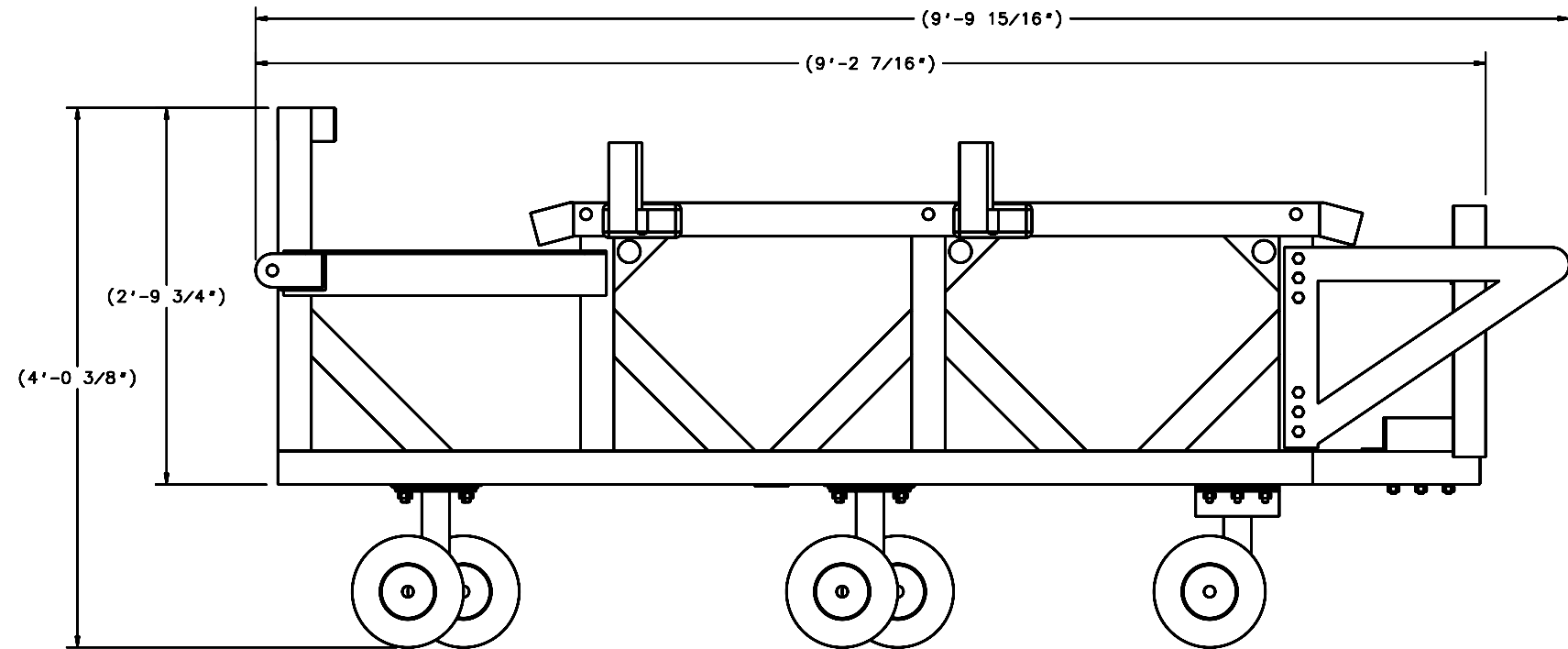


REVISIONS				
LTR	DESCRIPTION	DATE	REVISED BY	APPROVED
A	INITIAL RELEASE	4/20/05	R. NAGY	W. DAVISON
B	SHT 14 ADDED FOR ADDITIONAL VIEW	6/24/05	R. NAGY	W. DAVISON



DETAIL V
SHT 1
SCALE 1:8

DO NOT SCALE DRAWING INTERPRET DIMENSIONS AND TOLERANCES IN ACCORDANCE WITH ASME Y14.5M-94		THIS DRAWING CREATED IN: ACAD <input type="checkbox"/> MECH <input type="checkbox"/> IDEAS <input checked="" type="checkbox"/>		Steward Observatory, University of Arizona 933 N. Cherry Avenue, Tucson, AZ 85721 (520)621-7659	
TOLERANCES UNLESS OTHERWISE SPECIFIED LINEAR .X = .001 .XX = .002 .XXX = .005 ANGULAR ±1° DIAMETRICAL SEE SPEC 5-002		DESIGNED BY: D. DEAN	DATE: 1/15/05	CATEGORY: MMT	
MATERIAL 2D		DRAWN BY: D. DEAN	2/25/05	PROJECT: MAESTRO	
FINISH 2F		CHECKED BY: T. HOPPER	4/13/05	TITLE: INSTRUMENT CART WELDMENT & ASSEMBLY	
ASSEMBLY APPLICATION		APPROVED: J. BECHTOLD	4/20/05	PLOT SIZE SCALE: D -	
		APPROVED: R. WARNER	4/20/05	DRAWING NUMBER: 14524	
		APPROVED:		REVISION: B	
		CURRENT TIME/DATE/FILE LOCATION:		SHEET 14 OF 14	
		DRAWING ARCHIVE LOCATION: http://davinci1.cs.arizona.edu/ocod/default.html			