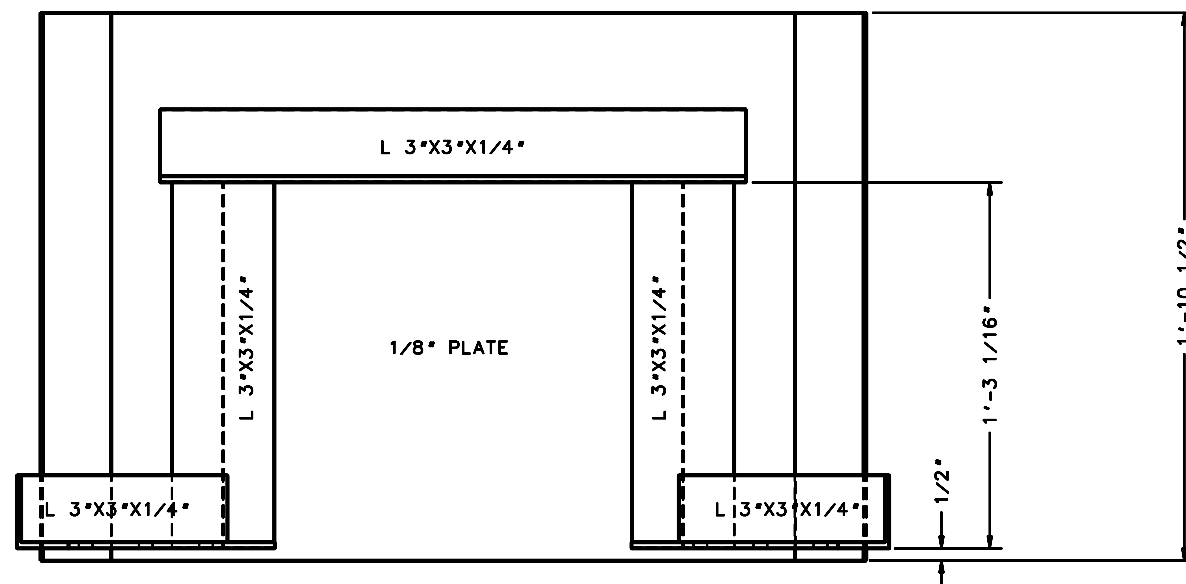
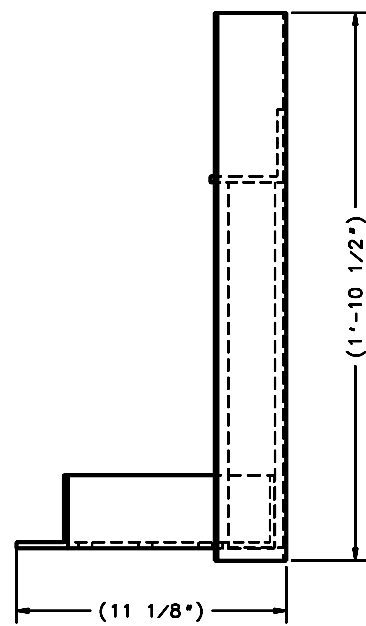
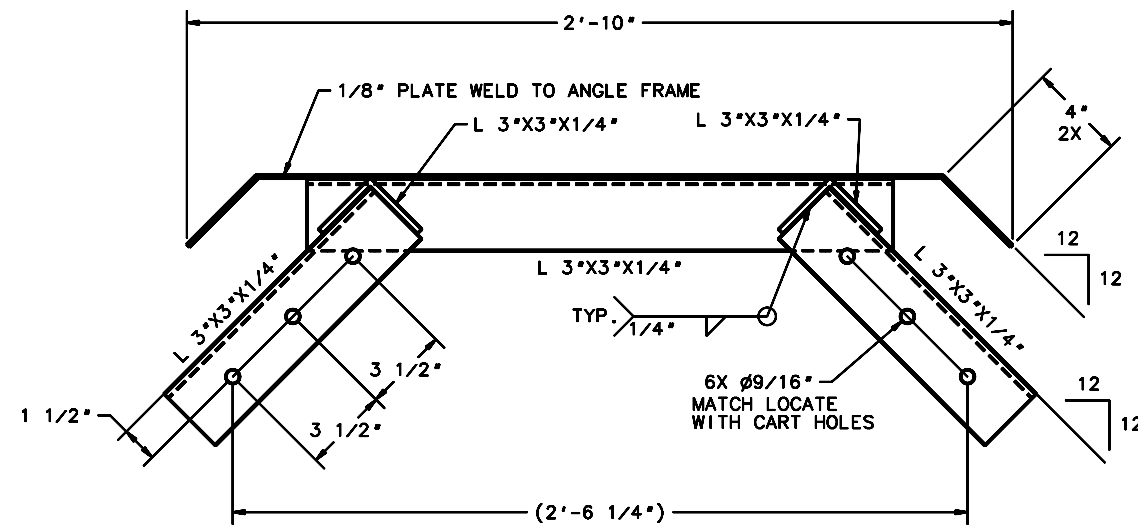
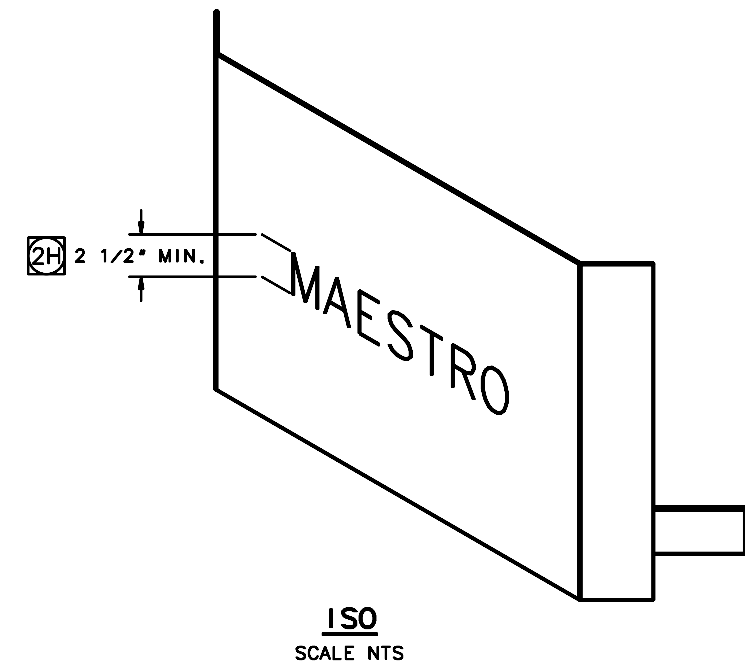


REVISIONS				
LTR	DESCRIPTION	DATE	REVISED BY	APPROVED
A	INITIAL RELEASE	4/20/05	R. NAGY	W. DAVISON
B	SHT 12: FRONT GUARD WAS ITEM 10; NOT A DESIGN CHANGE	6/24/05	R. NAGY	W. DAVISON



**DETAIL
FRONT GUARD WELDMENT**

SHT 1
SCALE 1:4



DO NOT SCALE DRAWING		THIS DRAWING CREATED IN:		Steward Observatory, University of Arizona 933 N. Cherry Avenue, Tucson, AZ 85721 (520)621-7659			
INTERPRET DIMENSIONS AND TOLERANCES IN ACCORDANCE WITH ASME Y14.5M-94		ACAD <input type="checkbox"/>	MECH <input type="checkbox"/>	IDEAS <input checked="" type="checkbox"/>	DESIGNED BY: D. DEAN	DATE: 1/15/05	CATEGORY: MMT
TOLERANCES UNLESS OTHERWISE SPECIFIED					DRAWN BY: D. DEAN	2/25/05	PROJECT: MAESTRO
LINEAR .X .XX .XXX					CHECKED BY: T. HOPPER	4/13/05	TITLE: INSTRUMENT CART WELDMENT & ASSEMBLY
ANGULAR ±1°					APPROVED: J. BECHTOLD	4/20/05	
DIAMETRICAL SEE SPEC 5-002					APPROVED: R. WARNER	4/20/05	
MATERIAL		14522	MMT-MAESTRO		APPROVED:		PLOT SIZE SCALE: DRAWING NUMBER: REVISION:
FINISH		NEXT ASSY	USED ON		APPROVED:		D - 14524 B
ASSEMBLY APPLICATION		CURRENT TIME/DATE/FILE LOCATION:			DRAWING ARCHIVE LOCATION: http://davinci1.cs.arizona.edu/ccod/default.html		
							SHEET 12 OF 14