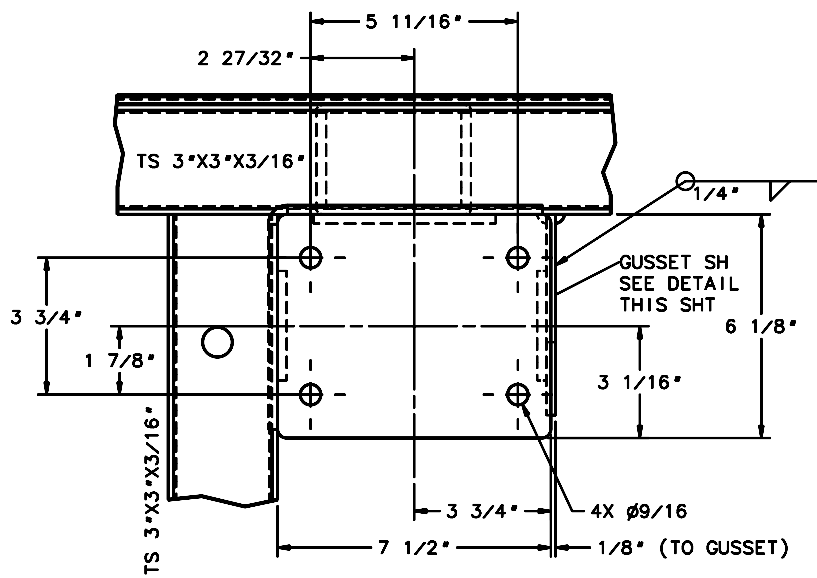
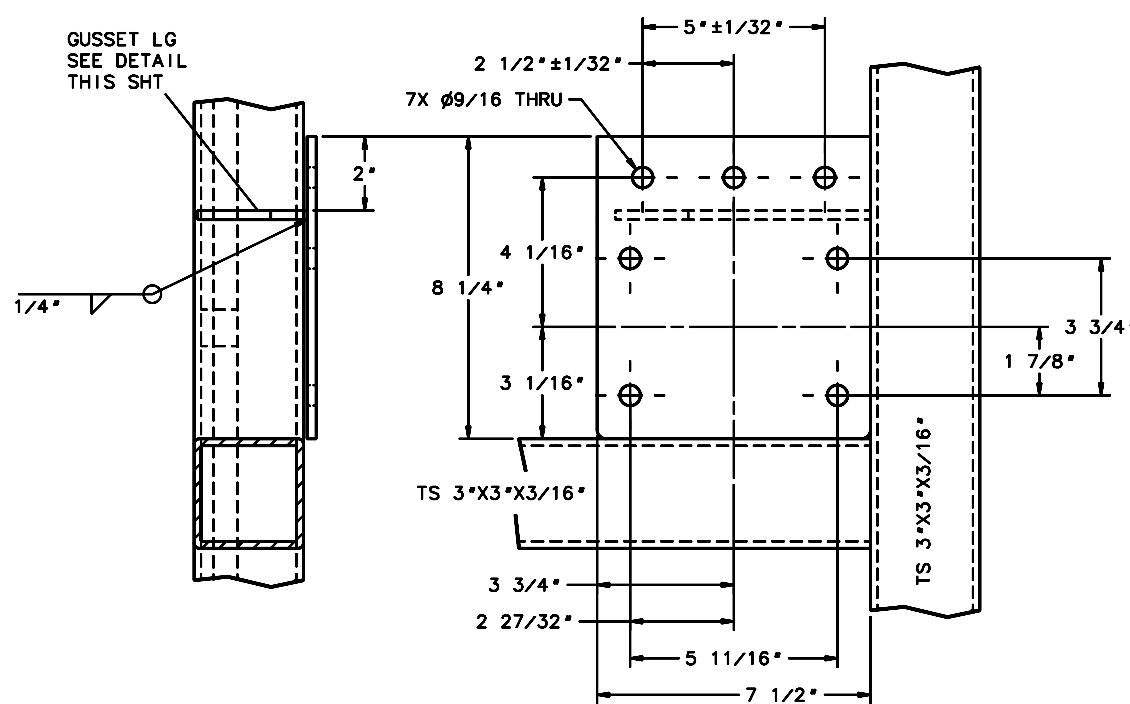


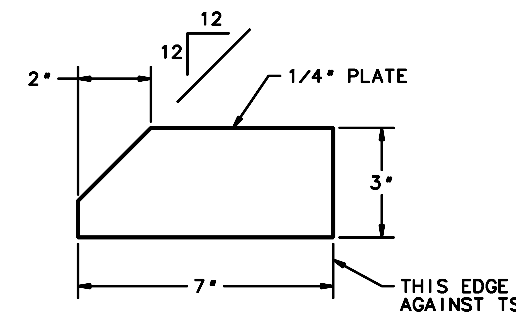
REVISIONS				
LTR	DESCRIPTION	DATE	REVISED BY	APPROVED
A	INITIAL RELEASE	4/20/05	R. NAGY	W. DAVISON
B	SHT 10: CHANGED DETAIL M; ADDED DETAIL U & WHEEL LOCK; LOCATION DIMS GIVEN TO GUSSETS	6/24/05	R. NAGY	W. DAVISON



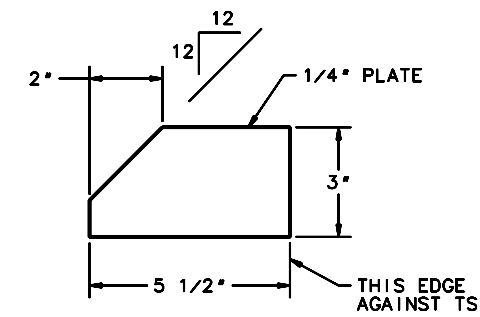
DETAIL K
SHT 11
SCALE 3:8
1 AS SHOWN
1 OPPOSITE HAND



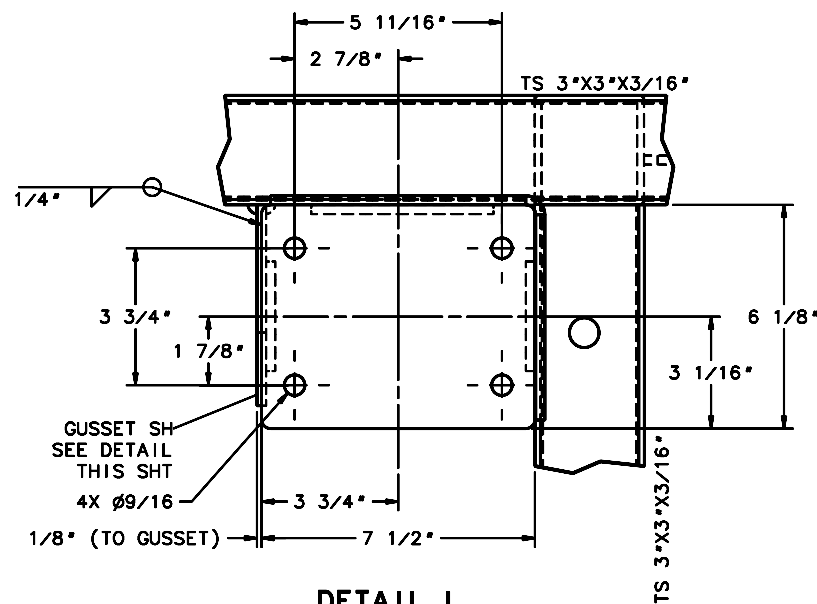
(2X) DETAIL M
SHT 11
SCALE 3:8
2 AS SHOWN



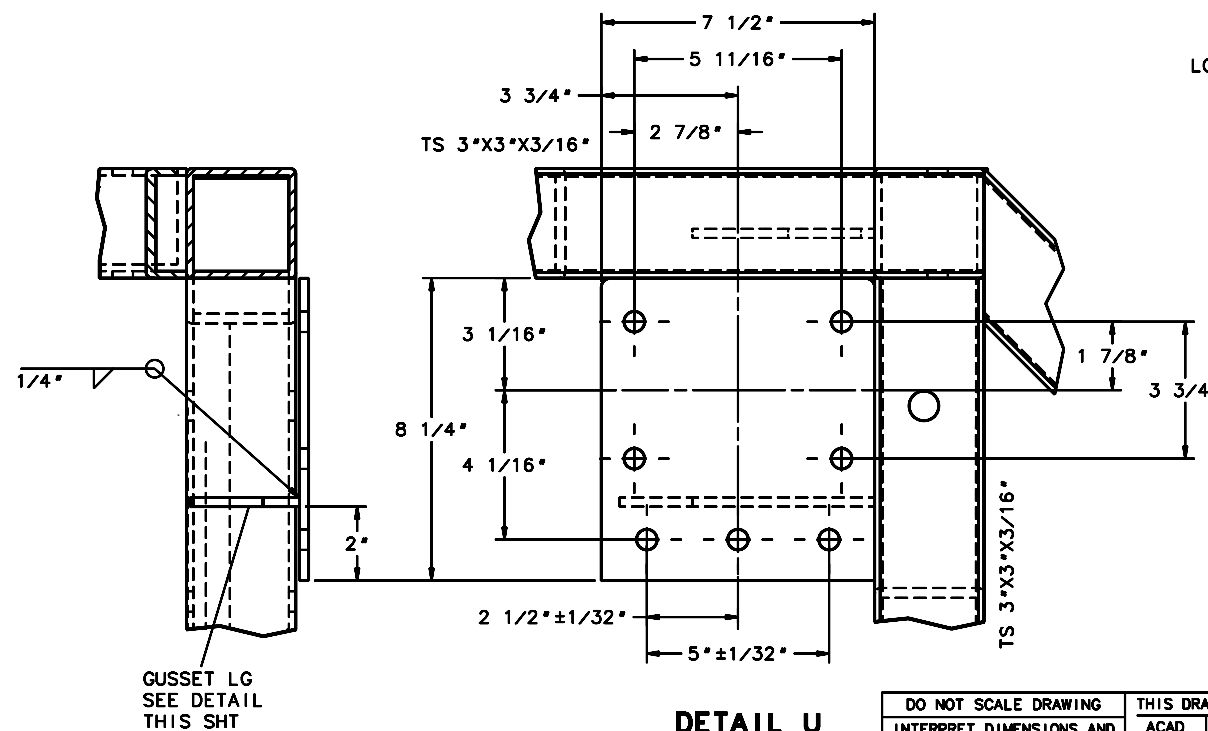
(3X) DETAIL GUSSET LG
THIS SHT
SCALE 3:8
LOCATE ON TOP OF WHEEL PLATE



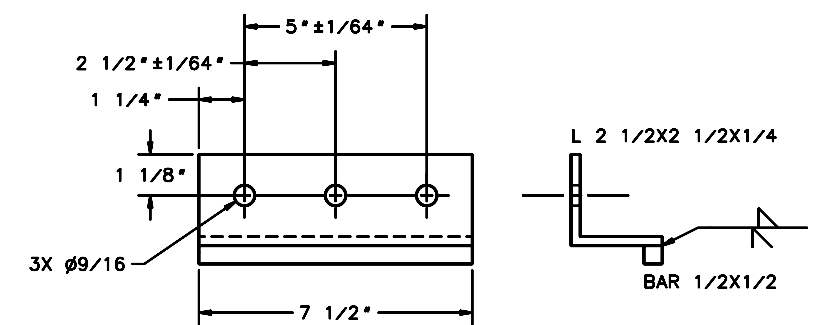
(4X) DETAIL GUSSET SH
THIS SHT
SCALE 3:8
LOCATE ON TOP OF WHEEL PLATE



DETAIL L
SHT 11
SCALE 3:8
1 AS SHOWN
1 OPPOSITE HAND



DETAIL U
SHT 11
SCALE 3:8



(2X) DETAIL WHEEL LOCK
SHT 1
SCALE 3:8

DO NOT SCALE DRAWING		THIS DRAWING CREATED IN:		Steward Observatory, University of Arizona			
INTERPRET DIMENSIONS AND TOLERANCES IN ACCORDANCE WITH ASME Y14.5M-94		ACAD	MECH	IDEAS	933 N. Cherry Avenue, Tucson, AZ 85721 (520)621-7659		
TOLERANCES UNLESS OTHERWISE SPECIFIED		<input type="checkbox"/>	<input type="checkbox"/>	<input checked="" type="checkbox"/>	DESIGNED BY: D. DEAN	DATE: 1/15/05	CATEGORY: MMT
LINEAR .X .XX .XXX					DRAWN BY: D. DEAN	DATE: 2/25/05	PROJECT: MAESTRO
ANGULAR ±1°					CHECKED BY: T. HOPPER	DATE: 4/13/05	TITLE: INSTRUMENT CART WELDMENT & ASSEMBLY
DIAMETRICAL SEE SPEC 5-002					APPROVED: J. BECHTOLD	DATE: 4/20/05	
DIMENSIONS ARE IN INCHES / DIMENSIONS IN [] ARE METRIC					APPROVED: R. WARNER	DATE: 4/20/05	
MATERIAL	14522	MMT-MAESTRO			APPROVED:		PLOT SIZE SCALE: D -
FINISH	2D	NEXT ASSY	USED ON		APPROVED:		DRAWING NUMBER: 14524
		ASSEMBLY APPLICATION					REVISION: B
CURRENT TIME/DATE/FILE LOCATION:				DRAWING ARCHIVE LOCATION: http://davinci1.cs.arizona.edu/ocod/default1.html			
							SHEET 10 OF 14