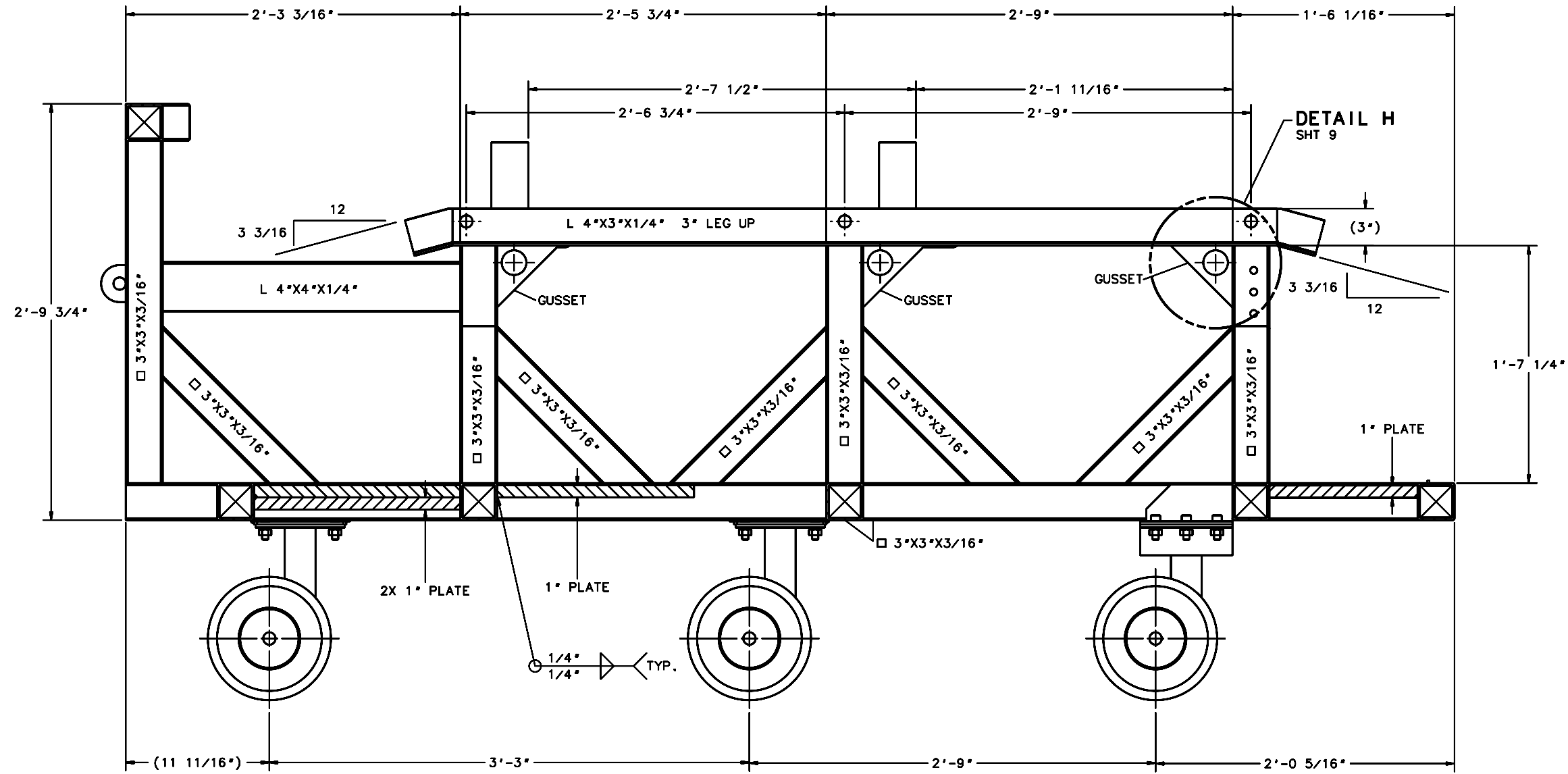


REVISIONS				
LTR	DESCRIPTION	DATE	REVISED BY	APPROVED
A	INITIAL RELEASE	4/20/05	R. NAGY	W. DAVISON
B	SHT 7: UPDATED VIEW; NO DIMENSIONAL ADDITIONS OR CHANGES	6/24/05	R. NAGY	W. DAVISON



SECTION Q-Q
SHT 3
SCALE 3:16

DO NOT SCALE DRAWING INTERPRET DIMENSIONS AND TOLERANCES IN ACCORDANCE WITH ASME Y14.5M-94		THIS DRAWING CREATED IN: ACAD <input type="checkbox"/> MECH <input type="checkbox"/> IDEAS <input checked="" type="checkbox"/>		Steward Observatory, University of Arizona 933 N. Cherry Avenue, Tucson, AZ 85721 (520)621-7659	
TOLERANCES UNLESS OTHERWISE SPECIFIED LINEAR .XX ±.001 ANGULAR .1° ±.05° DIAMETRICAL SEE SPEC 5-002		DESIGNED BY: D. DEAN	DATE: 1/15/05	CATEGORY: MMT	
MATERIAL 2D		DRAWN BY: D. DEAN	DATE: 2/25/05	PROJECT: MAESTRO	
FINISH 2F		CHECKED BY: T. HOPPER	DATE: 4/13/05	TITLE: INSTRUMENT CART WELDMENT & ASSEMBLY	
ASSEMBLY APPLICATION		APPROVED: J. BECHTOLD	DATE: 4/20/05	DRAWING NUMBER: 14524	
		APPROVED: R. WARNER	DATE: 4/20/05	REVISION: B	
		CURRENT TIME/DATE/FILE LOCATION:		DRAWING ARCHIVE LOCATION: http://davinci1.cs.arizona.edu/ocod/default.html	
		DRAWING ARCHIVE LOCATION: http://davinci1.cs.arizona.edu/ocod/default.html		SHEET 7 OF 14	