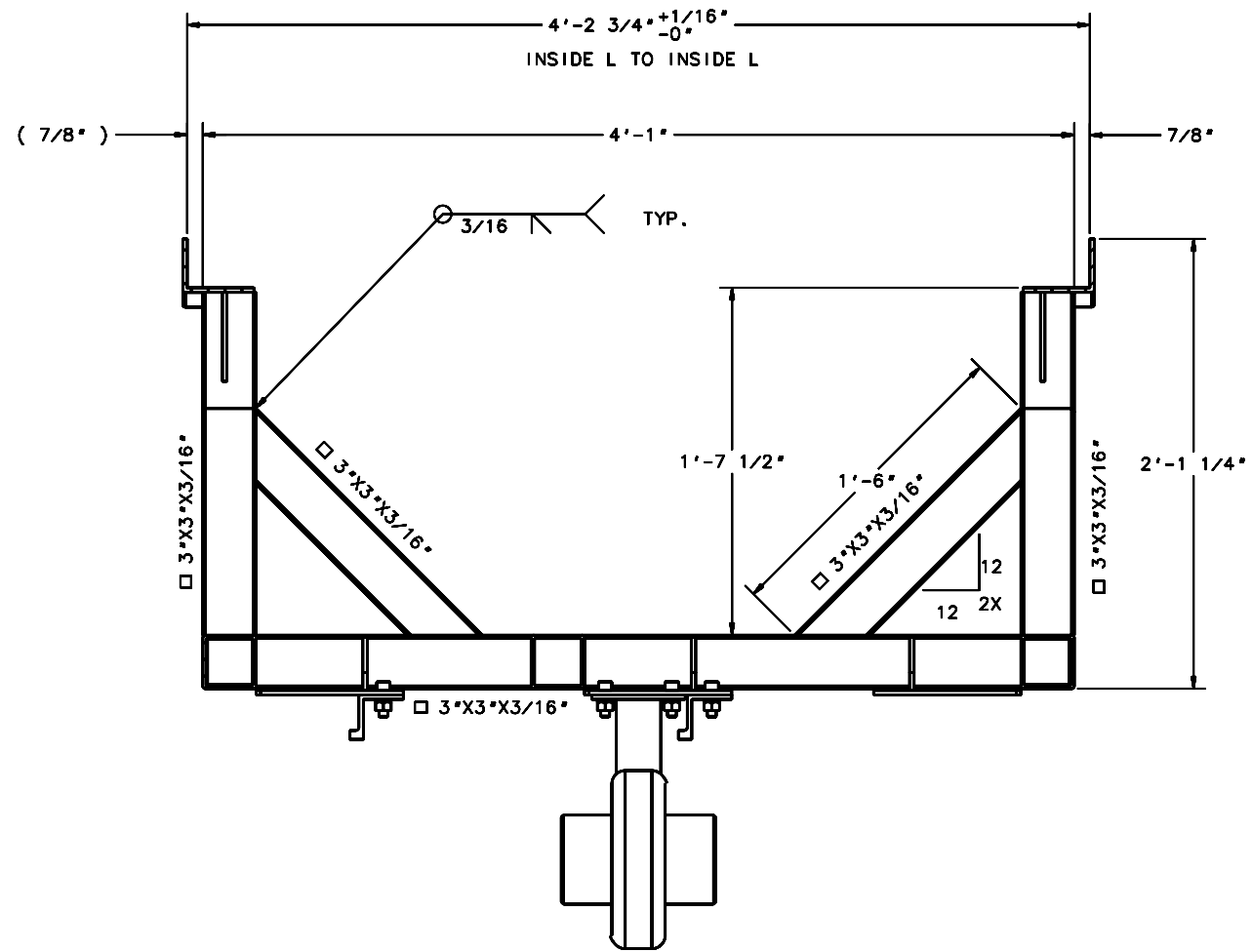
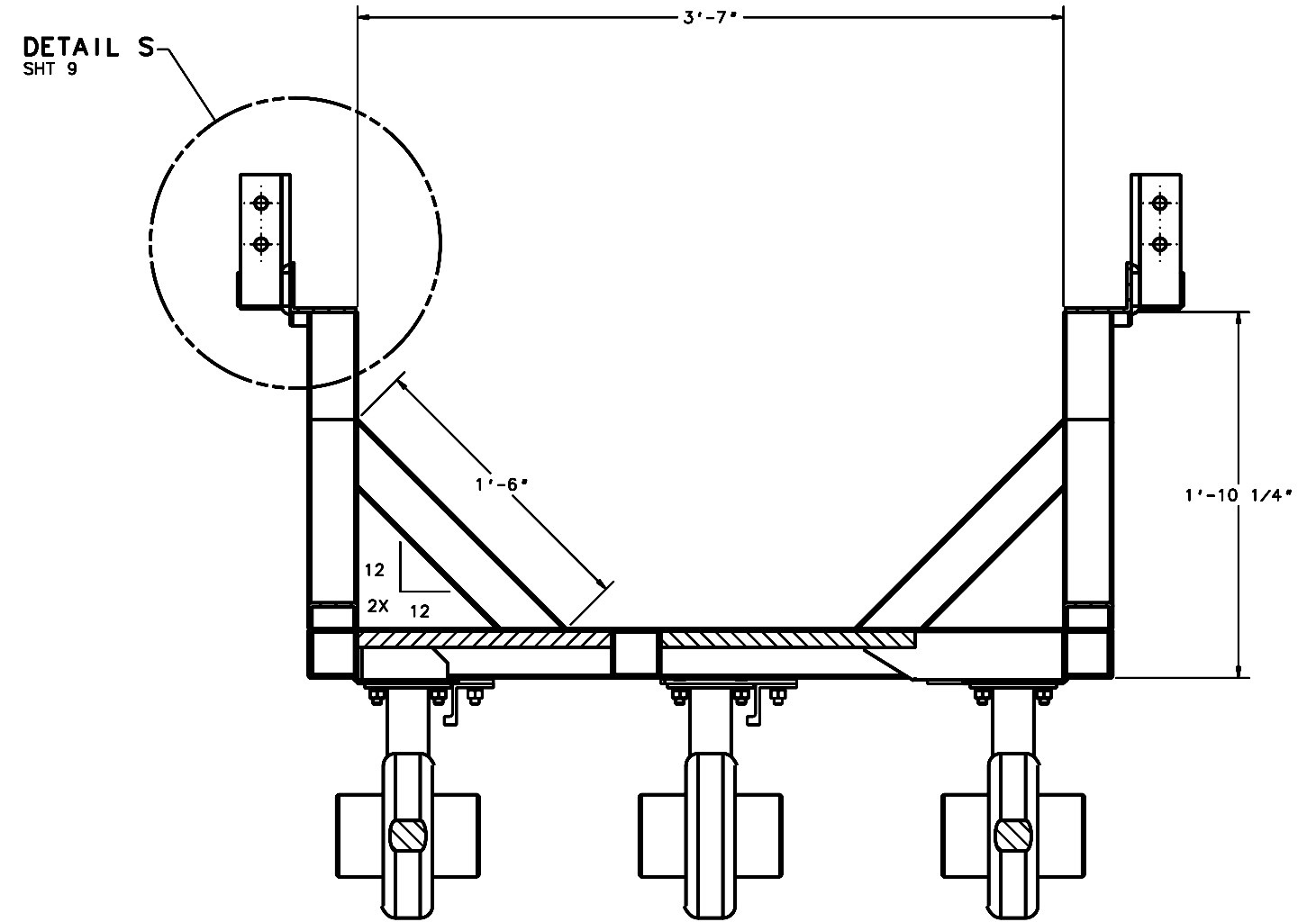


REVISIONS				
LTR	DESCRIPTION	DATE	REVISED BY	APPROVED
A	INITIAL RELEASE	4/20/05	R. NAGY	W. DAVISON
B	SHT 5: UPDATED VIEWS; NO DIMENSIONAL ADDITIONS OR CHANGES	6/24/05	R. NAGY	W. DAVISON



SECTION D-D
SHT 2
SCALE 3:16



SECTION E-E
SHT 2
SCALE 3:16

DO NOT SCALE DRAWING INTERPRET DIMENSIONS AND TOLERANCES IN ACCORDANCE WITH ASME Y14.5M-94		THIS DRAWING CREATED IN: ACAD <input type="checkbox"/> MECH <input type="checkbox"/> IDEAS <input checked="" type="checkbox"/>		Steward Observatory, University of Arizona 933 N. Cherry Avenue, Tucson, AZ 85721 (520)621-7659			
TOLERANCES UNLESS OTHERWISE SPECIFIED LINEAR .X = .001 .XX = .002 .XXX = .005 ANGULAR ±1° DIAMETRICAL SEE SPEC 5-002		DESIGNED BY: D. DEAN DATE: 1/15/05		CATEGORY: MMT		PROJECT: MAESTRO	
MATERIAL 2D		DRAWN BY: D. DEAN DATE: 2/25/05		CHECKED BY: T. HOPPER DATE: 4/13/05		TITLE: INSTRUMENT CART WELDMENT & ASSEMBLY	
FINISH 2F		APPROVED: J. BECHTOLD DATE: 4/20/05		APPROVED: R. WARNER DATE: 4/20/05		DRAWING NUMBER: 14524	
NEXT ASSY USED ON		APPROVED:		APPROVED:		REVISION: B	
ASSEMBLY APPLICATION		CURRENT TIME/DATE/FILE LOCATION:		DRAWING ARCHIVE LOCATION: http://davinci1.cs.arizona.edu/ccod/default.html		SHEET 5 OF 14	