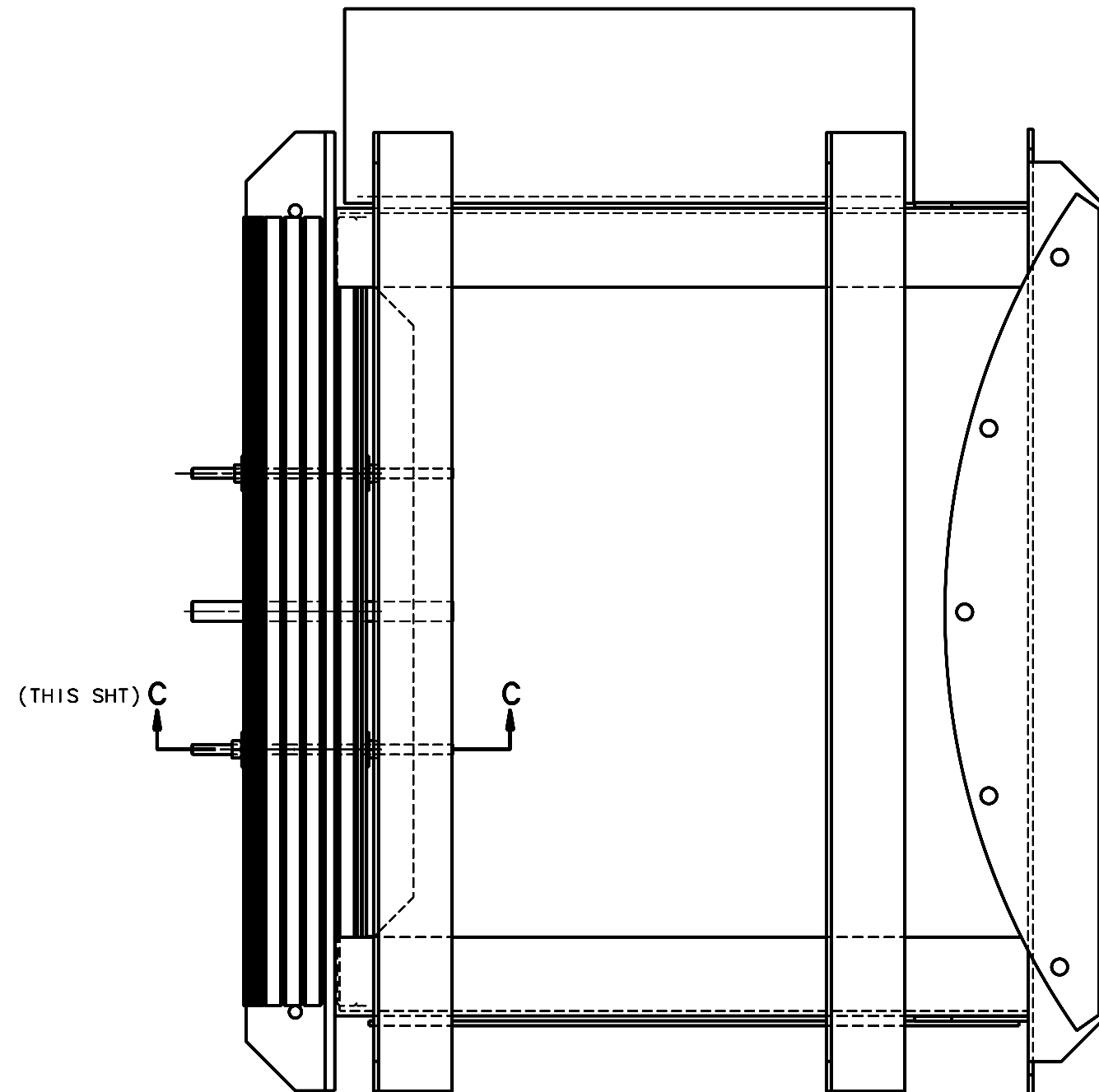
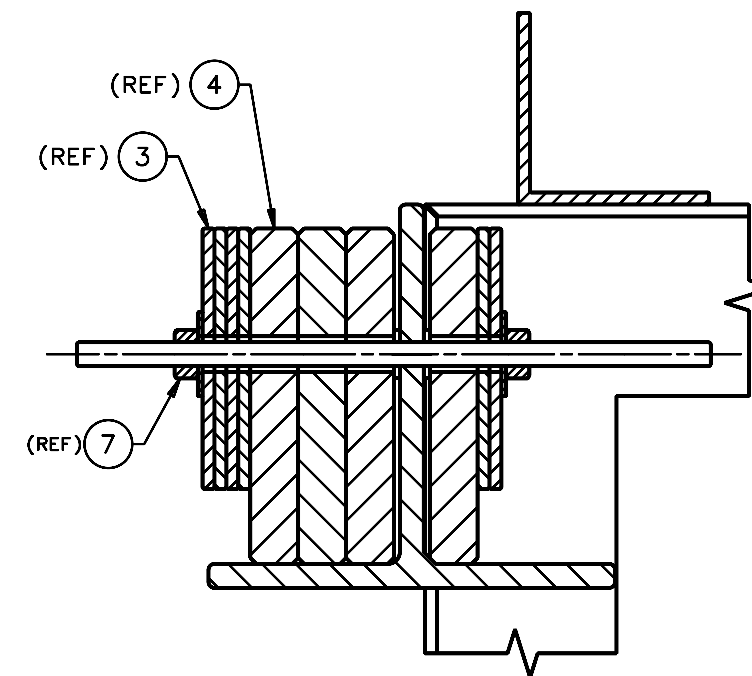


REVISIONS				
LTR	DESCRIPTION	DATE	REVISED BY	APPROVED
A	INITIAL RELEASE	4/20/05	R. NAGY	W. DAVISON



**VIEW B-B**  
(SHT 2)  
SCALE 1:4



**SECTION C-C**  
(THIS SHT)  
SCALE 1:2

DO NOT SCALE DRAWING INTERPRET DIMENSIONS AND TOLERANCES IN ACCORDANCE WITH ASME Y14.5M-94		THIS DRAWING CREATED IN: ACAD <input type="checkbox"/> MECH <input type="checkbox"/> IDEAS <input checked="" type="checkbox"/>		Steward Observatory, University of Arizona 933 N. Cherry Avenue, Tucson, AZ 85721 (520)621-7659	
TOLERANCES UNLESS OTHERWISE SPECIFIED LINEAR .1 = NA .05 = NA .03 = NA .02 = NA ANGULAR NA DIAMETRICAL SEE SPEC S-002		DESIGNED BY: D. DEAN	DATE: 1/2/05	CATEGORY: MMT	
MATERIAL -		DRAWN BY: D. DEAN/R. NAGY	3/7/05	PROJECT: MAESTRO	
FINISH -		CHECKED BY: T. HOPPER	4/13/05	TITLE: CART COUNTERWEIGHT ASSEMBLY	
ASSEMBLY APPLICATION		APPROVED: J. BECHTOLD	4/20/05	DRAWING NUMBER: 14523	
CURRENT TIME/DATE/FILE LOCATION:		APPROVED: R. WARNER	4/20/05	REVISION: A	
DRAWING ARCHIVE LOCATION: <a href="http://davinci.as.arizona.edu/ccad/default.html">http://davinci.as.arizona.edu/ccad/default.html</a>		PLOT SIZE SCALE: D -		SHEET 3 OF 3	