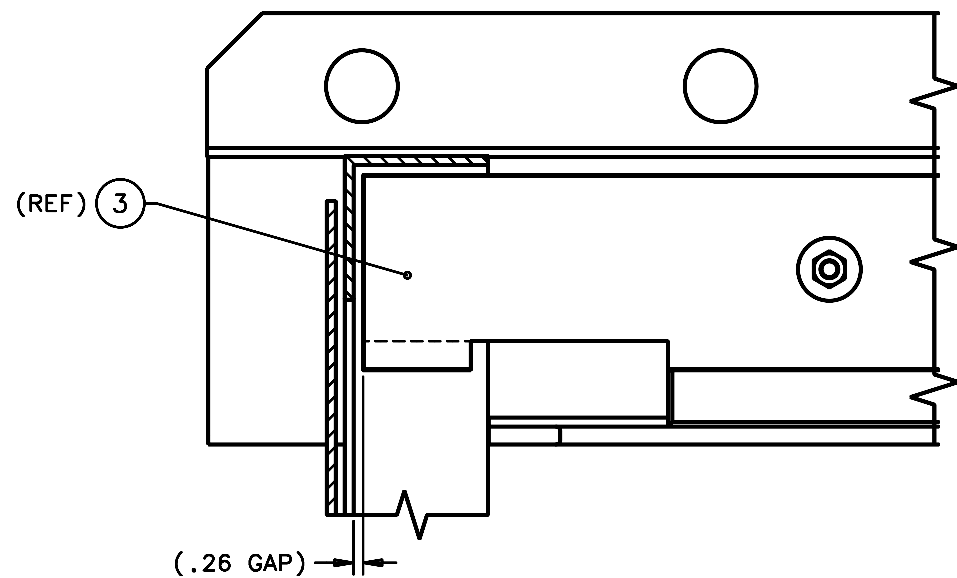
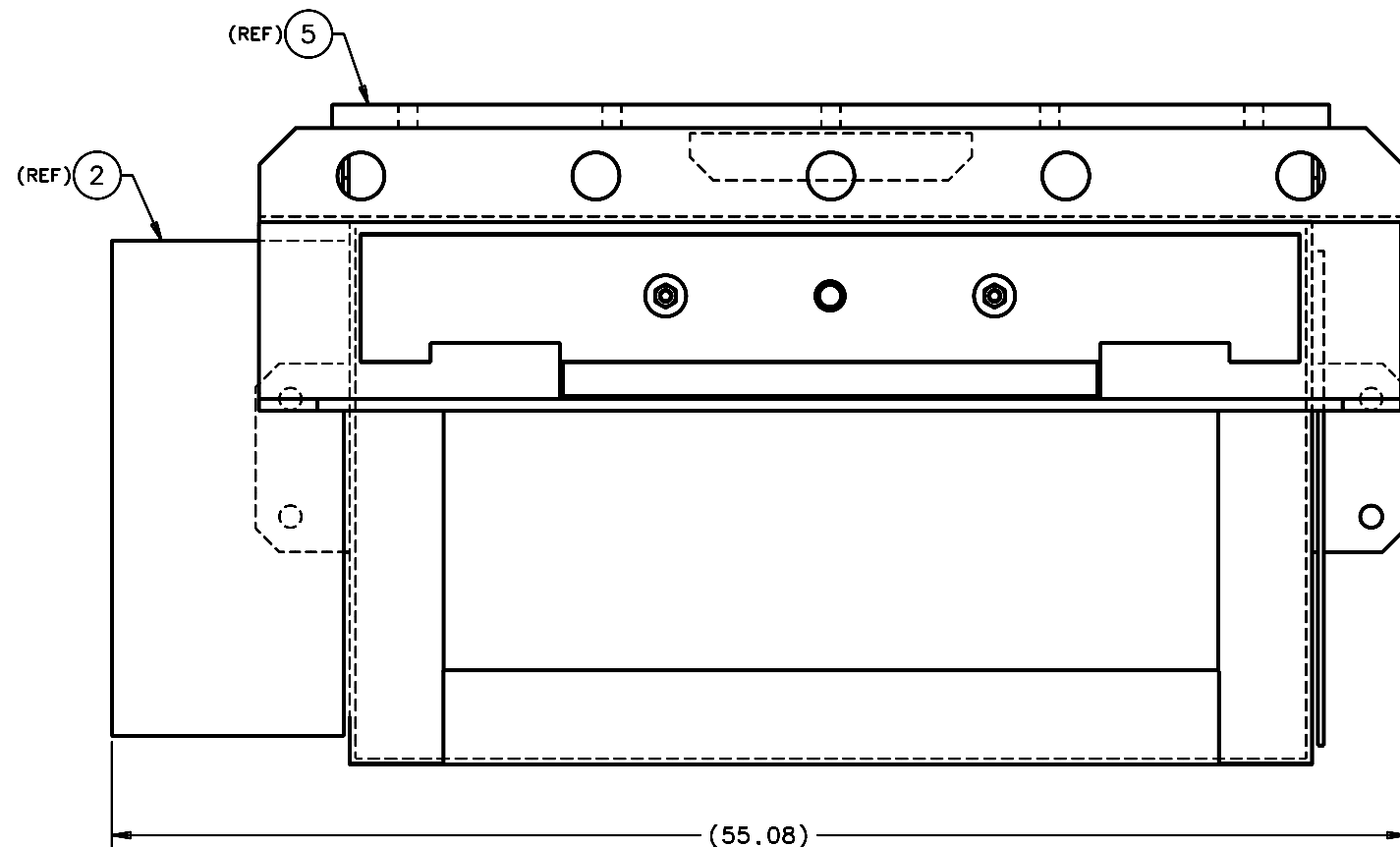


REVISIONS				
LTR	DESCRIPTION	DATE	REVISED BY	APPROVED
A	INITIAL RELEASE	4/20/05	R. NAGY	W. DAVISON

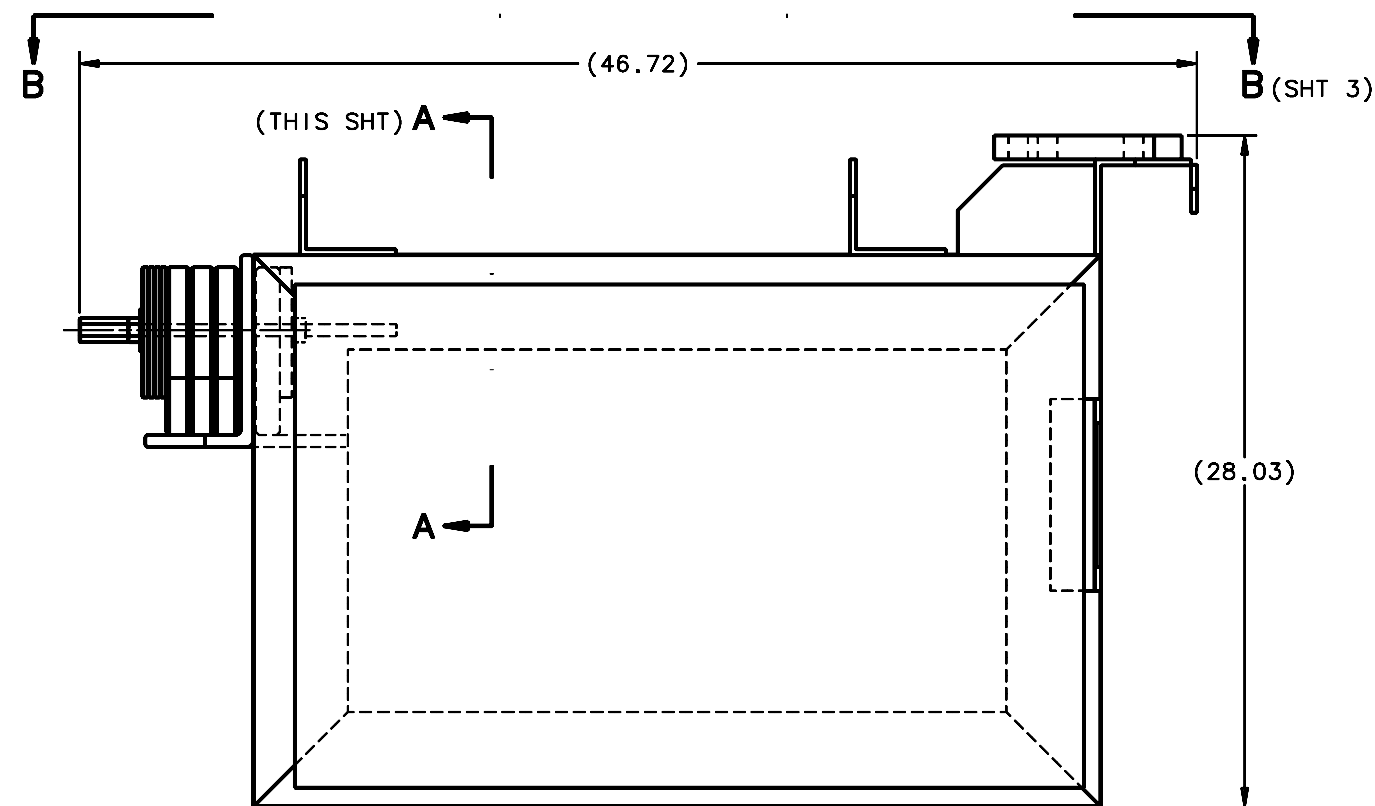


SECTION A-A

(THIS SHT)
SCALE 3:8



SCALE 1:4



DO NOT SCALE DRAWING INTERPRET DIMENSIONS AND TOLERANCES IN ACCORDANCE WITH ASME Y14.5M-94		THIS DRAWING CREATED IN: ACAD <input type="checkbox"/> MECH <input type="checkbox"/> IDEAS <input checked="" type="checkbox"/>		Steward Observatory, University of Arizona 933 N. Cherry Avenue, Tucson, AZ 85721 (520)621-7659			
TOLERANCES UNLESS OTHERWISE SPECIFIED LINEAR .1 - NA .05 - NA .02 - NA ANGULAR NA DIAMETRICAL SEE SPEC S-002		DESIGNED BY: D. DEAN		DATE: 1/2/05		CATEGORY: MMT	
MATERIAL -		DRAWN BY: D. DEAN/R. NAGY		CHECKED BY: T. HOPPER		PROJECT: MAESTRO	
FINISH -		APPROVED: R. WARNER		DATE: 4/20/05		TITLE: CART COUNTERWEIGHT ASSEMBLY	
ASSEMBLY APPLICATION		NEXT ASSY USED ON		CURRENT TIME/DATE/FILE LOCATION: DRAWING ARCHIVE LOCATION: http://davinci.as.arizona.edu/ccad/default.html		PLOT SIZE SCALE: D -	
				DRAWING NUMBER: 14523		REVISION: A	