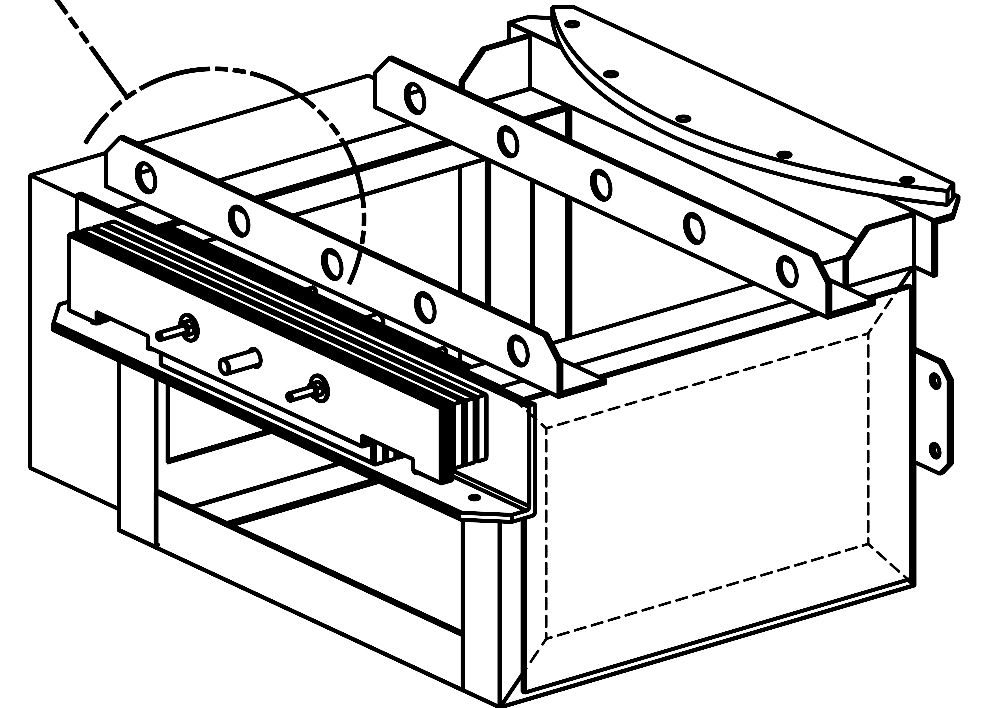
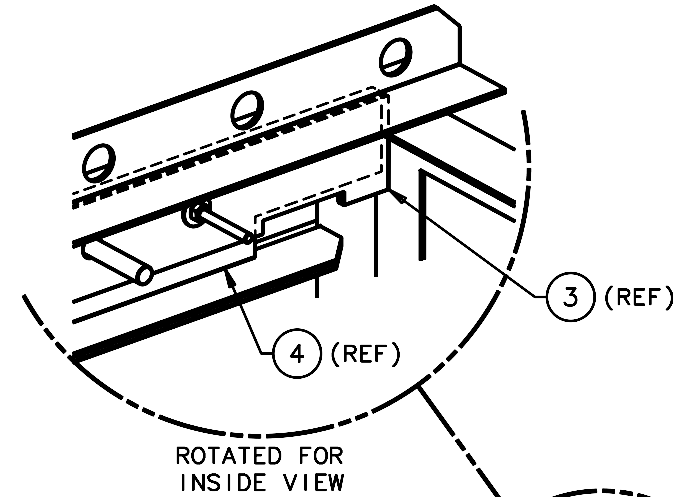
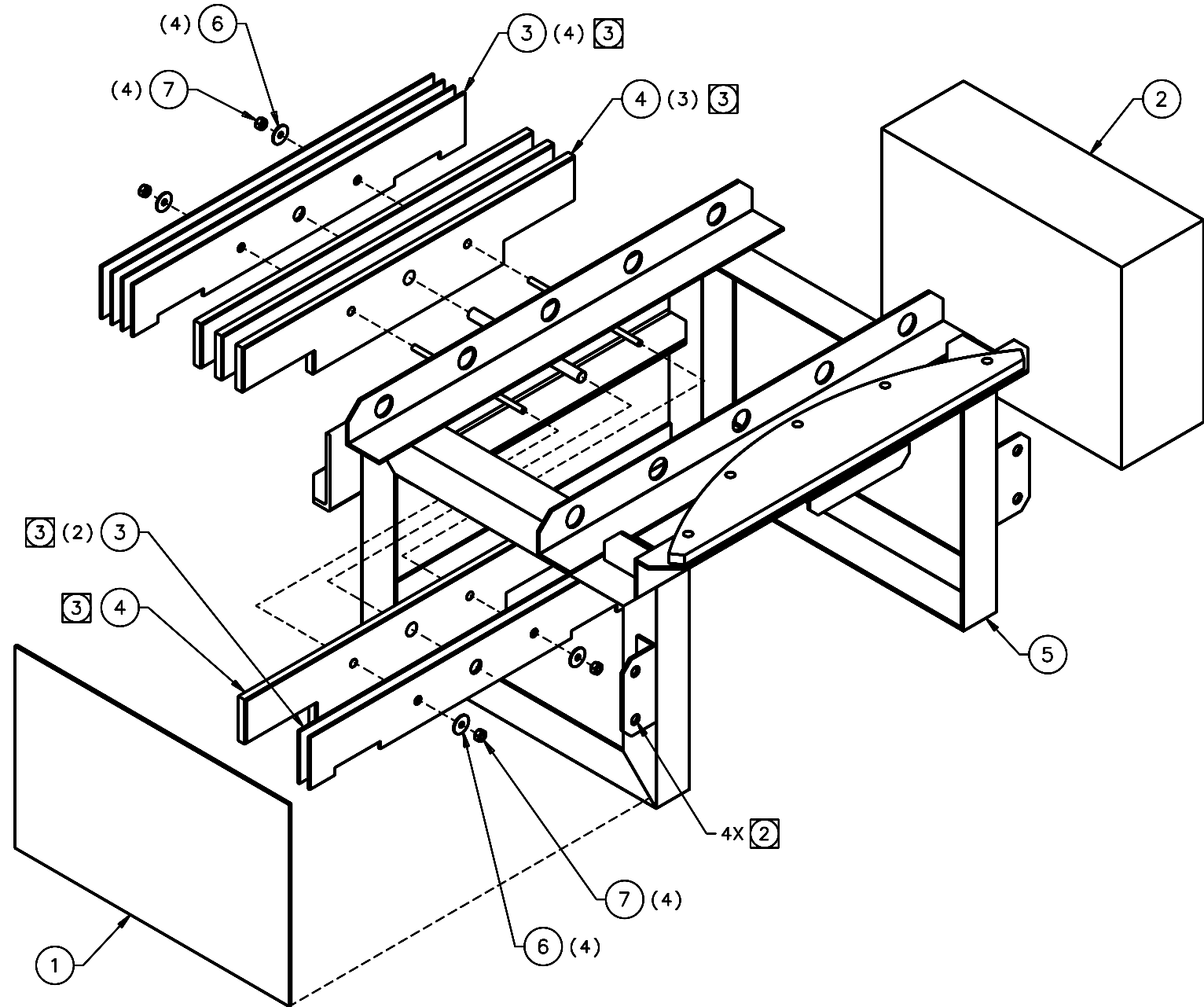


REVISIONS				
LTR	DESCRIPTION	DATE	REVISED BY	APPROVED
A	INITIAL RELEASE	4/20/05	R. NAGY	W. DAVISON



### ISO VIEWS

SCALE NTS  
ADDITIONAL ASSEMBLY VIEWS ON SHTs 2 & 3

#### NOTES:

- 1 ITEMS 1 & 2 SUPPLIED BY STEWARD OBSERVATORY. TELESCOPE TECHNICIANS TO DETERMINE POSITION & ATTACHING METHOD.
- 2 NOTED HOLES ARE TO BE DRILLED WHEN THE CART COUNTERWEIGHT WELDMENT (14770) IS PLACED TOGETHER WITH THE CART AS SPECIFIED PER THE 14522 FRAME WELDMENT & COUNTERWEIGHT ASSEMBLY.
- 3 DEPENDING ON CG REQUIREMENTS WHEN INSTALLED ON TELESCOPE, ITEMS 3 & 4 WEIGHTS MAY NEED TO BE RE-POSITIONED AND/OR CUT UP AS REQUIRED.

QTY PER ASSY	PART NUMBER	PART DESCRIPTION	MANUFACTURER or MAT'L SPEC	ITEM NO.
4	94895A823	1/2-13 HEX NUT, ZINC PLATED	McMASTER-CARR	7
4	90108A033	1/2" WASHER, ZINC PLATED, .563 I.D. x 1.375 O.D. x .109 THK	McMASTER-CARR	6
1	14770	CART COUNTERWEIGHT WELDMENT (APPROX 850 LBS.)		5
4	14646	CART COUNTERWEIGHT-66.6 LBS		4
6	14645	CART COUNTERWEIGHT-14.5 LBS		3
1	NEMA, NBB-15258	ELEC BOX, 28.91 H x 21.03 W x 9.87 D (OTSIDE DIMs) (17.2 LBS.)	PLASTIC	2
1	-	PLATE, 33 x 21 x .250 THK (16.9 LBS.)	ALUM	1

1  
1

DO NOT SCALE DRAWING		THIS DRAWING CREATED IN:		Steward Observatory, University of Arizona		
INTERPRET DIMENSIONS AND TOLERANCES IN ACCORDANCE WITH ASME Y14.5M-94		ACAD	MECH	IDEAS	933 N. Cherry Avenue, Tucson, AZ 85721 (520)621-7659	
TOLERANCES UNLESS OTHERWISE SPECIFIED		<input type="checkbox"/>	<input type="checkbox"/>	<input checked="" type="checkbox"/>	DESIGNED BY:	D. DEAN
LINEAR				DATE:	1/2/05	CATEGORY: MMT
ANGULAR				DRAWN BY:	D. DEAN/R. NAGY	3/7/05
.1 - NA				CHECKED BY:	T. HOPPER	4/13/05
.XX - NA				APPROVED:	J. BECHTOLD	4/20/05
.XXX - NA				APPROVED:	R. WARNER	4/20/05
DIAMETRICAL SEE SPEC S-002				APPROVED:		
DIMENSIONS ARE IN INCHES / DIMENSIONS IN METERS				APPROVED:		
MATERIAL	14522	MMT	NEXT ASSY	USED ON	PLLOT SIZE SCALE:	D -
FINISH	-	ASSEMBLY APPLICATION	CURRENT TIME/DATE/FILE LOCATION:	DRAWING NUMBER:	14523	REVISION: A
DRAWING ARCHIVE LOCATION: <a href="http://davinci.as.arizona.edu/ccad/default.html">http://davinci.as.arizona.edu/ccad/default.html</a>				SHEET 1 OF 3		