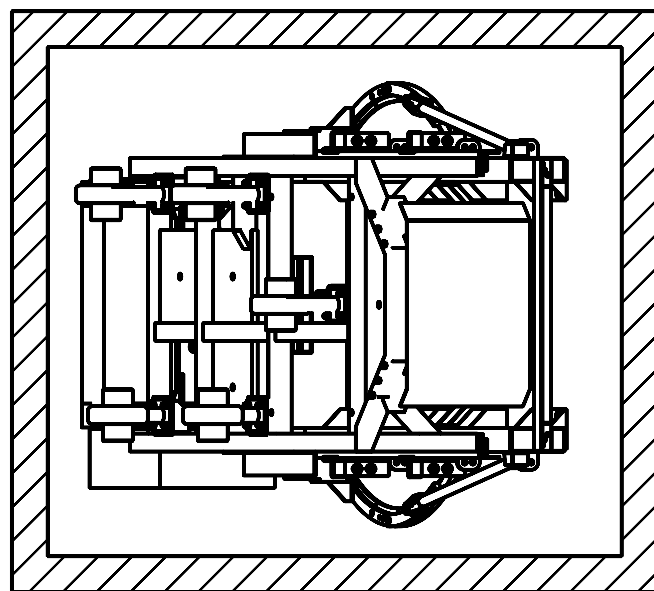
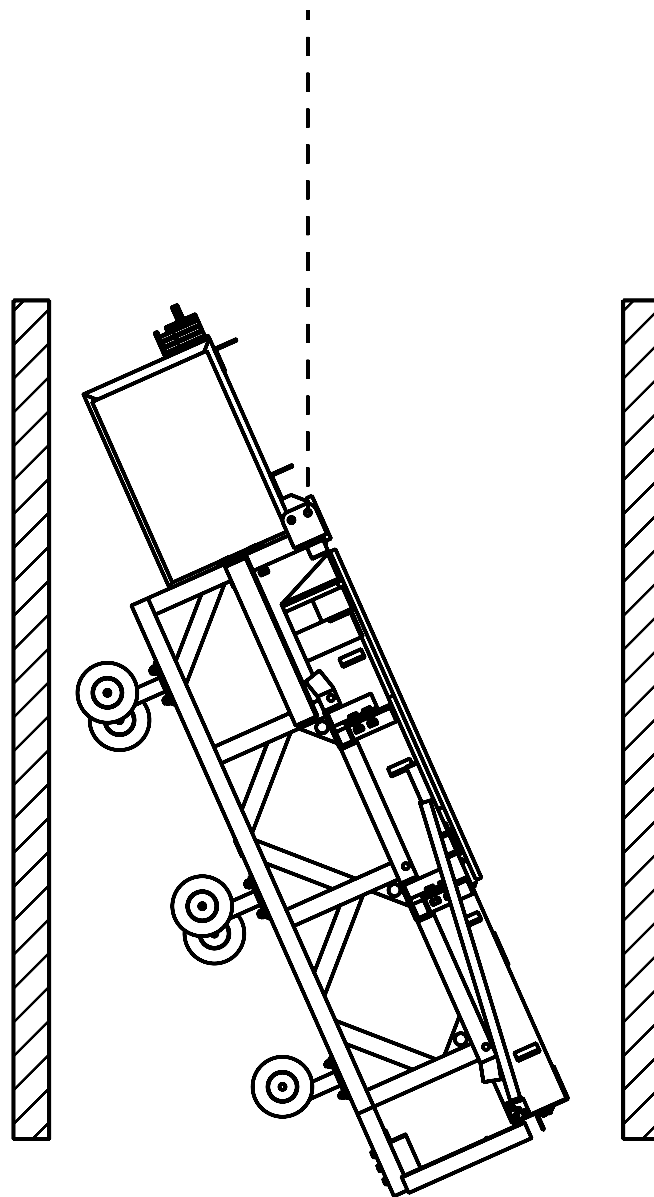


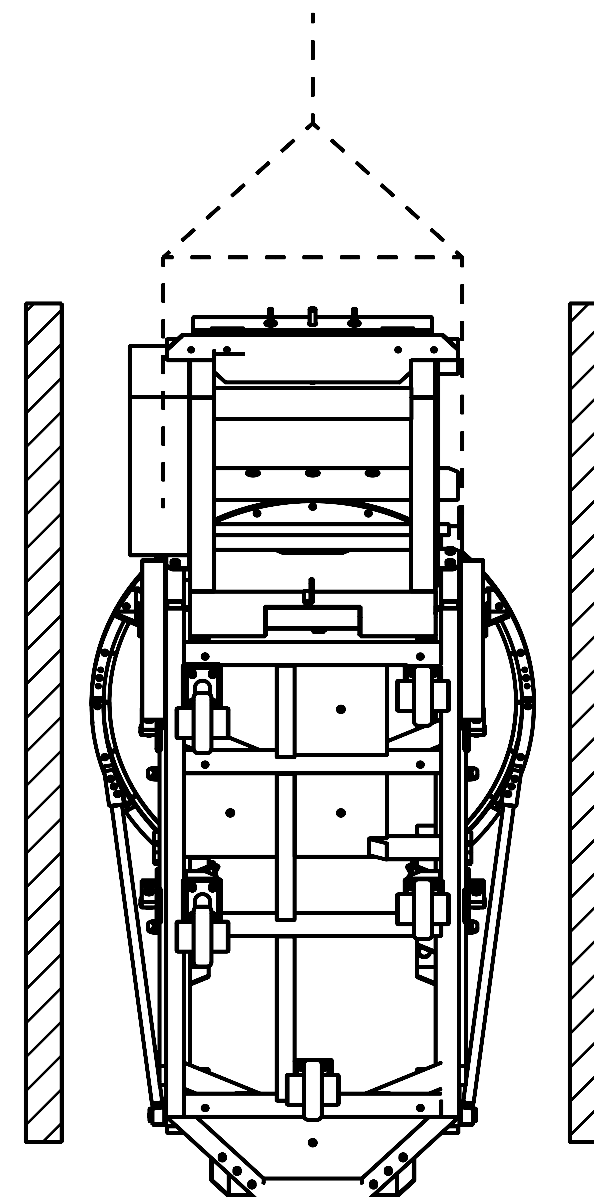
REVISIONS				
LTR	DESCRIPTION	DATE	REVISED BY	APPROVED
A	INITIAL RELEASE	4/20/05	R. NAGY	W. DAVISON



MAESTRO & MMT HATCH PLAN VIEW



LIFTING & RIGGING DETAIL SIDE VIEW



LIFTING & RIGGING DETAIL FRONT VIEW

DO NOT SCALE DRAWING INTERPRET DIMENSIONS AND TOLERANCES IN ACCORDANCE WITH ASME Y14.5M-94	THIS DRAWING CREATED IN:			Steward Observatory, University of Arizona 933 N. Cherry Avenue, Tucson, AZ 85721 (520)621-7659			
	ACAD <input type="checkbox"/>	MECH <input type="checkbox"/>	IDEAS <input checked="" type="checkbox"/>	DESIGNED BY: D. DEAN/R. NAGY	DATE: 3/1/05	CATEGORY: MMT	
TOLERANCES UNLESS OTHERWISE SPECIFIED LINEAR ANGULAR .1 NA .05 NA .02 NA DIAMETRICAL SEE SPEC S-002	TBD	MMT	APPROVED:	DRAWN BY: D. DEAN	4/5/05	PROJECT: MAESTRO	
	NEXT ASSY	USED ON	APPROVED:	CHECKED BY: T. HOPPER	4/13/05	TITLE: CART FRAME WELDMENT & COUNTERWEIGHT ASSMBLY	
MATERIAL			APPROVED: R. WARNER	4/20/05	DRAWING NUMBER: 14522		REVISION: A
FINISH	ASSEMBLY APPLICATION			CURRENT TIME/DATE/FILE LOCATION:		DRAWING ARCHIVE LOCATION: http://davinci.as.arizona.edu/ccad/default.html	