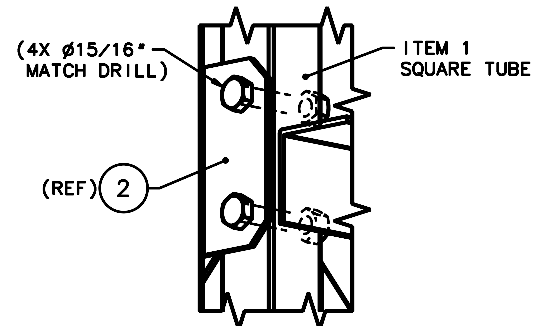
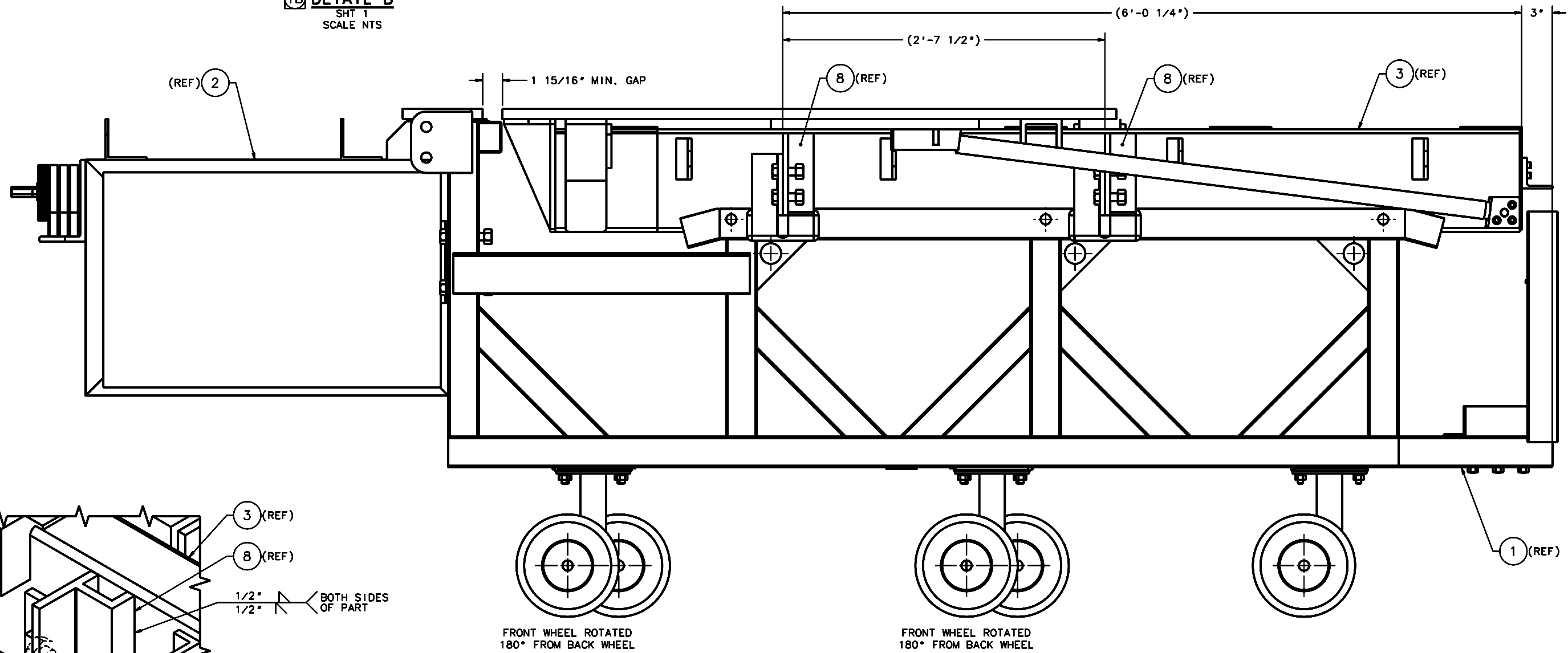


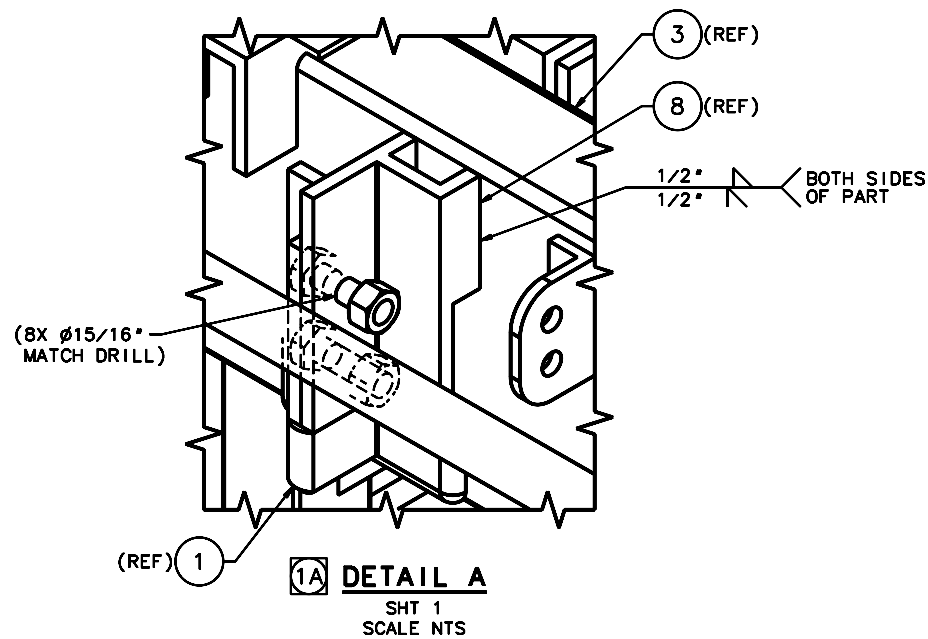
REVISIONS				
LTR	DESCRIPTION	DATE	REVISED BY	APPROVED
A	INITIAL RELEASE	4/20/05	R. NAGY	W. DAVISON



(1B) DETAIL B
SHT 1
SCALE NTS



SIDE VIEW
SCALE 3:16



(1A) DETAIL A
SHT 1
SCALE NTS

DO NOT SCALE DRAWING INTERPRET DIMENSIONS AND TOLERANCES IN ACCORDANCE WITH ASME Y14.5M-94		THIS DRAWING CREATED IN: ACAD <input type="checkbox"/> MECH <input type="checkbox"/> IDEAS <input checked="" type="checkbox"/>		Steward Observatory, University of Arizona 933 N. Cherry Avenue, Tucson, AZ 85721 (520)621-7659	
TOLERANCES UNLESS OTHERWISE SPECIFIED LINEAR .XX - NA .XXX - NA ANGULAR NA DIAMETRICAL SEE SPEC S-002		DESIGNED BY: D. DEAN/R. NAGY	DATE: 3/1/05	CATEGORY: MMT	
MATERIAL -		DRAWN BY: D. DEAN	4/5/05	PROJECT: MAESTRO	
FINISH -		CHECKED BY: T. HOPPER	4/13/05	TITLE: CART FRAME WELDMENT & COUNTERWEIGHT ASSMBLY	
ASSEMBLY APPLICATION		APPROVED BY: J. BECHTOLD	4/20/05	PLOT SIZE SCALE: D -	
		APPROVED BY: R. WARNER	4/20/05	DRAWING NUMBER: 14522	
		CURRENT TIME/DATE/FILE LOCATION:		REVISION: A	
		DRAWING ARCHIVE LOCATION: http://davinci.as.arizona.edu/ccad/default.html		SHEET 3 OF 4	