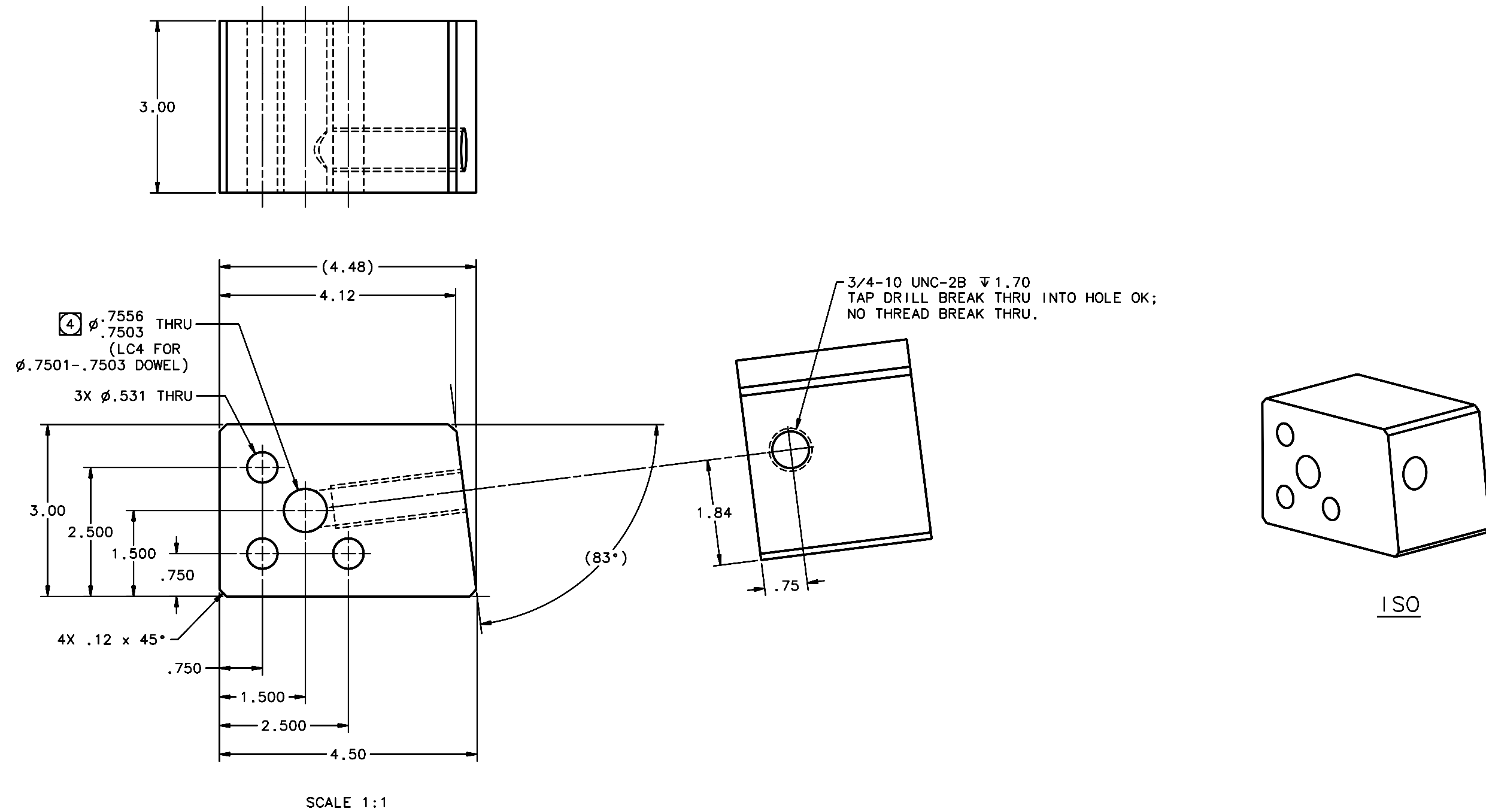


REVISIONS				
LTR	DESCRIPTION	DATE	REVISED BY	APPROVED
A	INITIAL RELEASE	11/17/05	R. NAGY	J. BECHTOLD



NOTES:

- BREAK SHARP EDGES & DEBURR.
- MACHINED SURFACE FINISH TO BE 125 RMS OR BETTER.
- ANODIZE PER MIL-A-8625, TYPE II, CLASS 2, BLACK.
- NOTED HOLE SIZE IS AFTER ANODIZE;
ALL OTHER DIMENSIONS ARE BEFORE.
- QTY REQD: 1.

OPPOSITE HAND OF 16084

DO NOT SCALE DRAWING		THIS DRAWING CREATED IN:		Steward Observatory, University of Arizona	
INTERPRET DIMENSIONS AND TOLERANCES IN ACCORDANCE WITH ASME Y14.5M-94		ACAD <input type="checkbox"/>	MECH <input type="checkbox"/>	933 N. Cherry Avenue, Tucson, AZ 85721 (520)621-7659	
TOLERANCES UNLESS OTHERWISE SPECIFIED				DESIGNED BY: D. DEAN	DATE: 08/16/05
LINEAR	ANGULAR			DRAWN BY: D. DEAN	10/19/05
.1	±1°			CHECKED BY: R. NAGY	11/14/05
.05				APPROVED: J. BECHTOLD	11/17/05
.02				APPROVED:	
.01				APPROVED:	
DIAMETRICAL SEE SPEC S-002				APPROVED:	
MATERIAL 6061-T6 Al		16070	MMT-MAESTRO	PROJECT: MAESTRO	
FINISH ③		NEXT ASSY	USED ON	TITLE: TRUSS SPACE FRAME TO WELDEMENT REAR BRACE BLOCK TYPE 1 LH	
ASSEMBLY APPLICATION		CURRENT TIME/DATE/FILE LOCATION:		PLOT SIZE SCALE: D -	DRAWING NUMBER: 16083
DRAWING ARCHIVE LOCATION: http://dovinci.as.arizona.edu/ccad/default.html		REVISION: A		SHEET 1 OF 1	