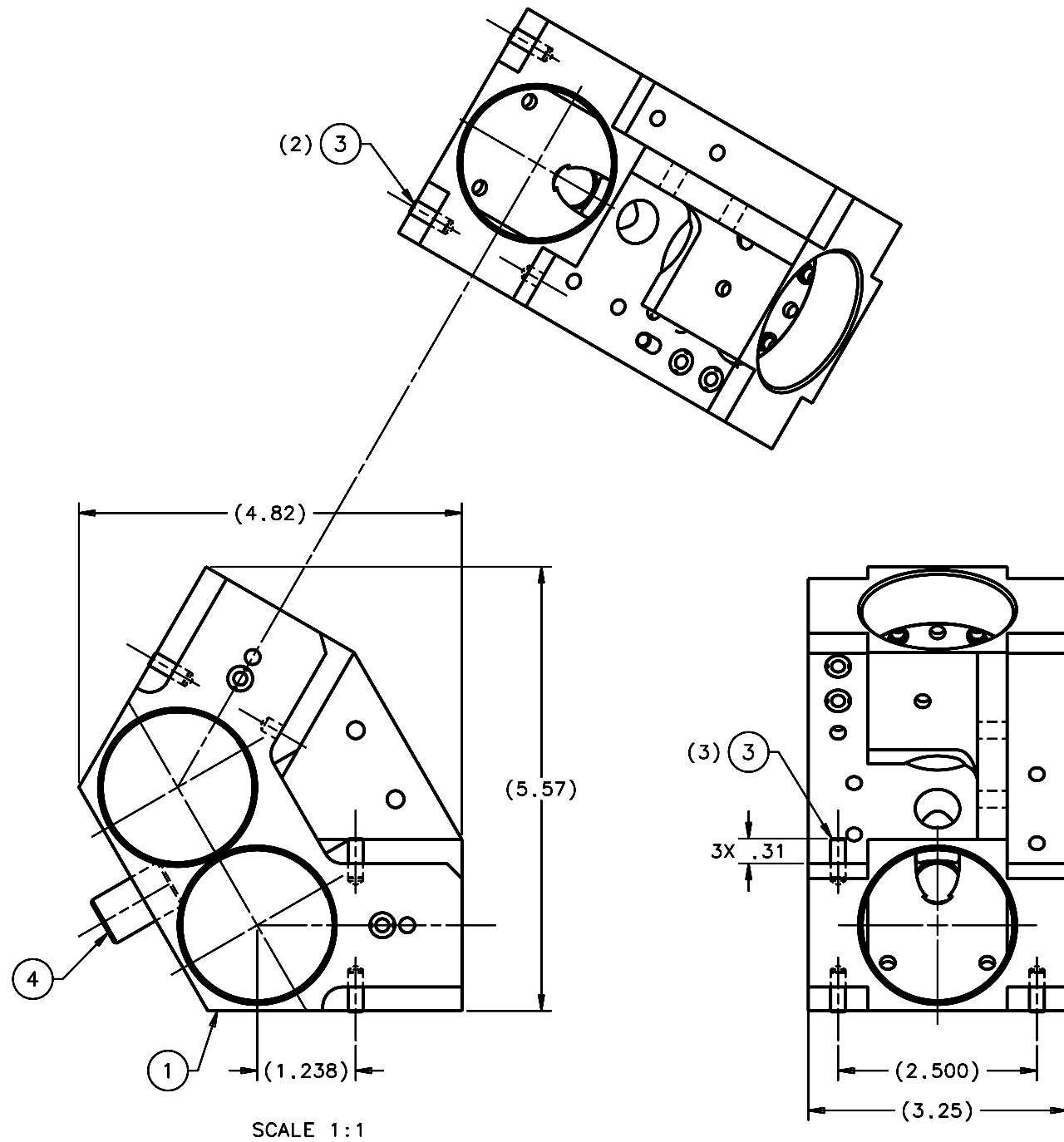
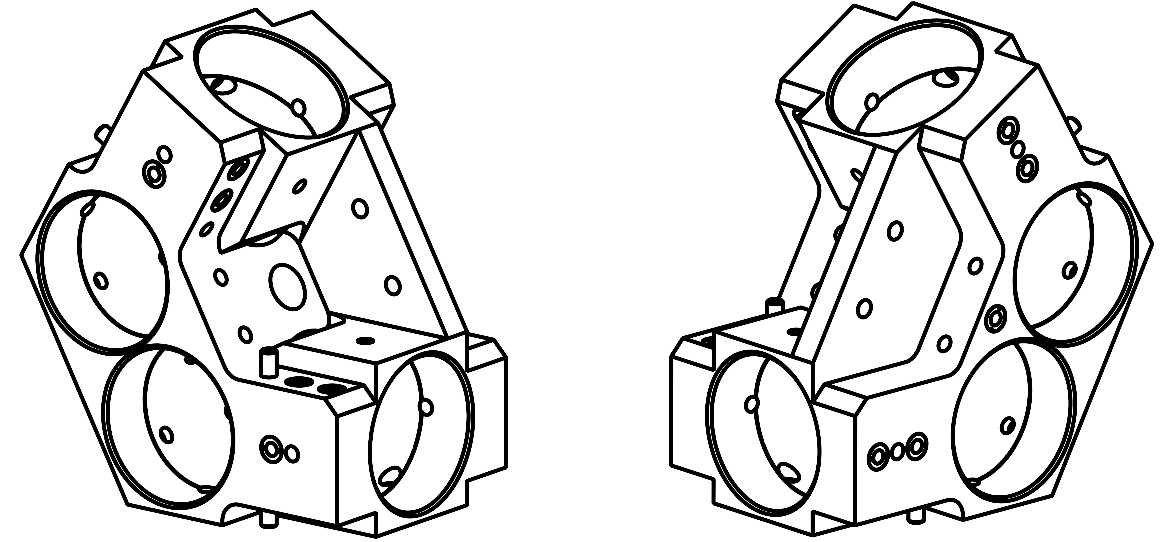


REVISIONS				
LTR	DESCRIPTION	DATE	REVISED BY	APPROVED
A	INITIAL RELEASE	10/19/05	R. NAGY	J. BECHTOLD



SCALE 1:1



SCALE NTS

NOTES:
1. QTY REQD: 1.

QTY PER ASSY	QTY PER ASSY	QTY PER ASSY	PART NUMBER	PART DESCRIPTION	MANUFACTURER or MAT'L SPEC	ITEM NO.
	1		90145A739	DOWEL PIN, STANDARD, $\phi 5/8$ (.6251-.6253) x 1 LG, 18-8 SS	McMASTER-CARR	4
	5		90145A505	DOWEL PIN, STANDARD, $\phi 3/16$ (.1876-.1878) x 1/2 LG, 18-8 SS	McMASTER-CARR	3
						2
	1		13249	BASIC APEX FITTING W/O EAR		1

LIST OF MATERIALS

DO NOT SCALE DRAWING INTERPRET DIMENSIONS AND TOLERANCES IN ACCORDANCE WITH ASME Y14.5M-94		THIS DRAWING CREATED IN: ACAD <input type="checkbox"/> MECH <input type="checkbox"/> IDEAS <input checked="" type="checkbox"/>		Steward Observatory, University of Arizona 933 N. Cherry Avenue, Tucson, AZ 85721 (520)621-7659	
TOLERANCES UNLESS OTHERWISE SPECIFIED LINEAR ANGLULAR .1 - NA .2 - 2.03 .3 - NA DIAMETRICAL SEE SPEC S-002		DESIGNED BY: D. DEAN	DATE: 8/27/05	CATEGORY: MMT	
MATERIAL -		DRAWN BY: R. NAGY	9/1/05	PROJECT: MAESTRO	
FINISH -		CHECKED BY: J. BECHTOLD	10/19/05	TITLE: TRUSS FRAME- DEWAR OUTER ATTACHMENT "R" APEX FITTING	
ASSEMBLY APPLICATION		APPROVED: R. WARNER	10/19/05	PLOT SIZE SCALE: D -	DRAWING NUMBER: 16022
CURRENT TIME/DATE/FILE LOCATION:		APPROVED:		REVISION: A	
DRAWING ARCHIVE LOCATION: http://dovinci.as.arizona.edu/ccad/default.html		SHEET 1 OF 1			