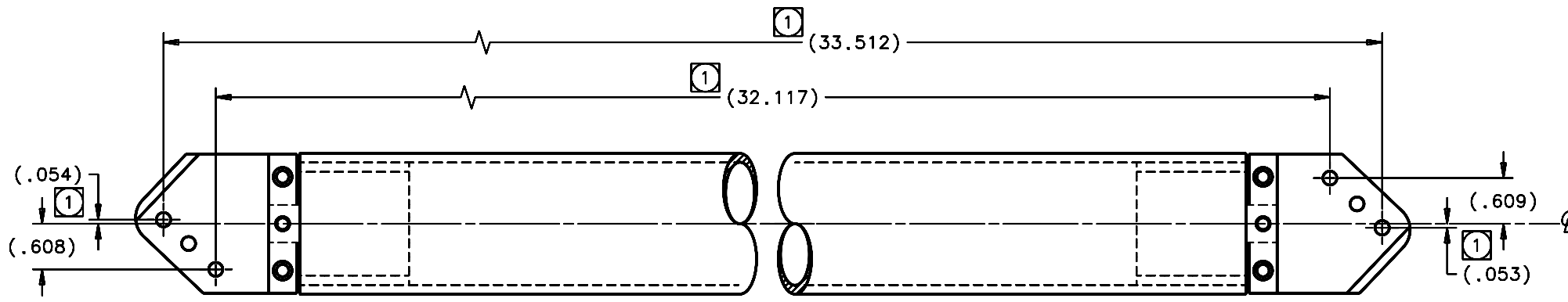
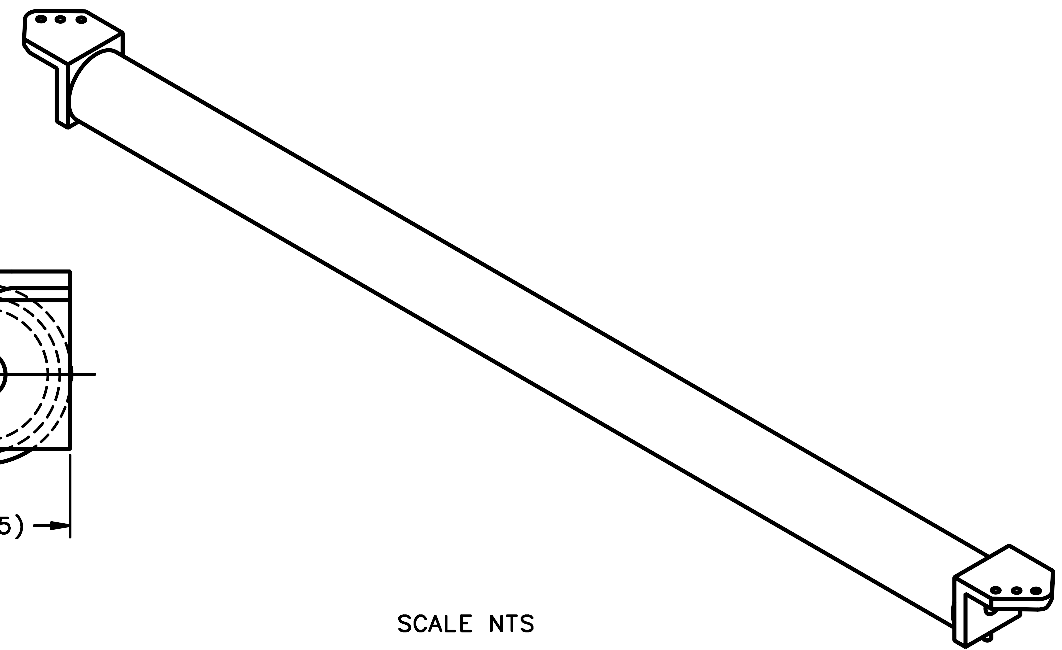
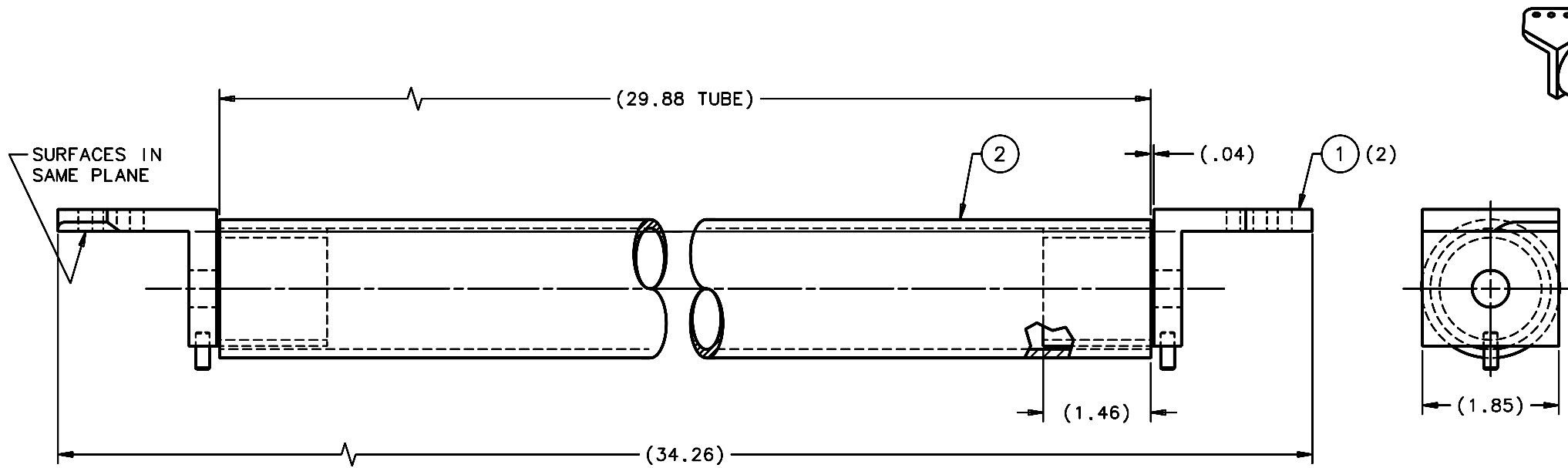


REVISIONS				
LTR	DESCRIPTION	DATE	REVISED BY	APPROVED
A	INITIAL RELEASE	12/7/05	R. NAGY	J. BECHTOLD



SCALE 1:1

QTY PER ASSY	AR	TBD	ADHESIVE	MANUFACTURER of MAT'L SPEC	ITEM NO.
-3	-2	-1			
1		13276-2	26.88" DIAGONAL BRACE TUBE		2
2		13241	"LL" END FITTING		1

- NOTES:
- 1 BOND ITEMS 1 & 2 TOGETHER USING ITEM 4 ADHESIVE AS REQUIRED. FIXTURE AS REQUIRED TO HOLD IN PLACE DURING CURING.
 - 2. QTY REQD: 1.

DO NOT SCALE DRAWING INTERPRET DIMENSIONS AND TOLERANCES IN ACCORDANCE WITH ASME Y14.5M-94		THIS DRAWING CREATED IN: ACAD <input type="checkbox"/> MECH <input type="checkbox"/> IDEAS <input checked="" type="checkbox"/>		Steward Observatory, University of Arizona 933 N. Cherry Avenue, Tucson, AZ 85721 (520)621-7659	
TOLERANCES UNLESS OTHERWISE SPECIFIED LINEAR .X = NA .XX = NA .XXX = NA ANGULAR NA DIAMETRICAL SEE SPEC S-002		DESIGNED BY: D. DEAN/R. NAGY DATE: 9/16/05		CATEGORY: MMT	
MATERIAL: -		DRAWN BY: R. NAGY DATE: 9/16/05		PROJECT: MAESTRO	
FINISH: -		CHECKED BY: J. BECHTOLD DATE: 10/19/05		TITLE: TRUSS FRAME "LL" DIAGONAL BRACE	
ASSEMBLY APPLICATION		APPROVED BY: J. BECHTOLD DATE: 12/7/05		DRAWING NUMBER: 16007	
		APPROVED BY: R. WARNER DATE: 12/7/05		REVISION: A	
		CURRENT TIME/DATE/FILE LOCATION:		PLOT SIZE SCALE: D -	
		DRAWING ARCHIVE LOCATION: http://dovinc1.as.arizona.edu/ccod/default.html		SHEET 1 OF 1	