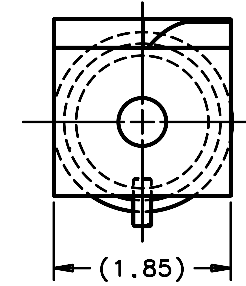
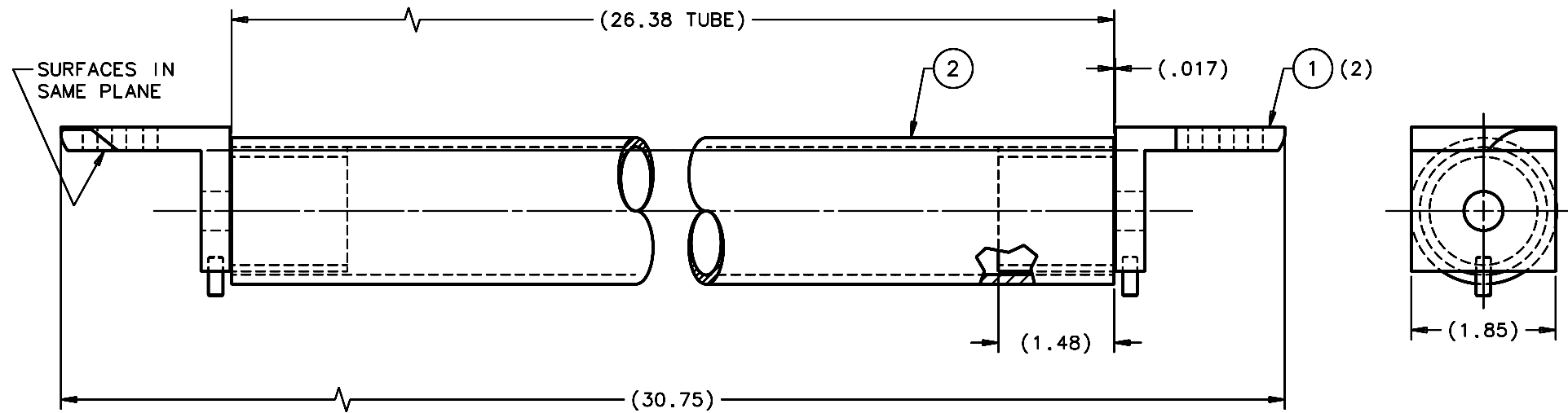
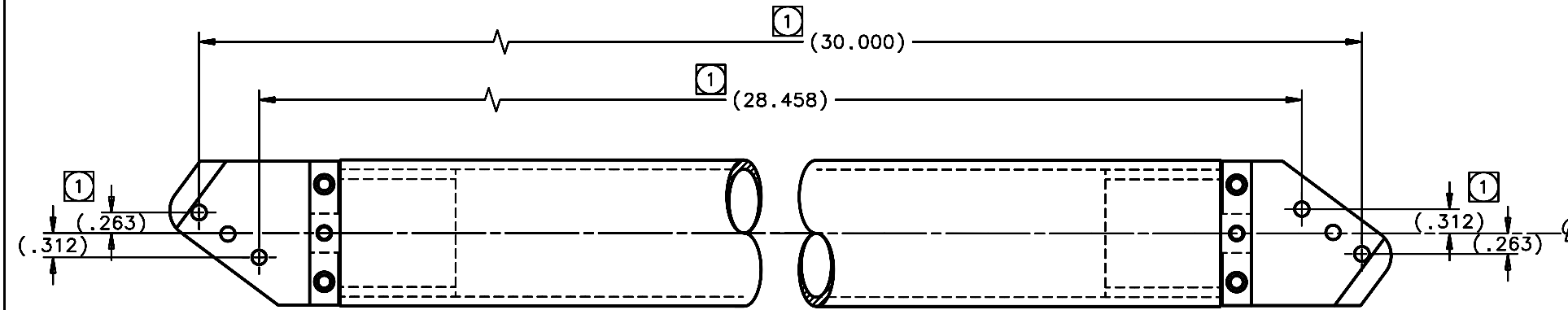


REVISIONS				
LTR	DESCRIPTION	DATE	REVISED BY	APPROVED
A	INITIAL RELEASE	12/7/05	R. NAGY	J. BECHTOLD



SCALE NTS



SCALE 1:1

NOTES:
 1 BOND ITEMS 1 & 2 TOGETHER USING ITEM 4 ADHESIVE AS REQUIRED. FIXTURE AS REQUIRED TO HOLD IN PLACE DURING CURING.
 2. QTY REQD: 4.

QTY PER ASSY	PART NUMBER	PART DESCRIPTION	MANUFACTURER of MAT'L SPEC	ITEM NO.
-3	-2	-1		
	AR	TBD	ADHESIVE	4
				3
1	13276-1	26.38" DIAGONAL BRACE TUBE		2
2	13237	"L" END FITTING		1

DO NOT SCALE DRAWING INTERPRET DIMENSIONS AND TOLERANCES IN ACCORDANCE WITH ASME Y14.5M-94		THIS DRAWING CREATED IN: ACAD <input type="checkbox"/> MECH <input type="checkbox"/> IDEAS <input checked="" type="checkbox"/>		Steward Observatory, University of Arizona 933 N. Cherry Avenue, Tucson, AZ 85721 (520)621-7659	
TOLERANCES UNLESS OTHERWISE SPECIFIED LINEAR .X = NA .XX = NA .XXX = NA ANGULAR NA DIAMETRICAL SEE SPEC S-002		DESIGNED BY: D. DEAN/R. NAGY DRAWN BY: R. NAGY CHECKED BY: J. BECHTOLD APPROVED: J. BECHTOLD APPROVED: R. WARNER		DATE: 9/16/05 CATEGORY: MMT PROJECT: MAESTRO TITLE: TRUSS FRAME "L" DIAGONAL BRACE	
MATERIAL	13234	MMT-MAESTRO	APPROVED:	PLOT SIZE SCALE:	D -
FINISH		ASSEMBLY APPLICATION	APPROVED:	DRAWING NUMBER:	16005
CURRENT TIME/DATE/FILE LOCATION:			REVISION: A		
DRAWING ARCHIVE LOCATION: http://dovinc1.es.arizona.edu/ocod/default.html			SHEET 1 OF 1		