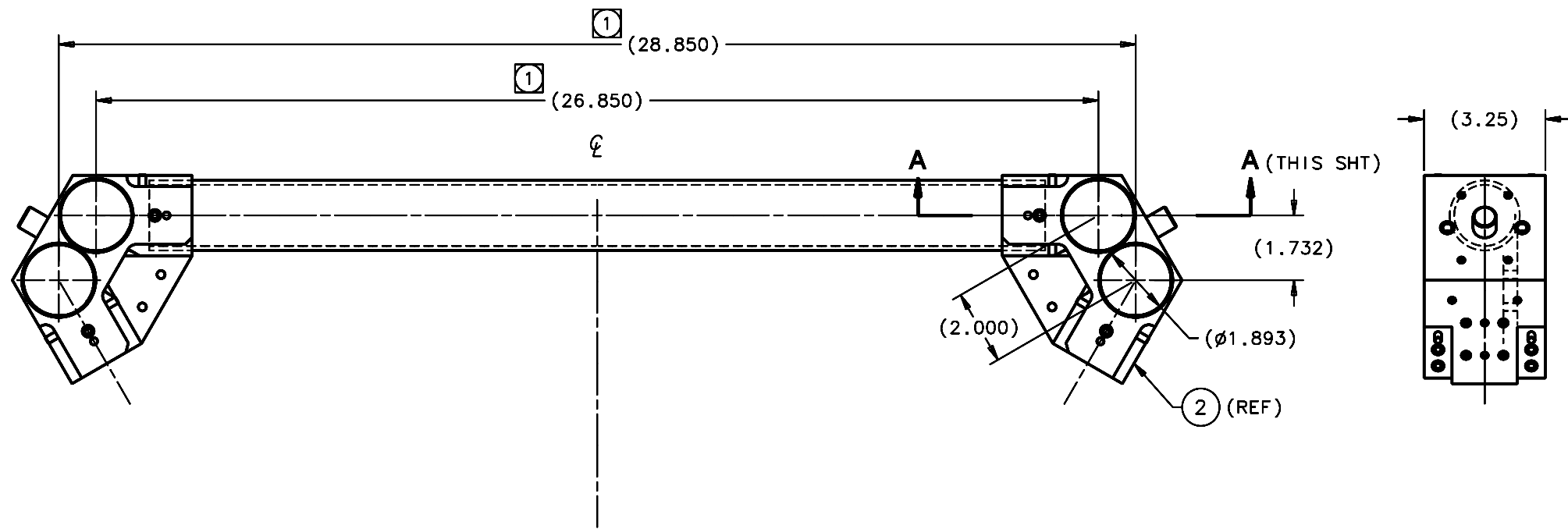
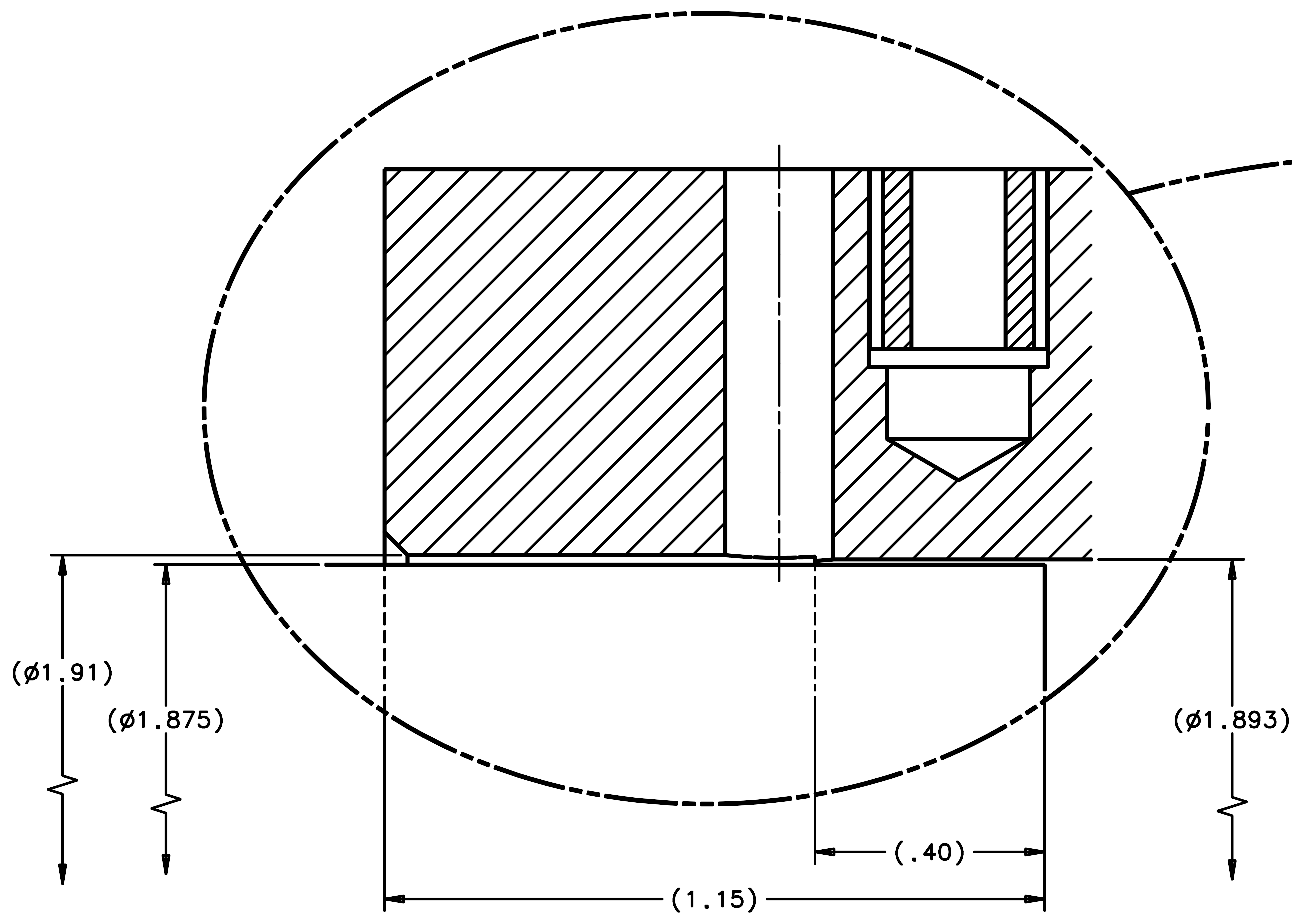


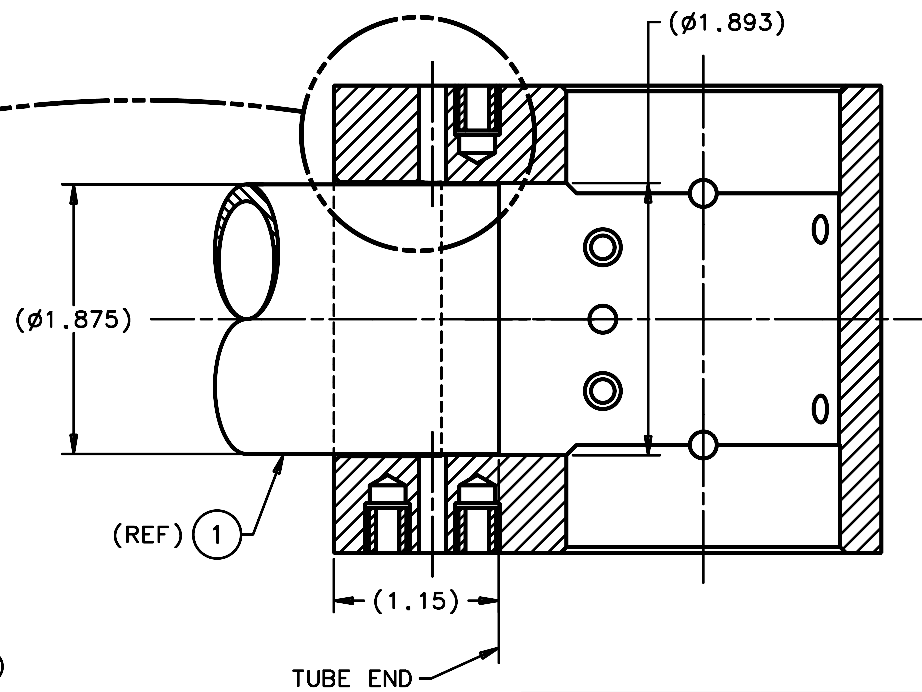
REVISIONS				
LTR	DESCRIPTION	DATE	REVISED BY	APPROVED
A	INITIAL RELEASE	12/7/05	R. NAGY	J. BECHTOLD



SCALE 1:2



SCALE 6:1



DO NOT SCALE DRAWING INTERPRET DIMENSIONS AND TOLERANCES IN ACCORDANCE WITH ASME Y14.5M-94		THIS DRAWING CREATED IN: ACAD <input type="checkbox"/> MECH <input type="checkbox"/> IDEAS <input checked="" type="checkbox"/>		Steward Observatory, University of Arizona 933 N. Cherry Avenue, Tucson, AZ 85721 (520)621-7659	
TOLERANCES UNLESS OTHERWISE SPECIFIED LINEAR ANGLAR .X - NA .XX - NA .XXX - NA DIAMETRICAL SEE SPEC S-002				DESIGNED BY: R. NAGY	DATE: 9/9/05
MATERIAL -		13234 MMT-MAESTRO		DRAWN BY: R. NAGY	9/29/05
FINISH -		NEXT ASSY USED ON		CHECKED BY: J. BECHTOLD	10/19/05
		ASSEMBLY APPLICATION		APPROVED: J. BECHTOLD	12/7/05
				APPROVED: R. WARNER	12/7/05
				APPROVED:	
				APPROVED:	
				CURRENT TIME/DATE/FILE LOCATION:	
				DRAWING ARCHIVE LOCATION: http://dovinc1.es.arizona.edu/ccod/default.html	
				PLOT SIZE SCALE: D -	DRAWING NUMBER: 16004
				REVISION: A	