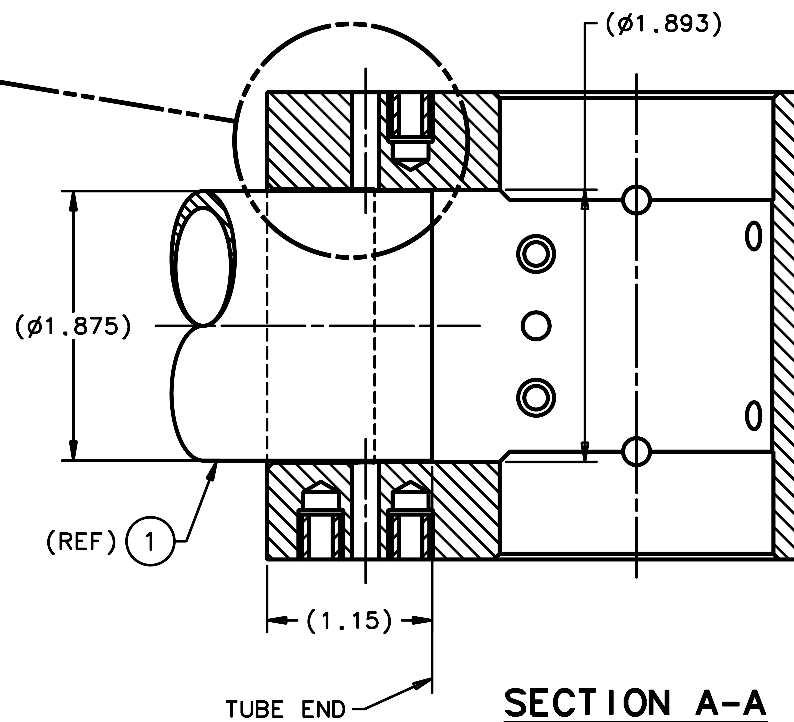
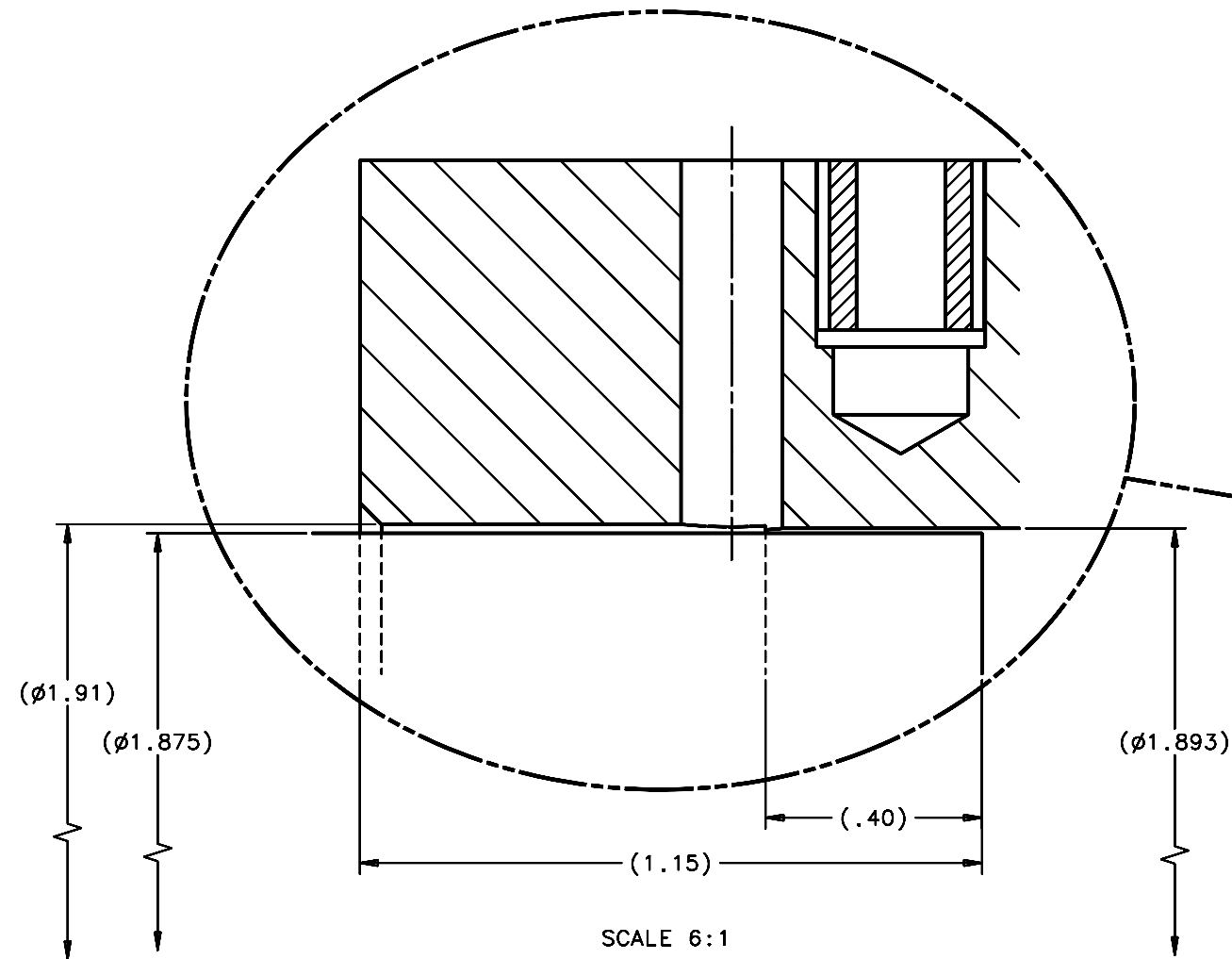


REVISIONS				
LTR	DESCRIPTION	DATE	REVISED BY	APPROVED
A	INITIAL RELEASE	12/7/05	R. NAGY	J. BECHTOLD



SECTION A-A
(SHT 2)
SCALE 1 1/2:1
TYP FITTING & TUBE ENGAGEMENT

DO NOT SCALE DRAWING INTERPRET DIMENSIONS AND TOLERANCES IN ACCORDANCE WITH ASME Y14.5M-94	THIS DRAWING CREATED IN:			Steward Observatory, University of Arizona 933 N. Cherry Avenue, Tucson, AZ 85721 (520)621-7659			
	ACAD <input type="checkbox"/>	MECH <input type="checkbox"/>	IDEAS <input checked="" type="checkbox"/>	DESIGNED BY: D. DEAN	DATE: 11/7/02	CATEGORY: MMT	
TOLERANCES UNLESS OTHERWISE SPECIFIED LINEAR ANGULAR .1 NA .25 NA .5 NA DIAMETRICAL SEE SPEC S-002				DRAWN BY: R. NAGY	10/12/05	PROJECT: MAESTRO	
				CHECKED BY: J. BECHTOLD	10/19/05	TITLE: TRUSS SPACE FRAME DEWAR INNER ATTACHMENT TRIANGULAR FRAME	
MATERIAL -				APPROVED: R. WARNER	12/7/05	PLOT SIZE SCALE: DRAWING NUMBER: REVISION:	
	13234	MMT-MAESTRO				D -	16003 A
FINISH -	ASSEMBLY APPLICATION			CURRENT TIME/DATE/FILE LOCATION: DRAWING ARCHIVE LOCATION: http://dovinci.as.arizona.edu/ccad/default.html			