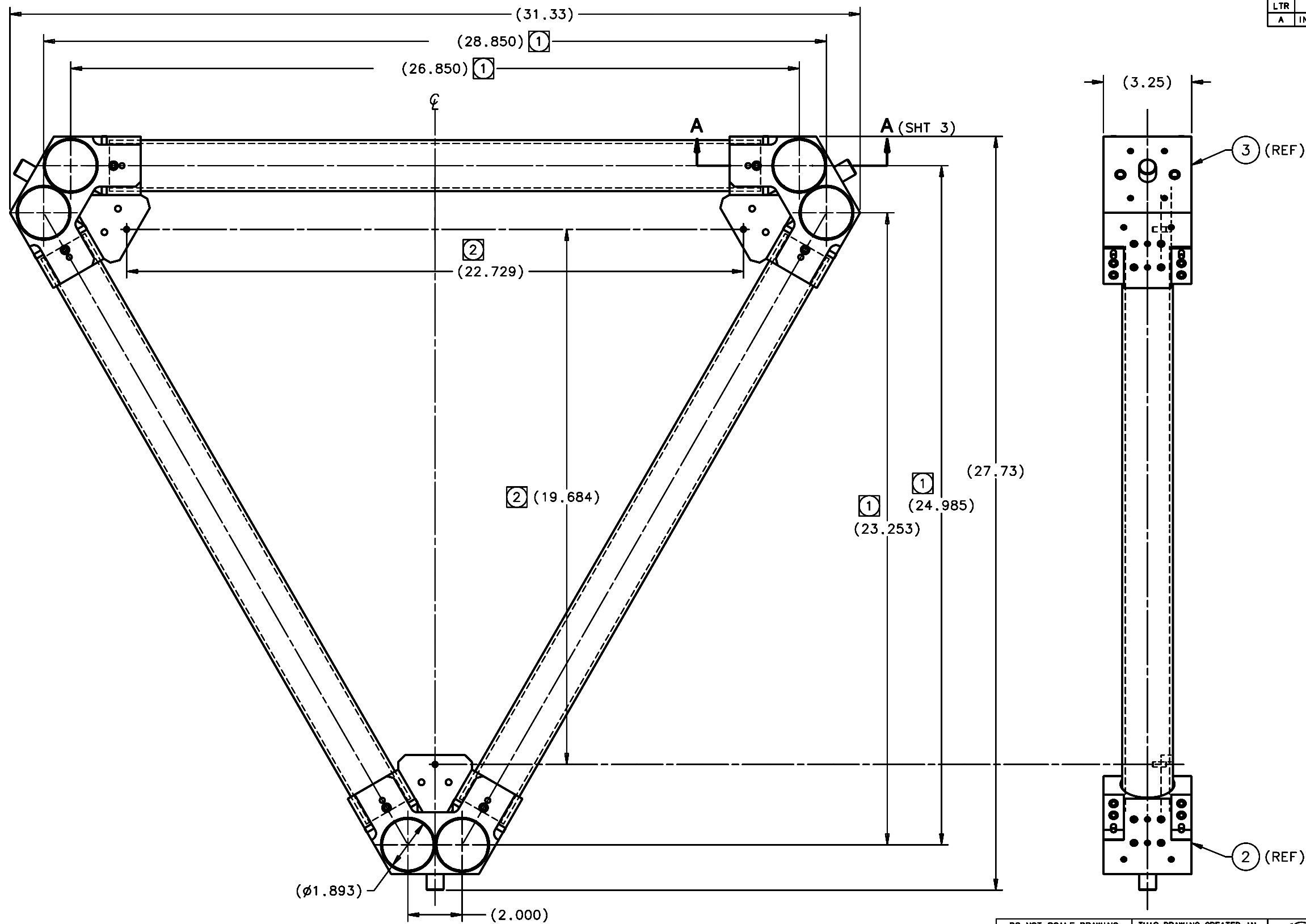


REVISIONS				
LTR	DESCRIPTION	DATE	REVISED BY	APPROVED
A	INITIAL RELEASE	12/7/05	R. NAGY	J. BECHTOLD



SCALE 1:2

DO NOT SCALE DRAWING INTERPRET DIMENSIONS AND TOLERANCES IN ACCORDANCE WITH ASME Y14.5M-94		THIS DRAWING CREATED IN: ACAD <input type="checkbox"/> MECH <input type="checkbox"/> IDEAS <input checked="" type="checkbox"/>		Steward Observatory, University of Arizona 933 N. Cherry Avenue, Tucson, AZ 85721 (520)621-7659	
TOLERANCES UNLESS OTHERWISE SPECIFIED LINEAR .1 - NA .05 - NA .02 - NA ANGULAR NA		DESIGNED BY: D. DEAN		DATE: 11/7/02	
DIAMETRICAL SEE SPEC S-002		DRAWN BY: R. NAGY		10/12/05	
MATERIAL -		CHECKED BY: J. BECHTOLD		10/19/05	
FINISH -		APPROVED BY: J. BECHTOLD		12/7/05	
		APPROVED BY: R. WARNER		12/7/05	
		NEXT ASSY USED ON		APPROVED:	
		ASSEMBLY APPLICATION		CURRENT TIME/DATE/FILE LOCATION:	
				DRAWING ARCHIVE LOCATION: <a href="http://dovinci.as.arizona.edu/ccad/default.html">http://dovinci.as.arizona.edu/ccad/default.html</a>	
				PROJECT: MMT	
				PROJECT: MAESTRO	
				TITLE: TRUSS SPACE FRAME DEWAR INNER ATTACHMENT TRIANGULAR FRAME	
				PLOT SIZE SCALE: D -	
				DRAWING NUMBER: 16003	
				REVISION: A	