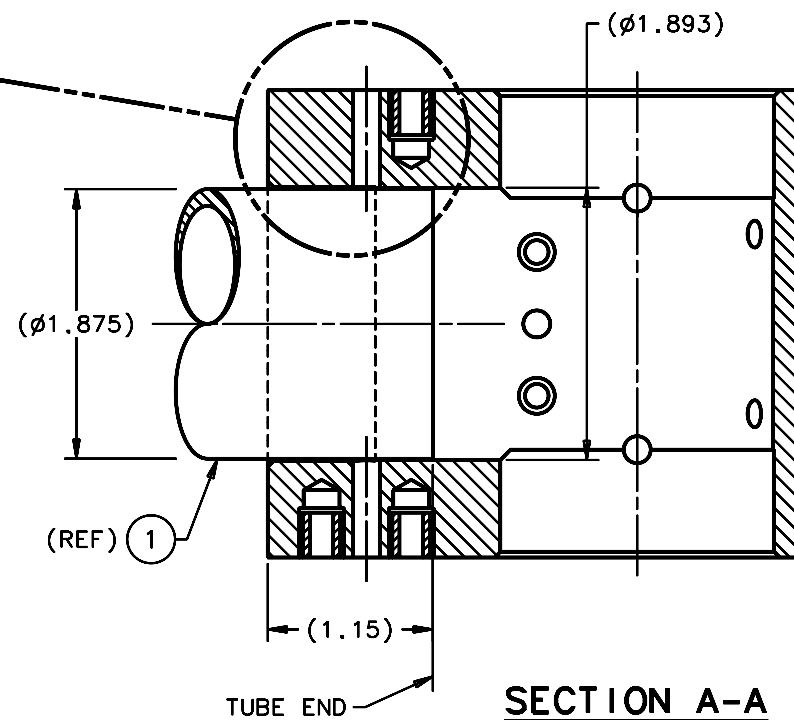
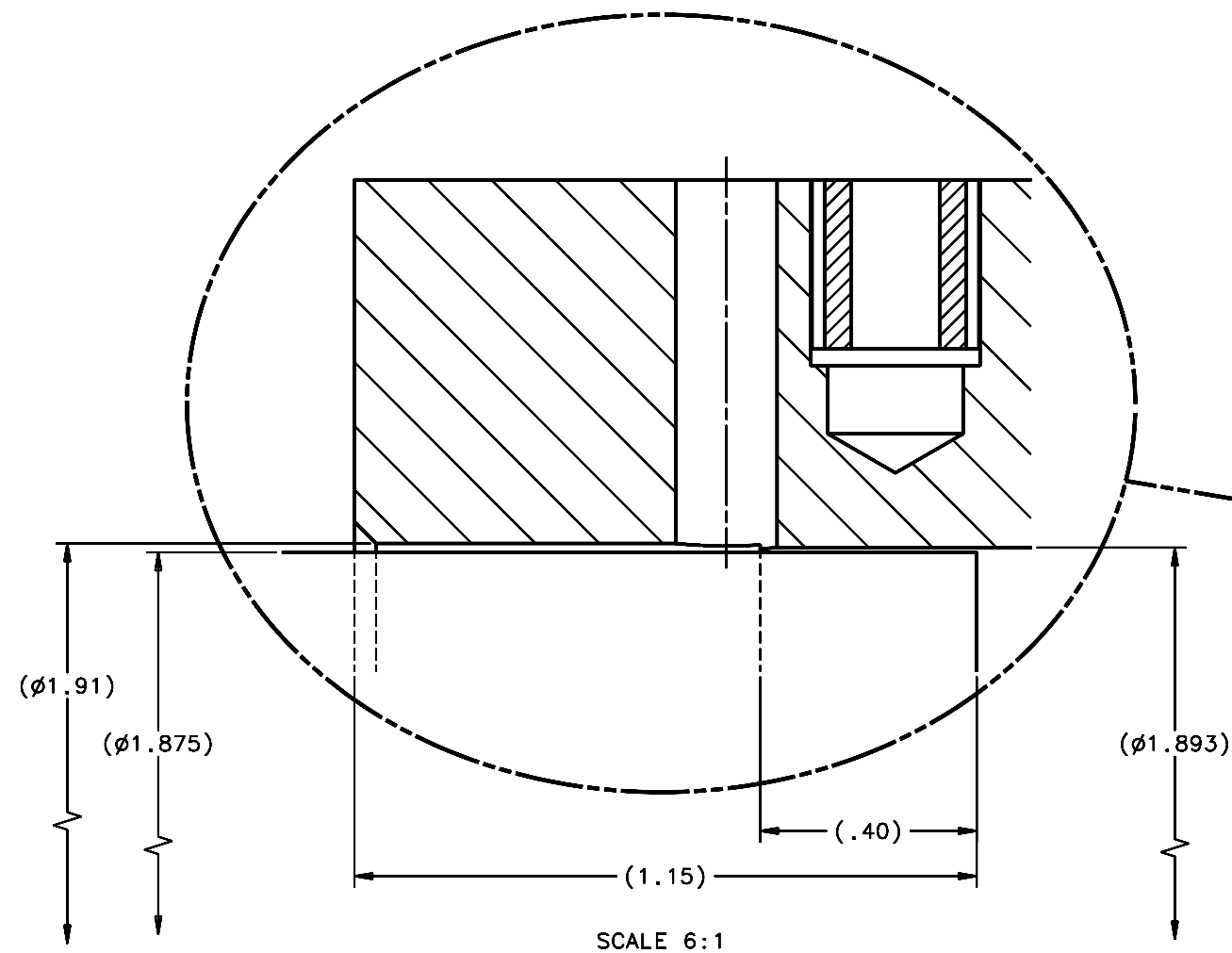


REVISIONS				
LTR	DESCRIPTION	DATE	REVISED BY	APPROVED
A	INITIAL RELEASE	12/7/05	R. NAGY	J. BECHTOLD



**SECTION A-A**  
(SHT 2)  
SCALE 1 1/2:1  
TYP FITTING & TUBE ENGAGEMENT

DO NOT SCALE DRAWING INTERPRET DIMENSIONS AND TOLERANCES IN ACCORDANCE WITH ASME Y14.5M-94		THIS DRAWING CREATED IN: ACAD <input type="checkbox"/> MECH <input type="checkbox"/> IDEAS <input checked="" type="checkbox"/>		Steward Observatory, University of Arizona 933 N. Cherry Avenue, Tucson, AZ 85721 (520)621-7659	
TOLERANCES UNLESS OTHERWISE SPECIFIED LINEAR .1 - NA ANGLAR .05 - NA .01 - NA .02 - NA .03 - NA .04 - NA DIAMETRICAL SEE SPEC S-002		DESIGNED BY: D. DEAN	DATE: 11/7/02	CATEGORY: MMT	
MATERIAL -		DRAWN BY: R. NAGY	10/12/05	PROJECT: MAESTRO	
FINISH -		CHECKED BY: J. BECHTOLD	10/19/05	TITLE: TRUSS SPACE FRAME DIAGONAL BRACE ATTACHMENT TRIANGULAR FRAME	
ASSEMBLY APPLICATION		APPROVED: R. WARNER	12/7/05	PLOT SIZE SCALE: D -	DRAWING NUMBER: 16002
CURRENT TIME/DATE/FILE LOCATION: DRAWING ARCHIVE LOCATION: <a href="http://dovinci.as.arizona.edu/ccad/default.html">http://dovinci.as.arizona.edu/ccad/default.html</a>		APPROVED:		REVISION: A	