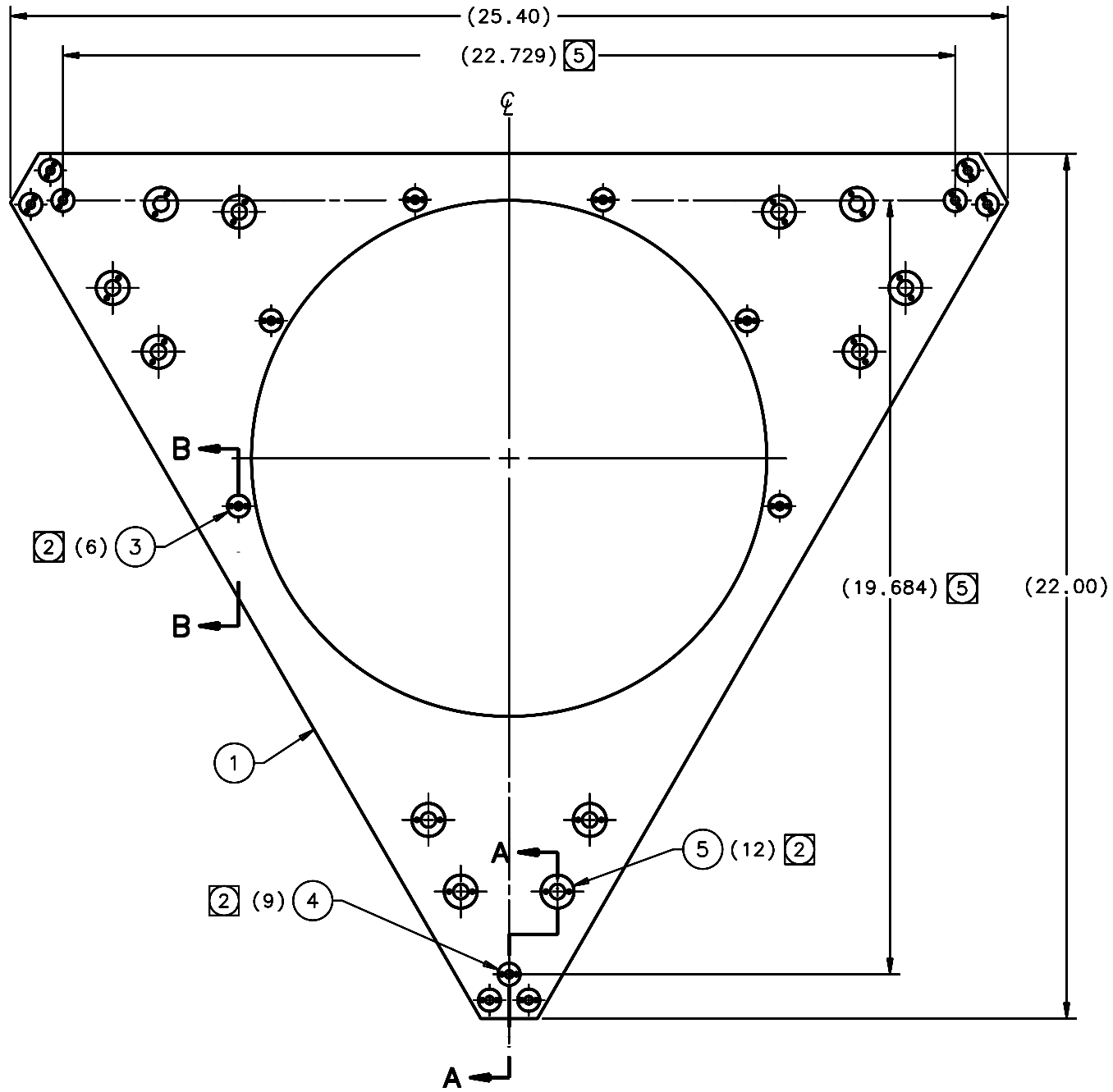
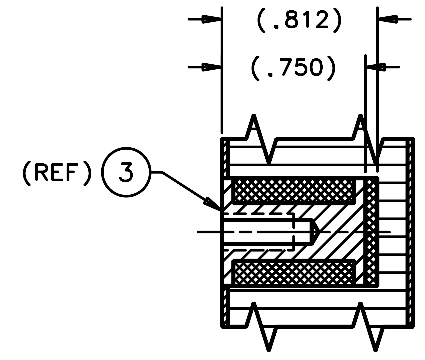


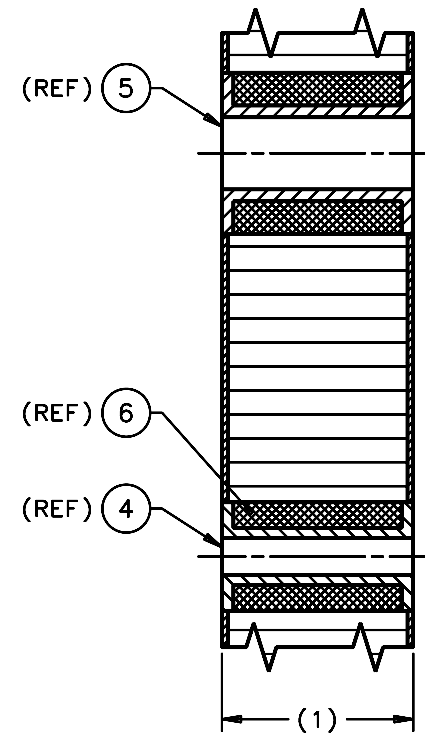
REVISIONS				
LTR	DESCRIPTION	DATE	REVISED BY	APPROVED
A	INITIAL RELEASE	12/7/05	R. NAGY	J. BECHTOLD



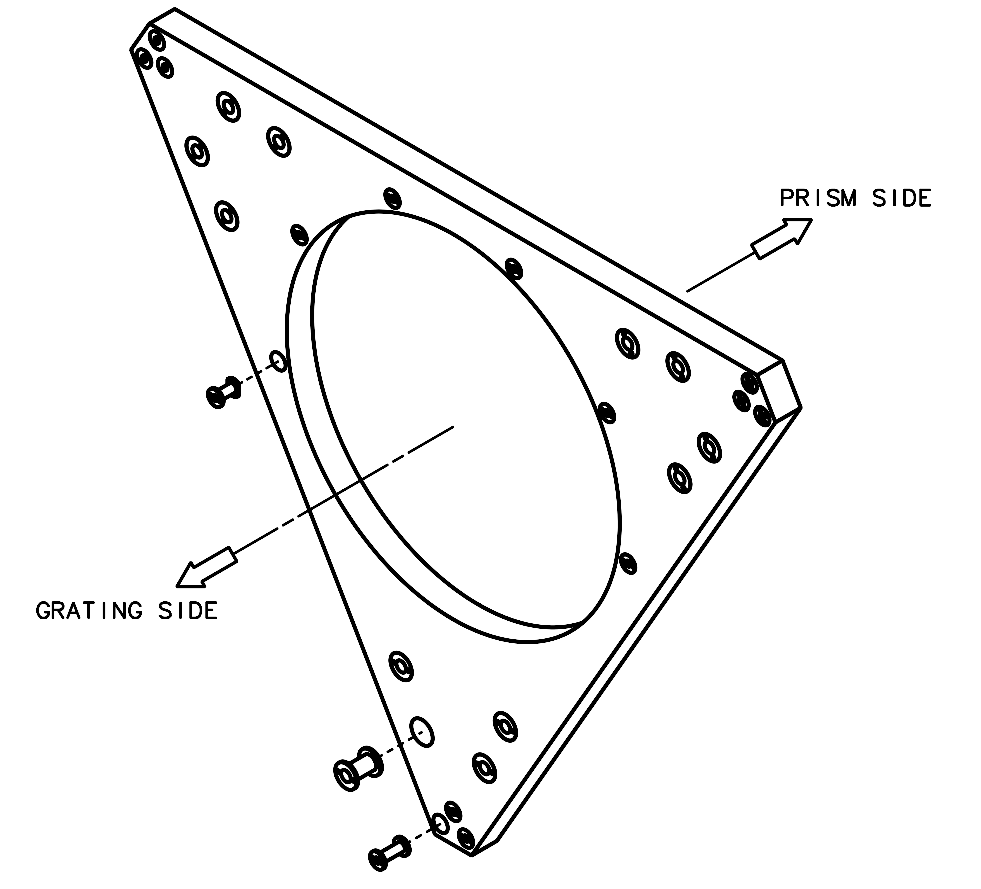
SCALE 1:2



(6X) SECTION B-B
SCALE 2:1



SECTION A-A
SCALE 2:1



SCALE NTS

QTY PER ASSY	AR	TBD	ADHESIVE		6
12	NAS1834A61000		INSERT, MOLDED IN, THRU HOLE, ϕ .376-.383 HOLE x 1.000 LG, ALUM	OR EQUIVALENT	5
9	NAS1834A31000		INSERT, MOLDED IN, THRU HOLE, ϕ .195-.201 HOLE x 1.000 LG, ALUM	OR EQUIVALENT	4
6	NAS1832-3N6		INSERT, MOLDED IN, BLIND THD, NON-LOCK, .190-32 x .750 LG, STL, CAD PLT	OR EQUIVALENT	3
1	13715		BULKHEAD PANEL (W/O INSERTS)		1

- NOTES:
- REQUIRED DOCUMENTS:
 - SP14038 INSERT SPECIFICATION/INSTALLATION FOR MAESTRO COMPOSITE PANEL
 - POT INSERTS IN PLACE USING ITEM 6 ADHESIVE.
 - INSERTS INCLUDE AN ADHESIVE-BACKED NAS1837 INSTALLATION TAB.
 - NOTED INSERTS MATE WITH DOWEL PINS IN APEX FITTING EARS OF DWG NO. 16002 (SHT 2); FIXTURE AS REQUIRED DURING CURING.
 - OTHER INSERTS ARE LOCATED FROM EXISTING PANEL INSTALLATION HOLES.
 - QTY REQD: 1.

DO NOT SCALE DRAWING		THIS DRAWING CREATED IN:		Steward Observatory, University of Arizona	
INTERPRET DIMENSIONS AND TOLERANCES IN ACCORDANCE WITH ASME Y14.5M-94		ACAD	MECH	IDEAS	933 N. Cherry Avenue, Tucson, AZ 85721 (520)621-7659
TOLERANCES UNLESS OTHERWISE SPECIFIED		<input type="checkbox"/>	<input type="checkbox"/>	<input checked="" type="checkbox"/>	DESIGNED BY: D. DEAN/R. NAGY DATE: 9/8/05 CATEGORY: MMT
LINEAR ANGULAR					DRAWN BY: R. NAGY DATE: 9/8/05 PROJECT: MAESTRO
.X - NA					CHECKED BY: J. BECHTOLD DATE: 10/19/05 TITLE: TRUSS SPACE FRAME
.XX - NA					APPROVED: J. BECHTOLD DATE: 12/7/05 PRISM CELL
.XXX - NA					APPROVED: R. WARNER DATE: 12/7/05 BULKHEAD (W/INSERTS)
DIAMETRICAL SEE SPEC S-002					APPROVED: PLOT SIZE SCALE: DRAWING NUMBER: REVISION:
MATERIAL		13234	MMT-MAESTRO		D - 16000 A
FINISH			NEXT ASSY USED ON		
ASSEMBLY APPLICATION		CURRENT TIME/DATE/FILE LOCATION:			SHEET 1 OF 1
		DRAWING ARCHIVE LOCATION: http://dovinc1.es.arizona.edu/ocod/default.html			