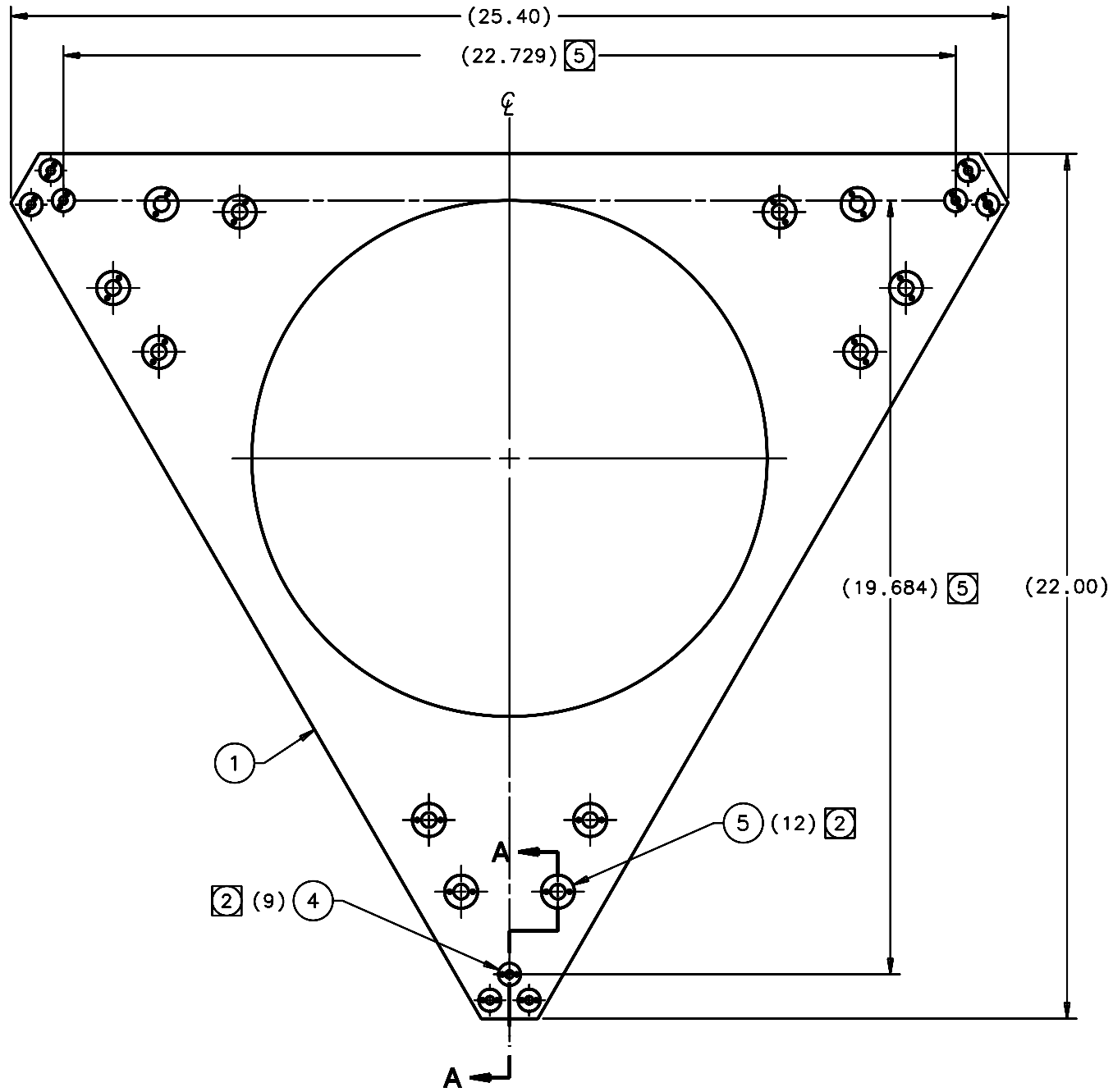
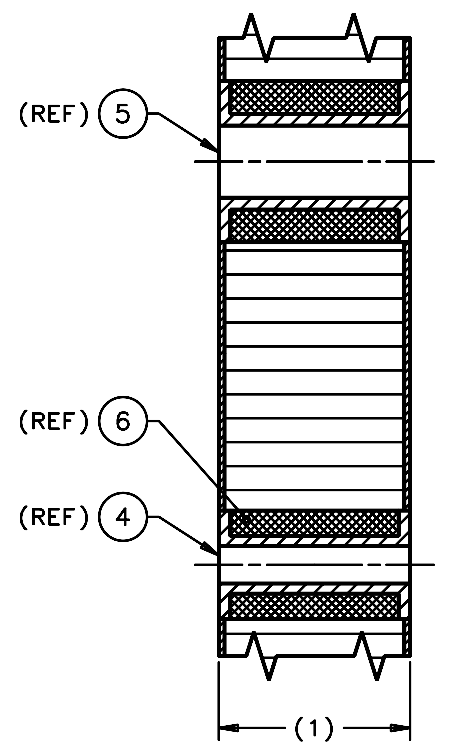


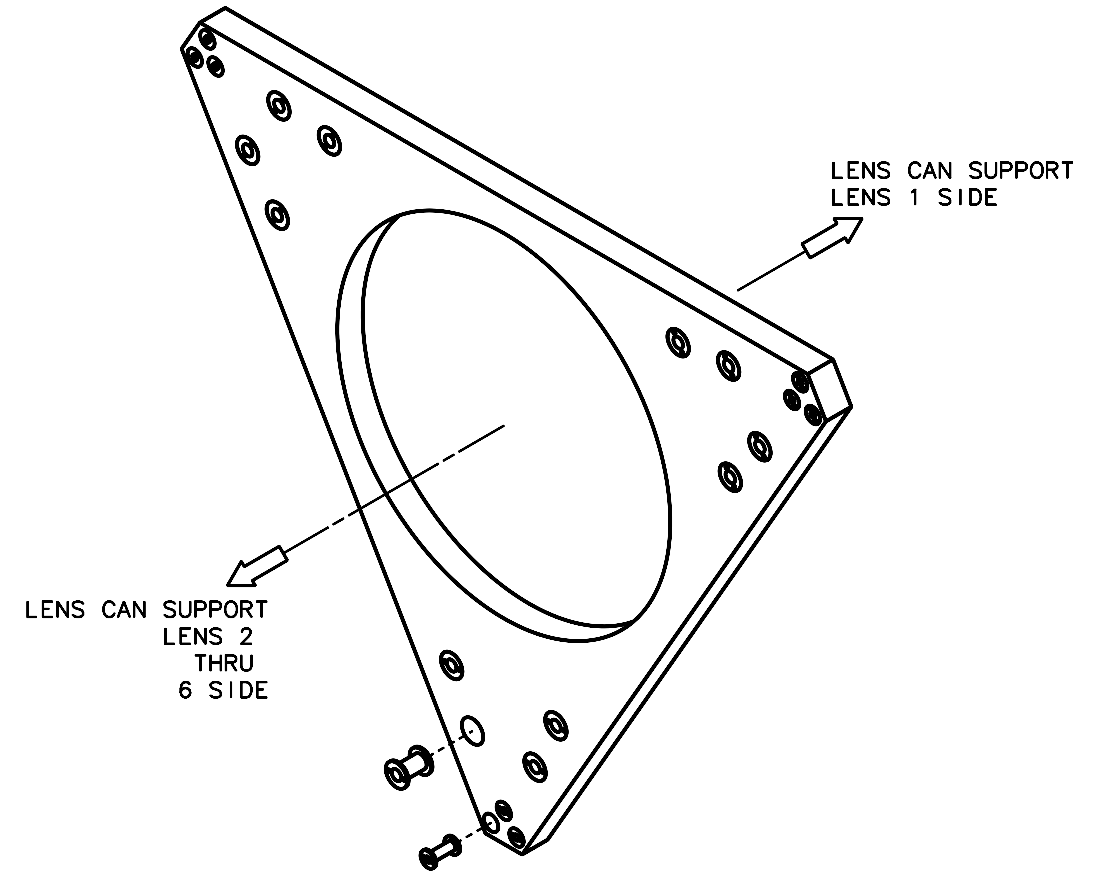
REVISIONS				
LTR	DESCRIPTION	DATE	REVISED BY	APPROVED
A	INITIAL RELEASE	12/7/05	R. NAGY	J. BECHTOLD



SCALE 1:2



SECTION A-A
SCALE 2:1



SCALE NTS

NOTES:

- REQUIRED DOCUMENTS:
 - SP14038 INSERT SPECIFICATION/INSTALLATION FOR MAESTRO COMPOSITE PANEL
- POT INSERTS IN PLACE USING ITEM 6 ADHESIVE.
- INSERTS INCLUDE AN ADHESIVE-BACKED NAS1837 INSTALLATION TAB.
- NOTED INSERTS MATE WITH DOWEL PINS IN APEX FITTING EARS OF DWG NO. 16002 (SHT 2); FIXTURE AS REQUIRED DURING CURING.
- OTHER INSERTS ARE LOCATED FROM EXISTING PANEL INSTALLATION HOLES.
- QTY REQD: 1.

QTY PER ASSY	AR	TBD	ADHESIVE	MANUFACTURER of MAT'L SPEC	ITEM NO.
12	NAS1834A61000	INSERT, MOLDED IN, THRU HOLE, ϕ .376-.383 HOLE x 1.000 LG, ALUM	OR EQUIVALENT		5
9	NAS1834A31000	INSERT, MOLDED IN, THRU HOLE, ϕ .195-.201 HOLE x 1.000 LG, ALUM	OR EQUIVALENT		4
1	13246	BULKHEAD PANEL (W/O INSERTS)			1

DO NOT SCALE DRAWING		THIS DRAWING CREATED IN:		Steward Observatory, University of Arizona 933 N. Cherry Avenue, Tucson, AZ 85721 (520)621-7659	
INTERPRET DIMENSIONS AND TOLERANCES IN ACCORDANCE WITH ASME Y14.5M-94		ACAD <input type="checkbox"/>	MECH <input type="checkbox"/>	IDEAS <input checked="" type="checkbox"/>	DESIGNED BY: D. DEAN/R. NAGY
TOLERANCES UNLESS OTHERWISE SPECIFIED				DATE: 9/8/05	CATEGORY: MMT
LINEAR .X - NA .XX - NA .XXX - NA				DRAWN BY: R. NAGY	PROJECT: MAESTRO
ANGULAR .X - NA .XX - NA .XXX - NA				CHECKED BY: J. BECHTOLD	TITLE: TRUSS SPACE FRAME LENS CAN SUPPORT BULKHEAD (W/INSERTS)
DIAMETRICAL SEE SPEC S-002				APPROVED: J. BECHTOLD	
DIMENSIONS ARE IN INCHES / DIMENSIONS IN 1:1 ARE METRIC				APPROVED: R. WARNER	
MATERIAL	13234	MMT-MAESTRO		APPROVED:	PLOT SIZE SCALE: D -
FINISH		NEXT ASSY USED ON		APPROVED:	DRAWING NUMBER: 14999
ASSEMBLY APPLICATION		CURRENT TIME/DATE/FILE LOCATION:		REVISION: A	
		DRAWING ARCHIVE LOCATION: http://dovinc1.es.arizona.edu/ocod/default.html		SHEET 1 OF 1	