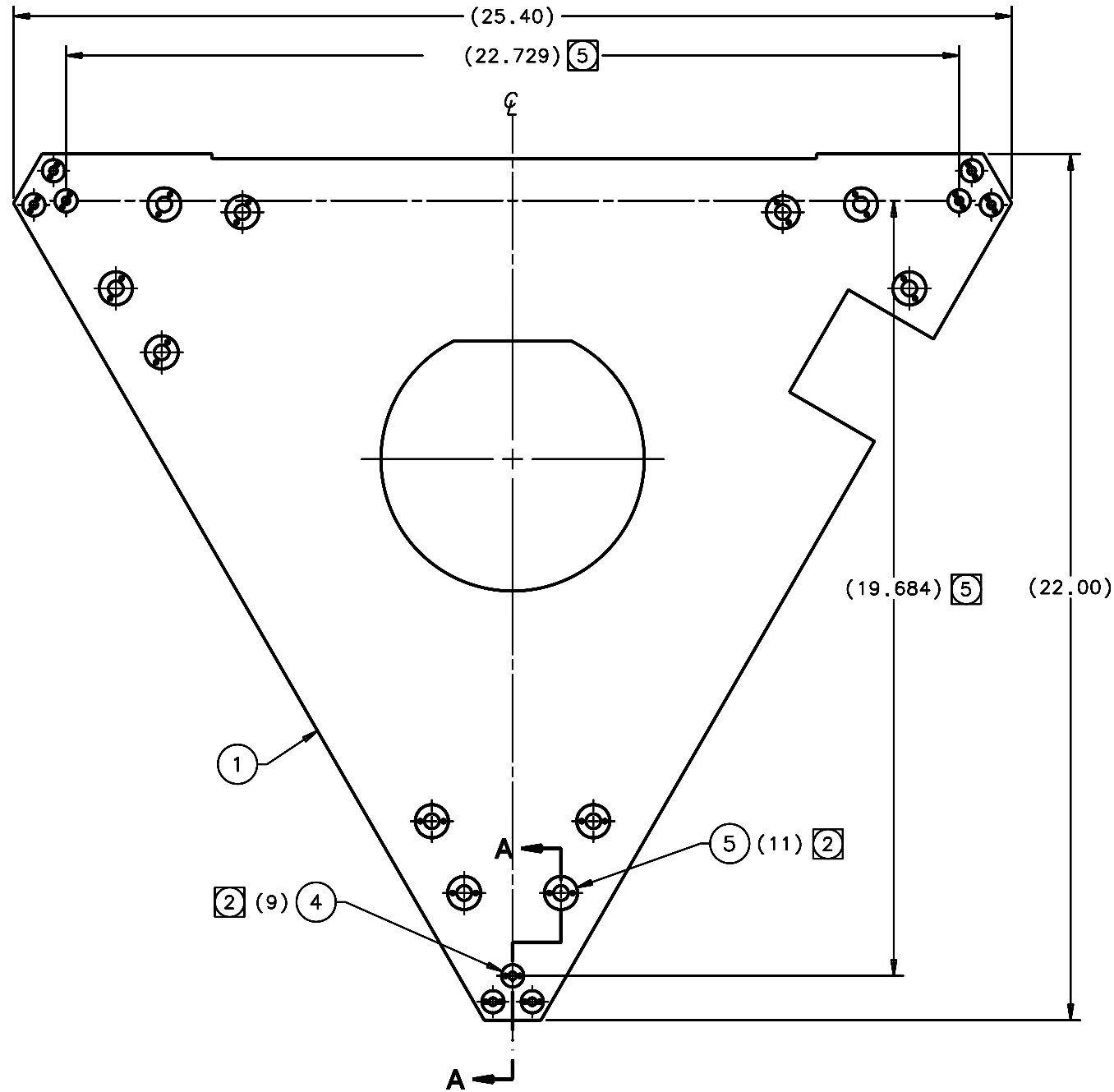
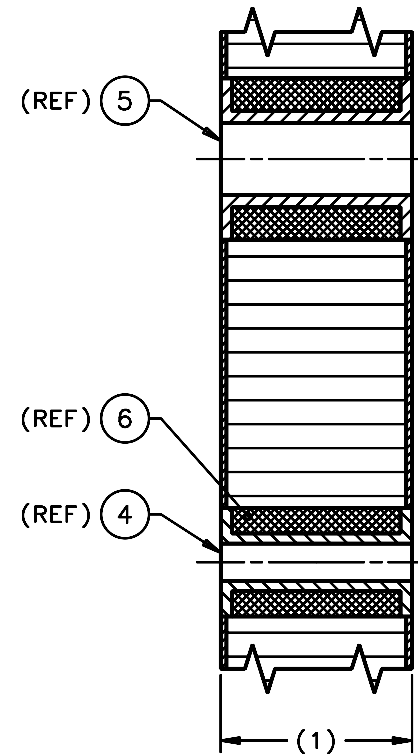


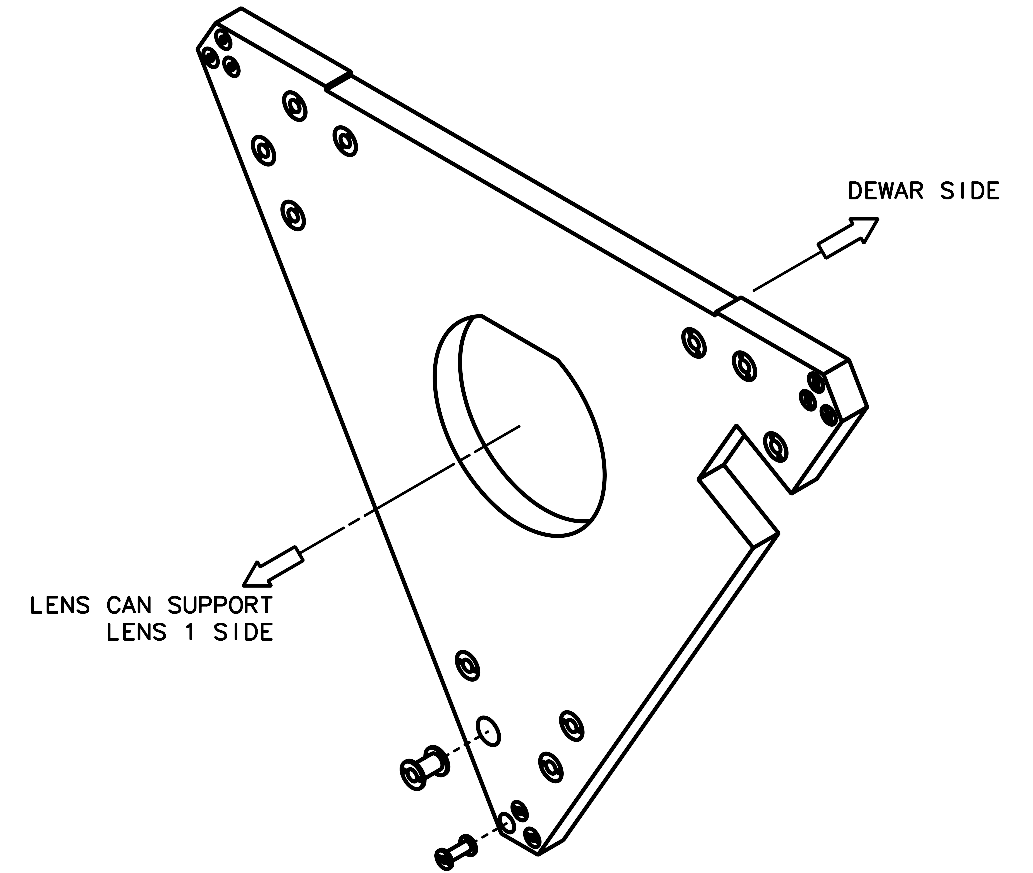
REVISIONS				
LTR	DESCRIPTION	DATE	REVISED BY	APPROVED
A	INITIAL RELEASE	12/7/05	R. NAGY	J. BECHTOLD



SCALE 1:2



SECTION A-A
SCALE 2:1



SCALE NTS

NOTES:

1. REQUIRED DOCUMENTS:

A. SP14038 INSERT SPECIFICATION/INSTALLATION FOR MAESTRO COMPOSITE PANEL

2 POT INSERTS IN PLACE USING ITEM 6 ADHESIVE.

4 INSERTS INCLUDE AN ADHESIVE-BACKED NAS1837 INSTALLATION TAB.

5 NOTED INSERTS MATE WITH DOWEL PINS IN APEX FITTING EARS OF DWG NO. 16003 (SHT 2);
FIXTURE AS REQUIRED DURING CURING.

OTHER INSERTS ARE LOCATED FROM EXISTING PANEL INSTALLATION HOLES.

6. QTY REQD: 1.

QTY PER ASSY	AR	TBD	ADHESIVE	MANUFACTURER of MAT'L SPEC	ITEM NO.
4	11	NAS1834A61000	INSERT, MOLDED IN, THRU HOLE, ϕ .376-.383 HOLE x 1.000 LG, ALUM	OR EQUIVALENT	5
4	9	NAS1834A31000	INSERT, MOLDED IN, THRU HOLE, ϕ .195-.201 HOLE x 1.000 LG, ALUM	OR EQUIVALENT	4
					3
					2
1		13245	BULKHEAD PANEL (W/O INSERTS)		1

DO NOT SCALE DRAWING		THIS DRAWING CREATED IN:		Steward Observatory, University of Arizona	
INTERPRET DIMENSIONS AND TOLERANCES IN ACCORDANCE WITH ASME Y14.5M-94		ACAD	MECH	IDEAS	933 N. Cherry Avenue, Tucson, AZ 85721 (520)621-7659
TOLERANCES UNLESS OTHERWISE SPECIFIED		<input type="checkbox"/>	<input type="checkbox"/>	<input checked="" type="checkbox"/>	DESIGNED BY: D. DEAN/R. NAGY DATE: 9/8/05
LINEAR	ANGULAR				DRAWN BY: R. NAGY DATE: 9/8/05
.X - NA	NA				CHECKED BY: J. BECHTOLD DATE: 10/19/05
.XX - NA					APPROVED BY: J. BECHTOLD DATE: 12/7/05
.XXX - NA					APPROVED BY: R. WARNER DATE: 12/7/05
DIAMETRICAL SEE SPEC S-002		MATERIAL		PROJECT: MAESTRO	
DIMENSIONS ARE IN INCHES / DIMENSIONS IN 1:1 ARE METRIC		13234	MMT-MAESTRO	TITLE: TRUSS SPACE FRAME INJECTION OPTICS BULKHEAD (W/INSERTS)	
		NEXT ASSY	USED ON	PLOT SIZE SCALE: D -	DRAWING NUMBER: 14998
FINISH		ASSEMBLY APPLICATION		CURRENT TIME/DATE/FILE LOCATION:	REVISION: A
				DRAWING ARCHIVE LOCATION: http://dovinc1.es.arizona.edu/ocod/default.html	SHEET 1 OF 1