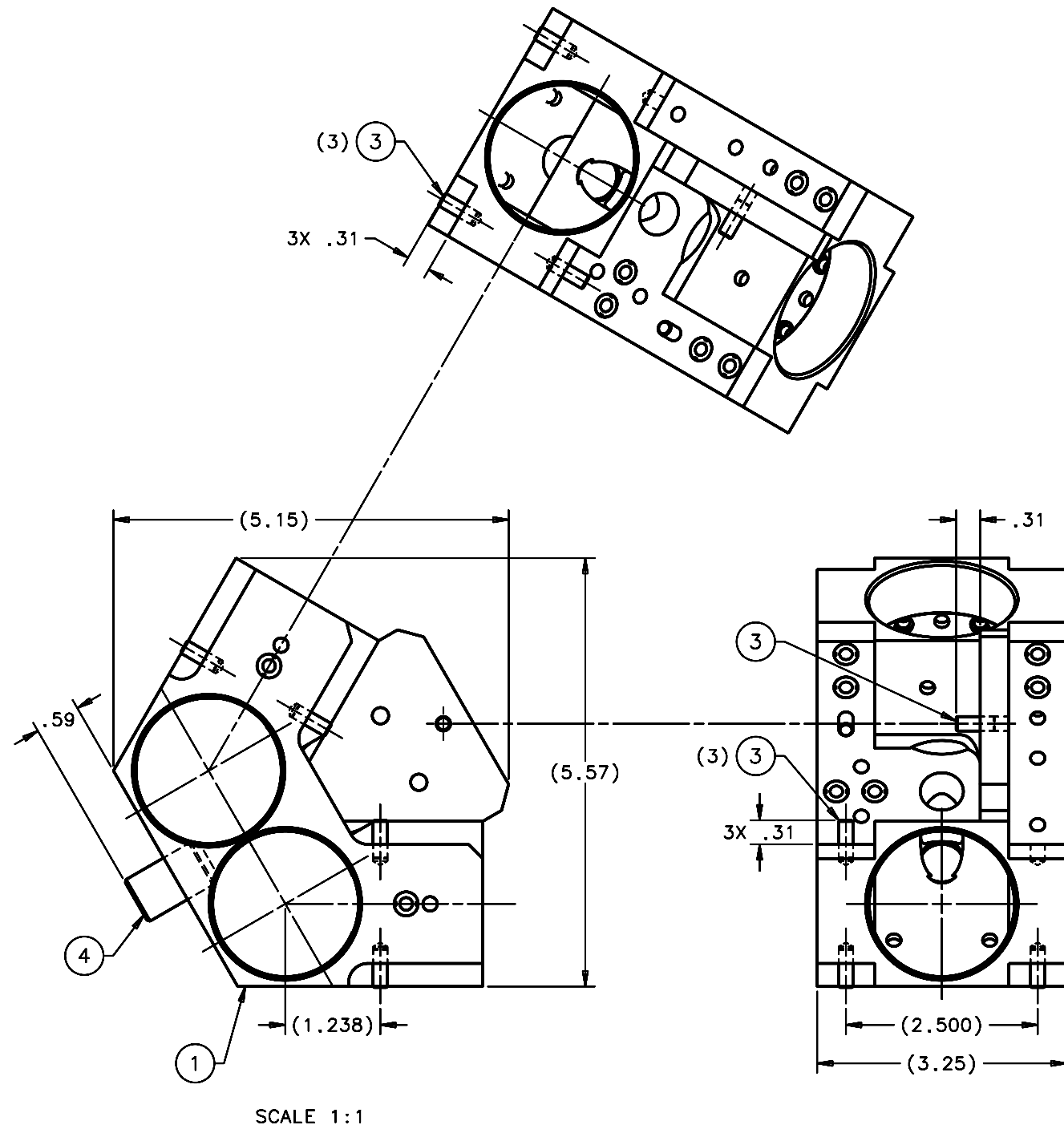
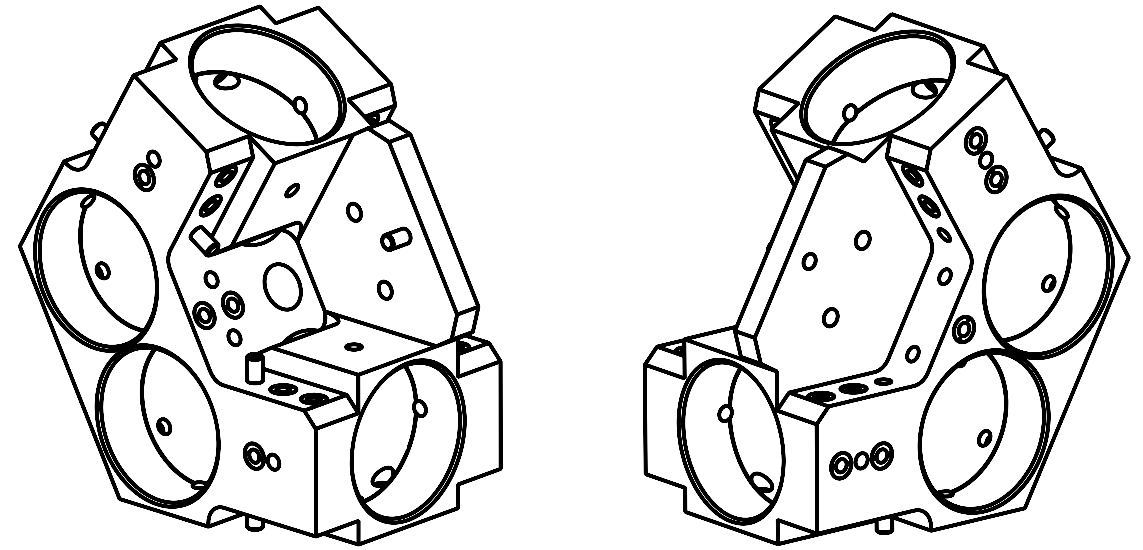


REVISIONS				
LTR	DESCRIPTION	DATE	REVISED BY	APPROVED
A	INITIAL RELEASE	10/19/05	R. NAGY	J. BECHTOLD



SCALE 1:1



SCALE NTS

NOTES:
1. QTY REQD: 2.

QTY PER ASSY	-3	-2	-1	PART NUMBER	PART DESCRIPTION	MANUFACTURER or MAT'L SPEC	ITEM NO.
				1	90145A739	DOWEL PIN, STANDARD, $\phi 5/8$ (.6251-.6253) x 1 LG, 18-8 SS	McMASTER-CARR 4
				9	90145A505	DOWEL PIN, STANDARD, $\phi 3/16$ (.1876-.1878) x 1/2 LG, 18-8 SS	McMASTER-CARR 3
							2
				1	13886	BASIC APEX FITTING W/EAR	1

LIST OF MATERIALS

DO NOT SCALE DRAWING INTERPRET DIMENSIONS AND TOLERANCES IN ACCORDANCE WITH ASME Y14.5M-94		THIS DRAWING CREATED IN: ACAD <input type="checkbox"/> MECH <input type="checkbox"/> IDEAS <input checked="" type="checkbox"/>		Steward Observatory, University of Arizona 933 N. Cherry Avenue, Tucson, AZ 85721 (520)621-7659	
TOLERANCES UNLESS OTHERWISE SPECIFIED LINEAR .XX = NA ANGLAR NA .XX = 2.03 .XXX = NA DIAMETRICAL SEE SPEC S-002		DESIGNED BY: D. DEAN	DATE: 8/27/05	CATEGORY: MMT	
MATERIAL -		DRAWN BY: R. NAGY	9/1/05	PROJECT: MAESTRO	
FINISH -		CHECKED BY: J. BECHTOLD	10/19/05	TITLE: TRUSS SPACE FRAME DEWAR INNER ATTACHMENT APEX FITTING	
ASSEMBLY APPLICATION		APPROVED: R. WARNER	10/19/05	PLOT SIZE SCALE: D -	DRAWING NUMBER: 14996
CURRENT TIME/DATE/FILE LOCATION:		DRAWING ARCHIVE LOCATION: http://dovinci.as.arizona.edu/ccad/default.html		REVISION: A	