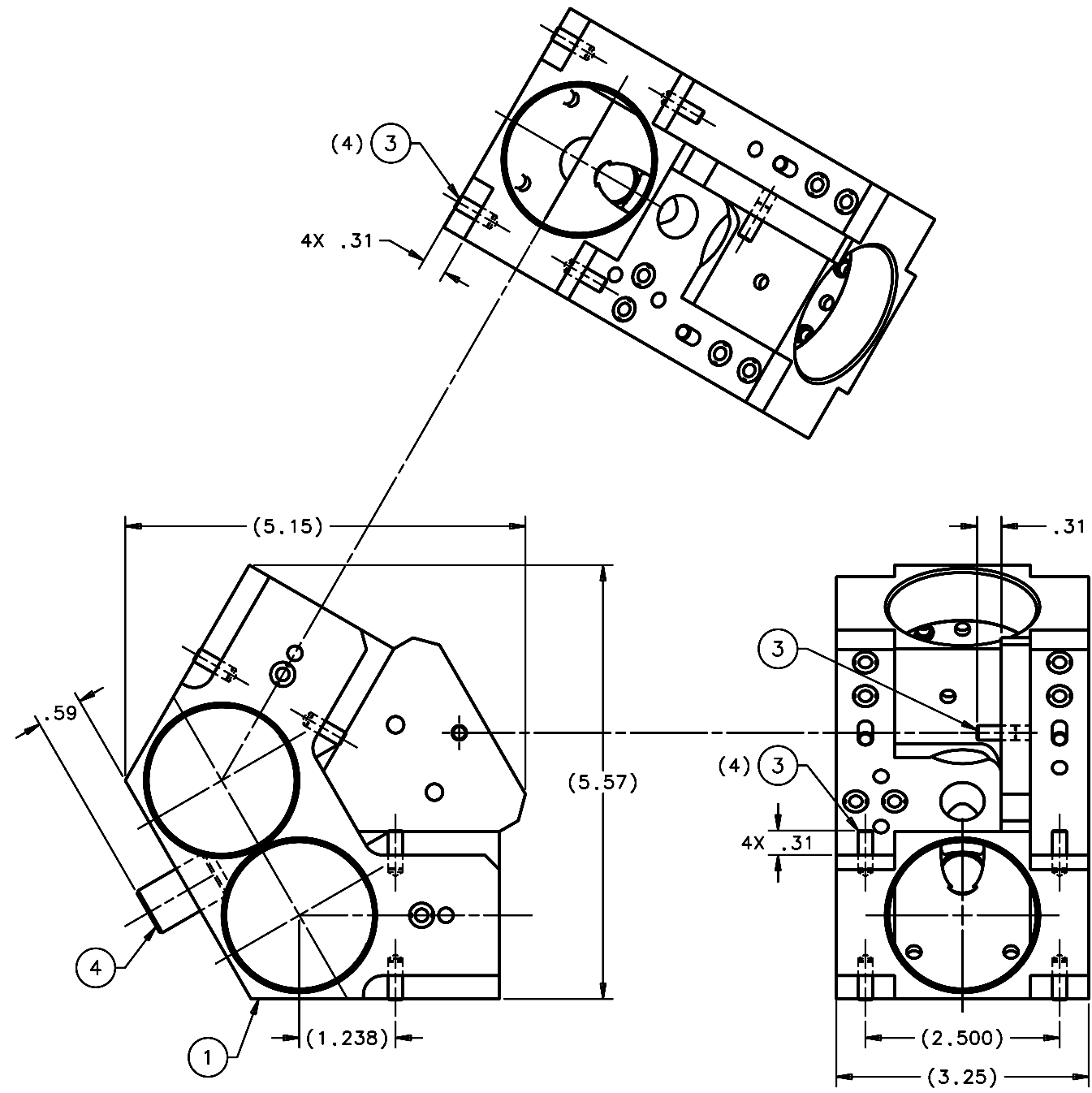
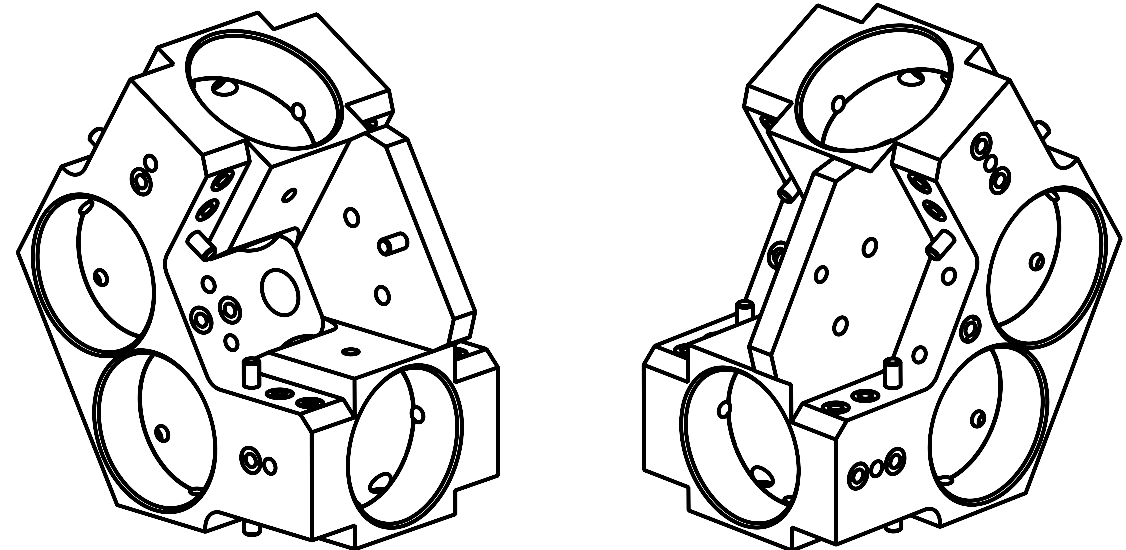


REVISIONS				
LTR	DESCRIPTION	DATE	REVISED BY	APPROVED
A	INITIAL RELEASE	10/19/05	R. NAGY	J. BECHTOLD



SCALE 1:1



SCALE NTS

NOTES:
1. QTY REQ: 10.

QTY PER ASSY		PART NUMBER	PART DESCRIPTION	MANUFACTURER or MAT'L SPEC	ITEM NO.
1	90145A739	DOWEL PIN, STANDARD, $\phi 5/8$ (.6251-.6253) x 1 LG, 18-8 SS	McMASTER-CARR	4	
9	90145A505	DOWEL PIN, STANDARD, $\phi 3/16$ (.1876-.1878) x 1/2 LG, 18-8 SS	McMASTER-CARR	3	
				2	
1	13886	BASIC APEX FITTING W/EAR		1	

LIST OF MATERIALS

DO NOT SCALE DRAWING INTERPRET DIMENSIONS AND TOLERANCES IN ACCORDANCE WITH ASME Y14.5M-94		THIS DRAWING CREATED IN: ACAD <input type="checkbox"/> MECH <input type="checkbox"/> IDEAS <input checked="" type="checkbox"/>		Steward Observatory, University of Arizona 933 N. Cherry Avenue, Tucson, AZ 85721 (520)621-7659	
TOLERANCES UNLESS OTHERWISE SPECIFIED LINEAR .XX = NA .XX = 2.03 .XXX = NA ANGULAR NA DIAMETRICAL SEE SPEC S-002		DESIGNED BY: D. DEAN/R. NAGY	DATE: 8/27/05	CATEGORY: MMT	
MATERIAL - NEXT ASSY USED ON		DRAWN BY: R. NAGY	DATE: 9/1/05	PROJECT: MAESTRO	
FINISH -		CHECKED BY: J. BECHTOLD	DATE: 10/19/05	TITLE: TRUSS SPACE FRAME DIAGONAL BRACE ATTACHMENT APEX FITTING	
		APPROVED BY: J. BECHTOLD	DATE: 10/19/05	DRAWING NUMBER: 14995	
		APPROVED BY: R. WARNER	DATE: 10/19/05	REVISION: A	
		APPROVED:		PLOT SIZE SCALE: D -	
		APPROVED:		DRAWING NUMBER: 14995	
		APPROVED:		REVISION: A	
		CURRENT TIME/DATE/FILE LOCATION:		SHEET 1 OF 1	
		DRAWING ARCHIVE LOCATION: http://dovinci.as.arizona.edu/ccad/default.html			