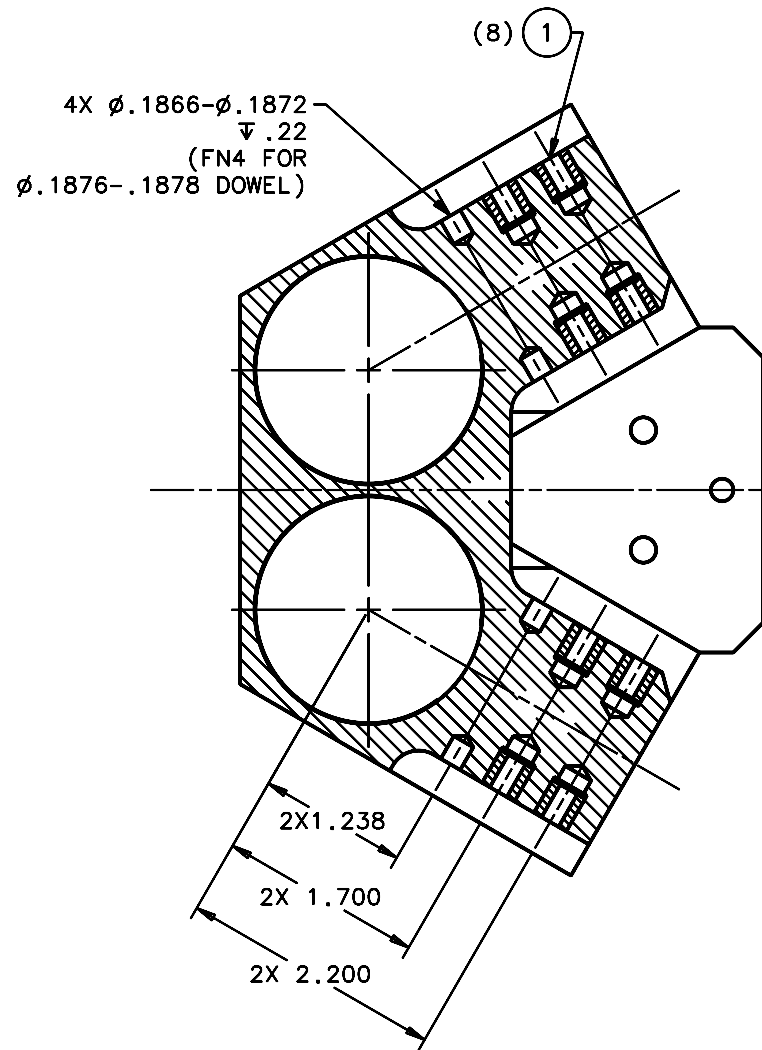
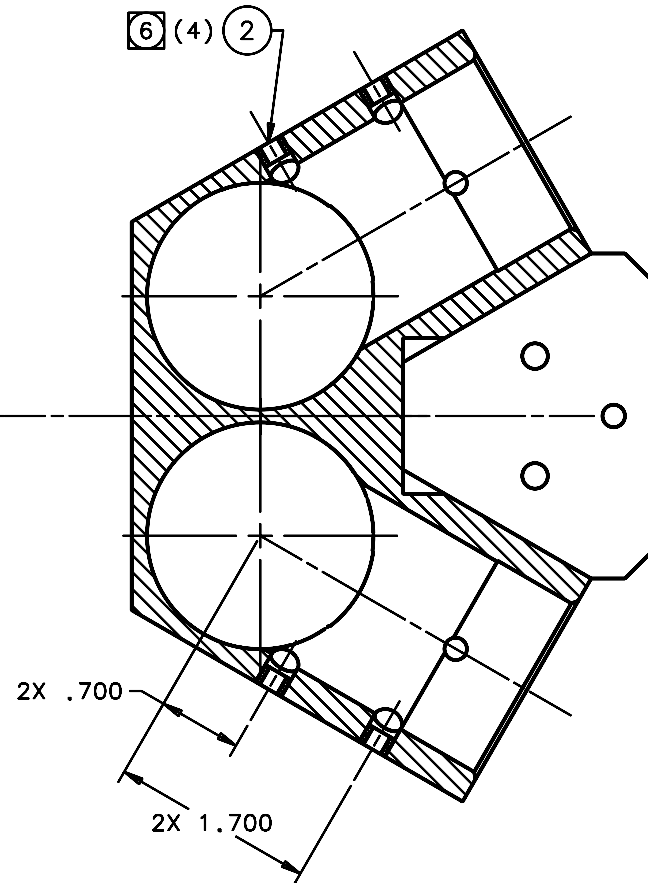


REVISIONS				
LTR	DESCRIPTION	DATE	REVISED BY	APPROVED
A	INITIAL RELEASE	10/19/05	R. NAGY	J. BECHTOLD
B	ADDED ITEM 3; ITEM 1 WAS QTY 27	11/15/05	R. NAGY	J. BECHTOLD



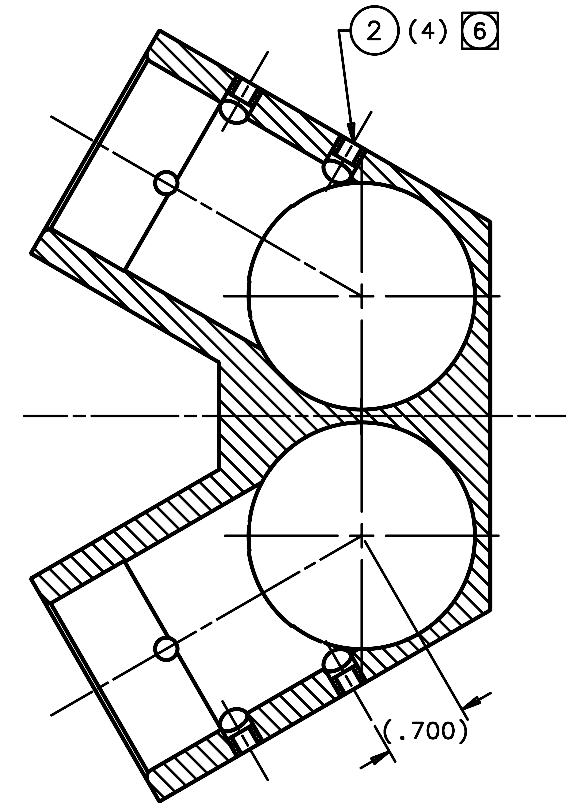
SECTION H-H

(SHT 3)
SCALE 1 1/4:1



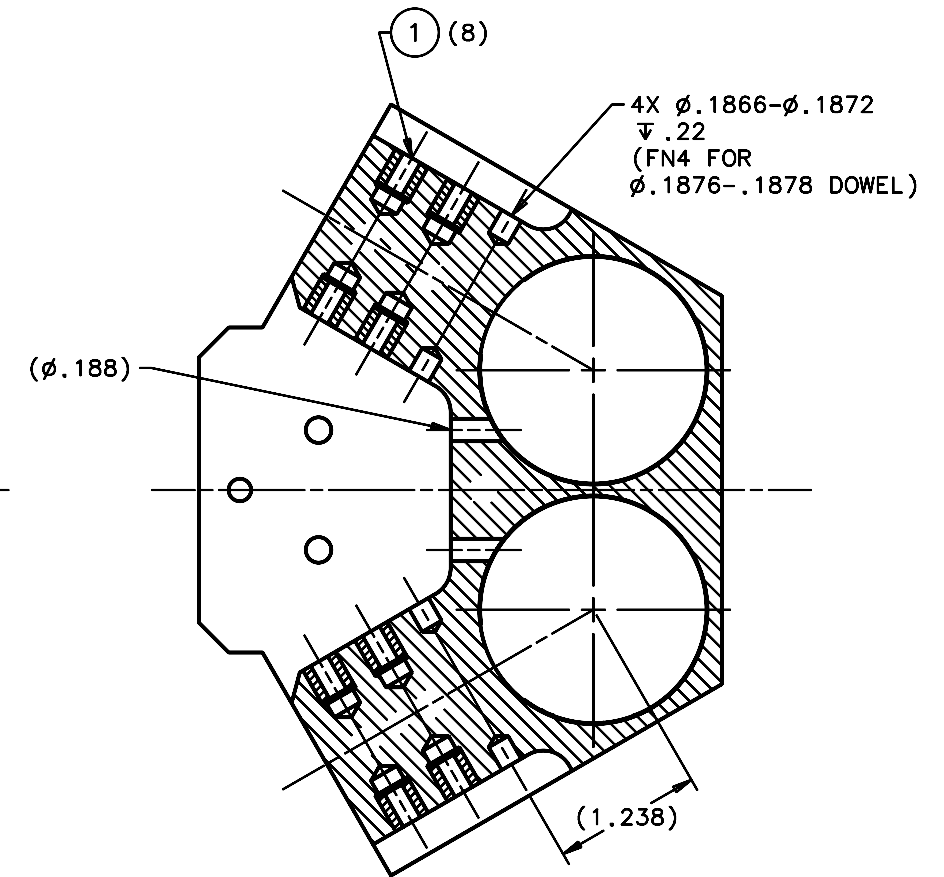
SECTION J-J

(SHT 3)
SCALE 1 1/4:1



SECTION K-K

(SHT 3)
SCALE 1 1/4:1
FEATURES & LOCATIONS
SAME AS SECTION J-J (THIS SHT)



SECTION L-L

(SHT 3)
SCALE 1 1/4:1
FEATURES & LOCATIONS
SAME AS SECTION H-H (THIS SHT)

DO NOT SCALE DRAWING INTERPRET DIMENSIONS AND TOLERANCES IN ACCORDANCE WITH ASME Y14.5M-94	THIS DRAWING CREATED IN:			Steward Observatory, University of Arizona 933 N. Cherry Avenue, Tucson, AZ 85721 (520)621-7659			
	ACAD <input type="checkbox"/>	MECH <input type="checkbox"/>	IDEAS <input checked="" type="checkbox"/>	DESIGNED BY: D. DEAN	DATE: 9/1/04	CATEGORY: MMT	
TOLERANCES UNLESS OTHERWISE SPECIFIED LINEAR ANGLULAR .X = .005 .XX = .010 .XXX = .015 DIAMETRICAL SEE SPEC S-002				DRAWN BY: R. NAGY	DATE: 8/19/05	PROJECT: MAESTRO	
				CHECKED BY: J. BECHTOLD	DATE: 10/19/05	TITLE: TRUSS SPACE FRAME BASIC APEX FITTING W/EAR	
MATERIAL 6061-T6 Al	14996 MMT-MAESTRO			APPROVED: R. WARNER	DATE: 10/19/05	PLOT SIZE SCALE: D -	
	14995 MMT-MAESTRO			APPROVED:		DRAWING NUMBER: 13886	
FINISH <input checked="" type="checkbox"/>	NEXT ASSY USED ON			CURRENT TIME/DATE/FILE LOCATION:			
				DRAWING ARCHIVE LOCATION: http://dovinci.as.arizona.edu/ccad/default.html			