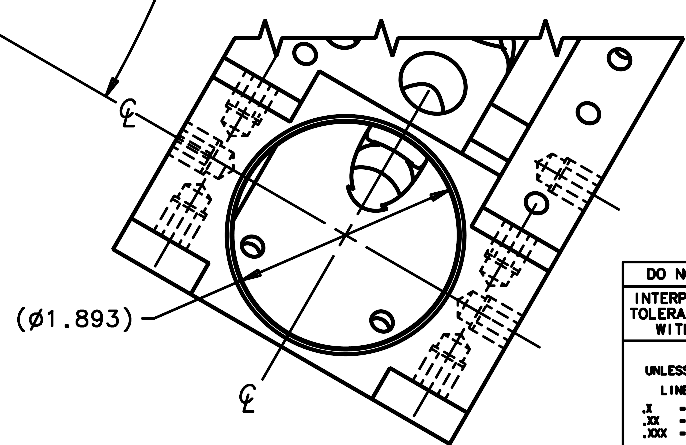
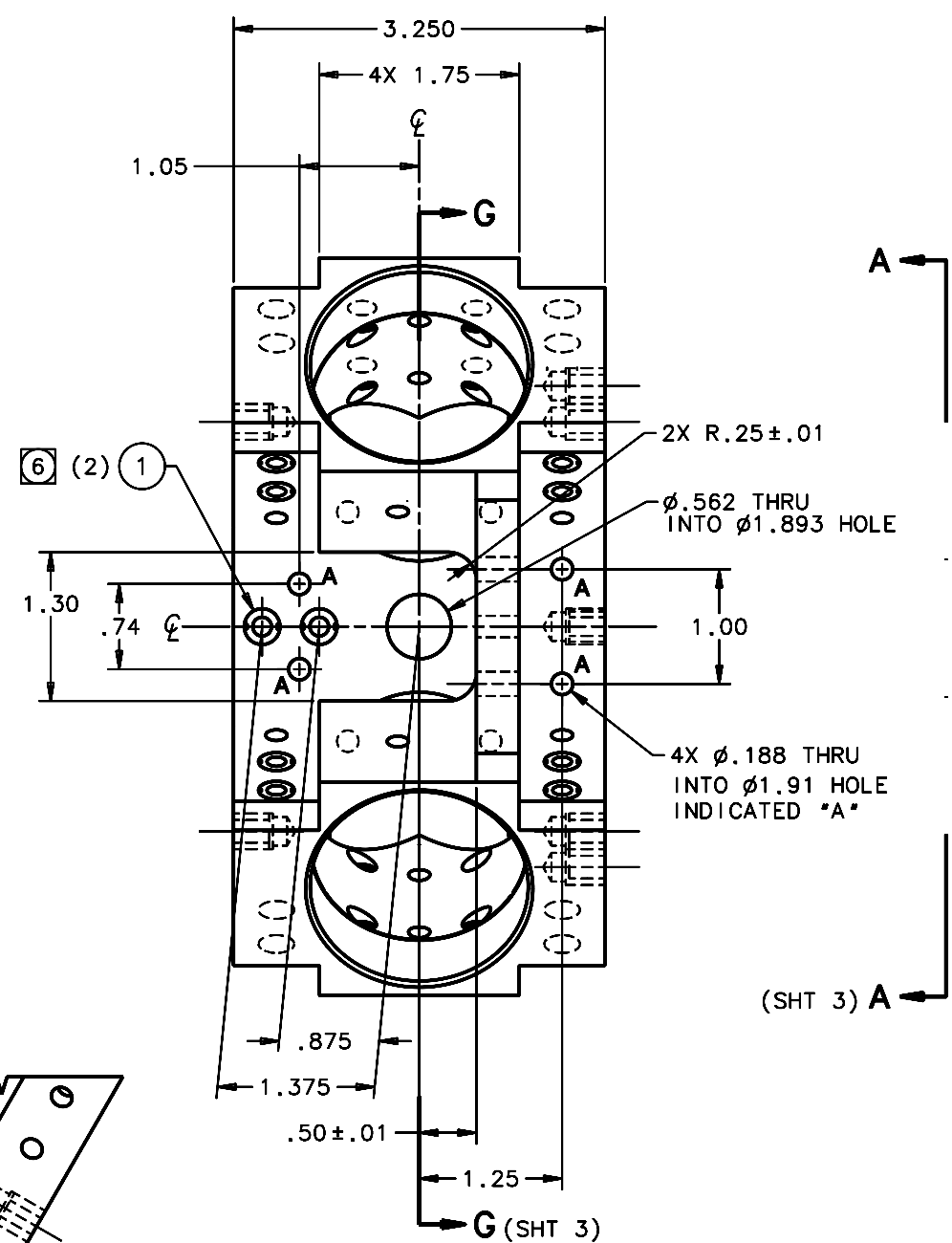
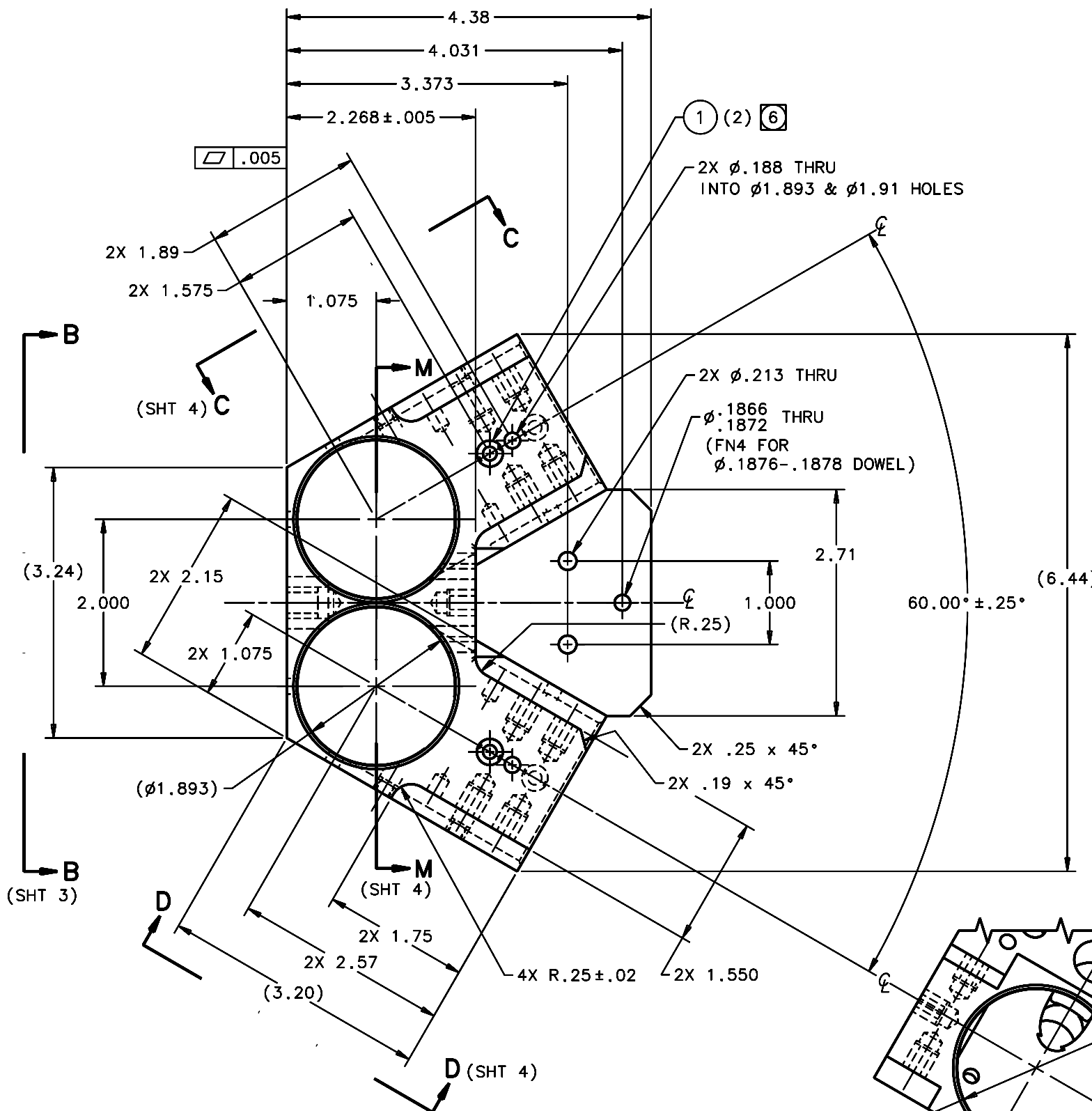


REVISIONS				
LTR	DESCRIPTION	DATE	REVISED BY	APPROVED
A	INITIAL RELEASE	10/19/05	R. NAGY	J. BECHTOLD
B	ADDED ITEM 3; ITEM 1 WAS QTY 27	11/15/05	R. NAGY	J. BECHTOLD



SCALE 1 1/4:1

DO NOT SCALE DRAWING INTERPRET DIMENSIONS AND TOLERANCES IN ACCORDANCE WITH ASME Y14.5M-94		THIS DRAWING CREATED IN: ACAD <input type="checkbox"/> MECH <input type="checkbox"/> IDEAS <input checked="" type="checkbox"/>		Steward Observatory, University of Arizona 933 N. Cherry Avenue, Tucson, AZ 85721 (520)621-7659	
TOLERANCES UNLESS OTHERWISE SPECIFIED LINEAR .1 = .005 .05 = .0025 .02 = .001 ANGULAR .1° = .005° DIAMETRICAL SEE SPEC S-002		DESIGNED BY: D. DEAN	DATE: 9/1/04	CATEGORY: MMT	
DRAWING ARE IN INCHES / DIMENSIONS IN 1/16 INCHES		DRAWN BY: R. NAGY	DATE: 8/19/05	PROJECT: MAESTRO	
MATERIAL 6061-T6 Al		CHECKED BY: J. BECHTOLD	DATE: 10/19/05	TITLE: TRUSS SPACE FRAME BASIC APEX FITTING W/EAR	
FINISH 4		APPROVED: J. BECHTOLD	DATE: 10/19/05	PLOT SIZE SCALE: D -	
NEXT ASSY USED ON		APPROVED: R. WARNER	DATE: 10/19/05	DRAWING NUMBER: 13886	
ASSEMBLY APPLICATION		CURRENT TIME/DATE/FILE LOCATION:		REVISION: B	
		DRAWING ARCHIVE LOCATION: http://dovinci.as.arizona.edu/ccad/default.html		SHEET 2 OF 5	