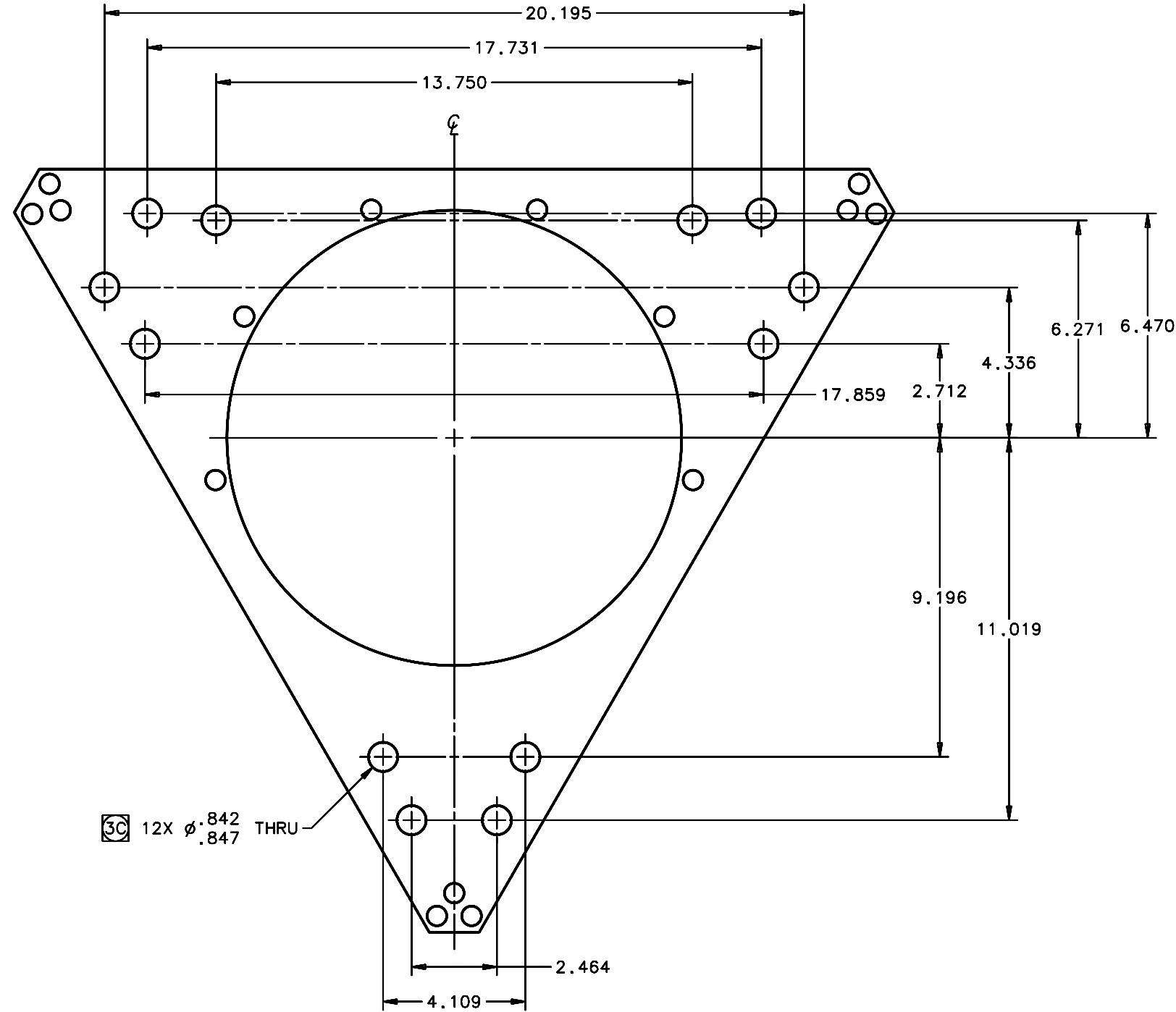


REVISIONS				
LTR	DESCRIPTION	DATE	REVISED BY	APPROVED
A	INITIAL RELEASE	12/7/05	R. NAGY	J. BECHTOLD



3C 12X Ø.842 THRU

DETAIL A

(SHT 1)
SCALE 1:2

DO NOT SCALE DRAWING INTERPRET DIMENSIONS AND TOLERANCES IN ACCORDANCE WITH ASME Y14.5M-94		THIS DRAWING CREATED IN: ACAD <input type="checkbox"/> MECH <input type="checkbox"/> IDEAS <input checked="" type="checkbox"/>		Steward Observatory, University of Arizona 933 N. Cherry Avenue, Tucson, AZ 85721 (520)621-7659	
TOLERANCES UNLESS OTHERWISE SPECIFIED LINEAR .X = NA .XX = ±.03 .XXX = ±.010 ANGULAR ± 1° DIAMETRICAL SEE SPEC S-002		DESIGNED BY: D. DEAN	DATE: 3/17/04	CATEGORY: MMT	
MATERIAL 1		DRAWN BY: R. NAGY	3/17/04	PROJECT: MAESTRO	
FINISH NONE		CHECKED BY: J. BECHTOLD	10/19/05	TITLE: TRUSS SPACE FRAME PRISM CELL BULKHEAD PANEL (W/O INSERTS)	
ASSEMBLY APPLICATION		APPROVED: R. WARNER	12/7/05	PLOT SIZE SCALE: D -	DRAWING NUMBER: 13715
CURRENT TIME/DATE/FILE LOCATION: DRAWING ARCHIVE LOCATION: http://dovinc1.es.arizona.edu/ocod/default.html				REVISION: A	SHEET 2 OF 2