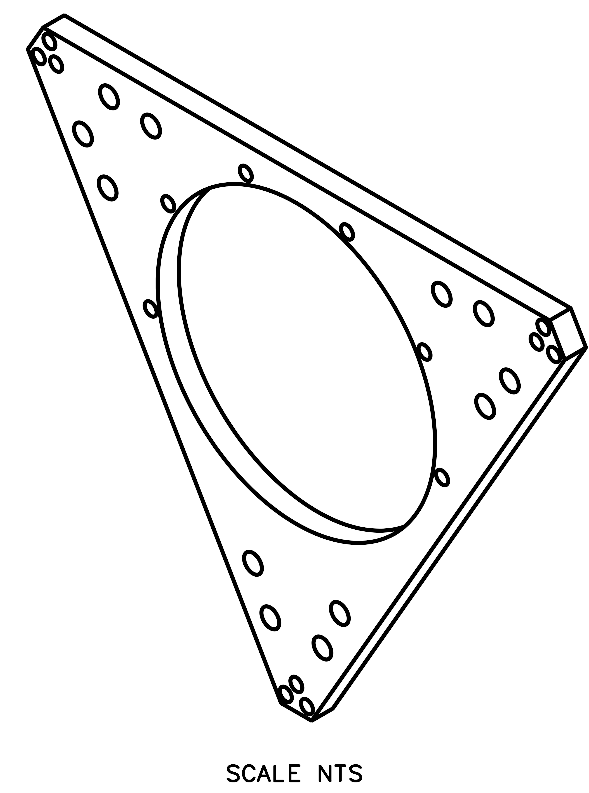
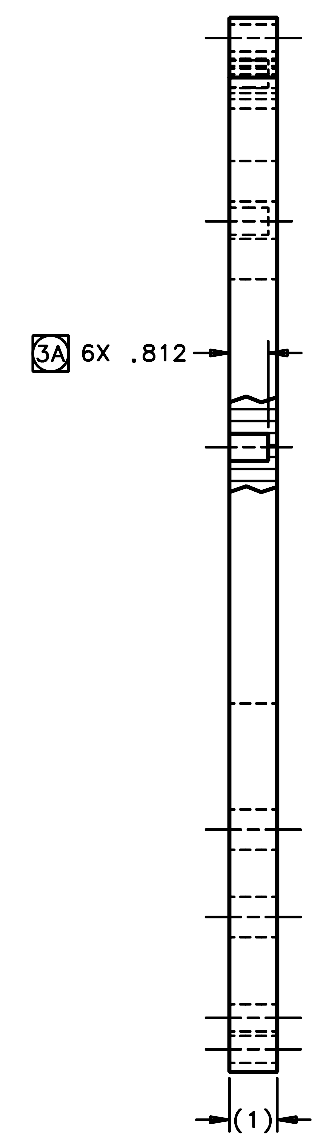
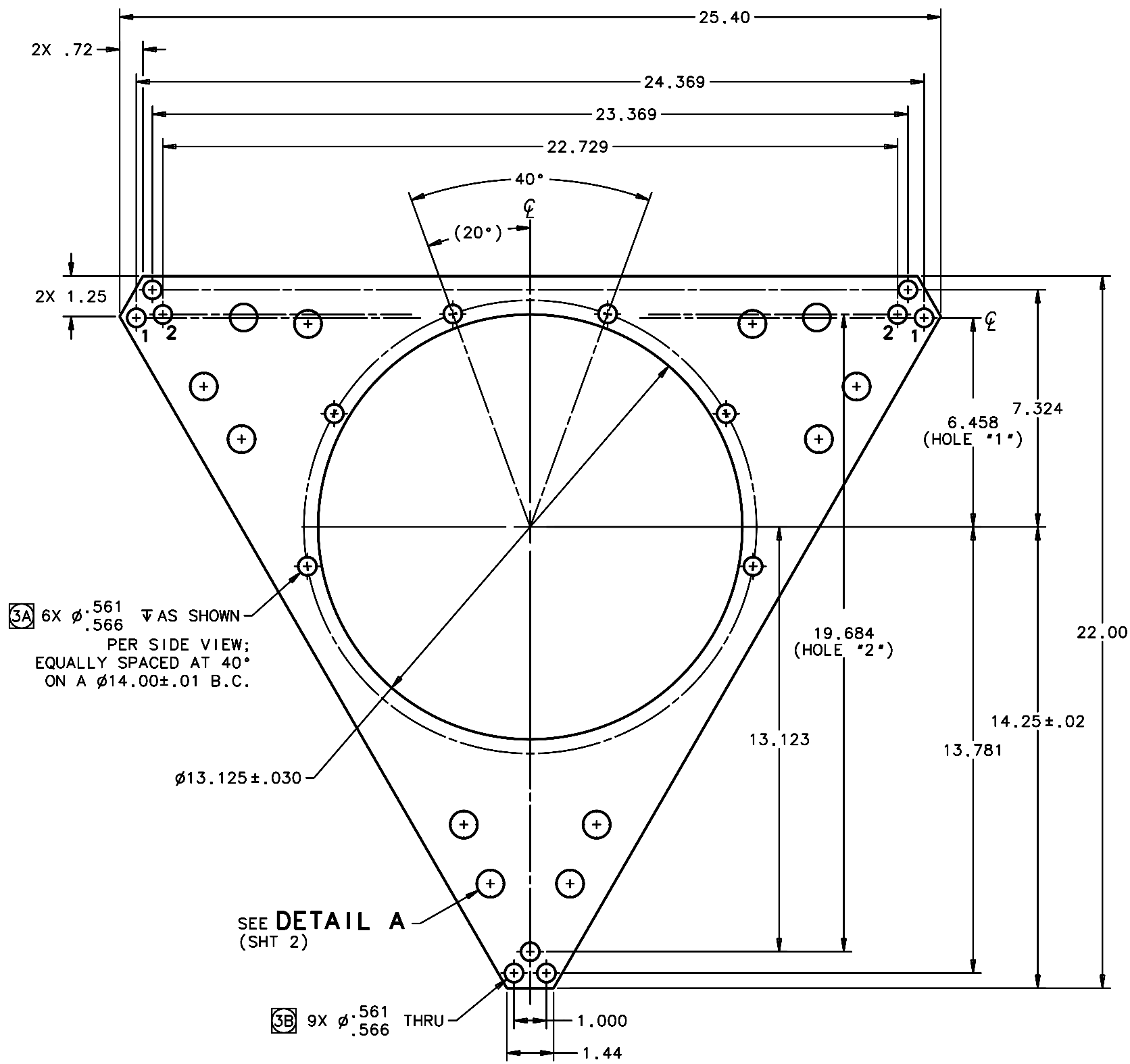


REVISIONS				
LTR	DESCRIPTION	DATE	REVISED BY	APPROVED
A	INITIAL RELEASE	12/7/05	R. NAGY	J. BECHTOLD



3A 6X  $\phi$ .561  $\nabla$  AS SHOWN  
 PER SIDE VIEW;  
 EQUALLY SPACED AT 40°  
 ON A  $\phi$ 14.00±.01 B.C.

SEE DETAIL A  
 (SHT 2)

3B 9X  $\phi$ .561 THRU  
 1.000  
 1.44

SCALE 1:2

- NOTES:
- MATERIAL: MAKE FROM BLANK AS CUT FROM 13594 COMPOSITE PANEL PART LAYUOT.
  - BREAK SHARP EDGES & DEBURR.
  - NOTED HOLES ARE FOR: A. NAS1832-3N6  
 B. NAS1834A3-1000  
 C. NAS1834A6-1000  
 INSERTS AS SPECIFIED PER NEXT ASSEMBLY.  
 ALSO SEE DOCUMENT NO. SP14038 FOR ANY ADDITIONAL HOLE PREPARATION DATA.
  - QTY REQD: 1.

DO NOT SCALE DRAWING INTERPRET DIMENSIONS AND TOLERANCES IN ACCORDANCE WITH ASME Y14.5M-94		THIS DRAWING CREATED IN: ACAD <input type="checkbox"/> MECH <input type="checkbox"/> IDEAS <input checked="" type="checkbox"/>		Steward Observatory, University of Arizona 933 N. Cherry Avenue, Tucson, AZ 85721 (520)621-7659	
TOLERANCES UNLESS OTHERWISE SPECIFIED LINEAR .X = NA .XX = ±.03 .XXX = ±.010 ANGULAR ± 1° DIAMETRICAL SEE SPEC S-002		DESIGNED BY: D. DEAN	DATE: 3/17/04	CATEGORY: MMT	
MATERIAL 1		DRAWN BY: R. NAGY	DATE: 3/17/04	PROJECT: MAESTRO	
FINISH NONE		CHECKED BY: J. BECHTOLD	DATE: 10/19/05	TITLE: TRUSS SPACE FRAME PRISM CELL BULKHEAD PANEL (W/O INSERTS)	
ASSEMBLY APPLICATION		APPROVED: R. WARNER	DATE: 12/7/05	PLOT SIZE SCALE: D -	
		APPROVED:		DRAWING NUMBER: 13715	REVISION: A
		CURRENT TIME/DATE/FILE LOCATION:			SHEET 1 OF 2
		DRAWING ARCHIVE LOCATION: http://dov.incl.us.arizona.edu/ocod/default.html			