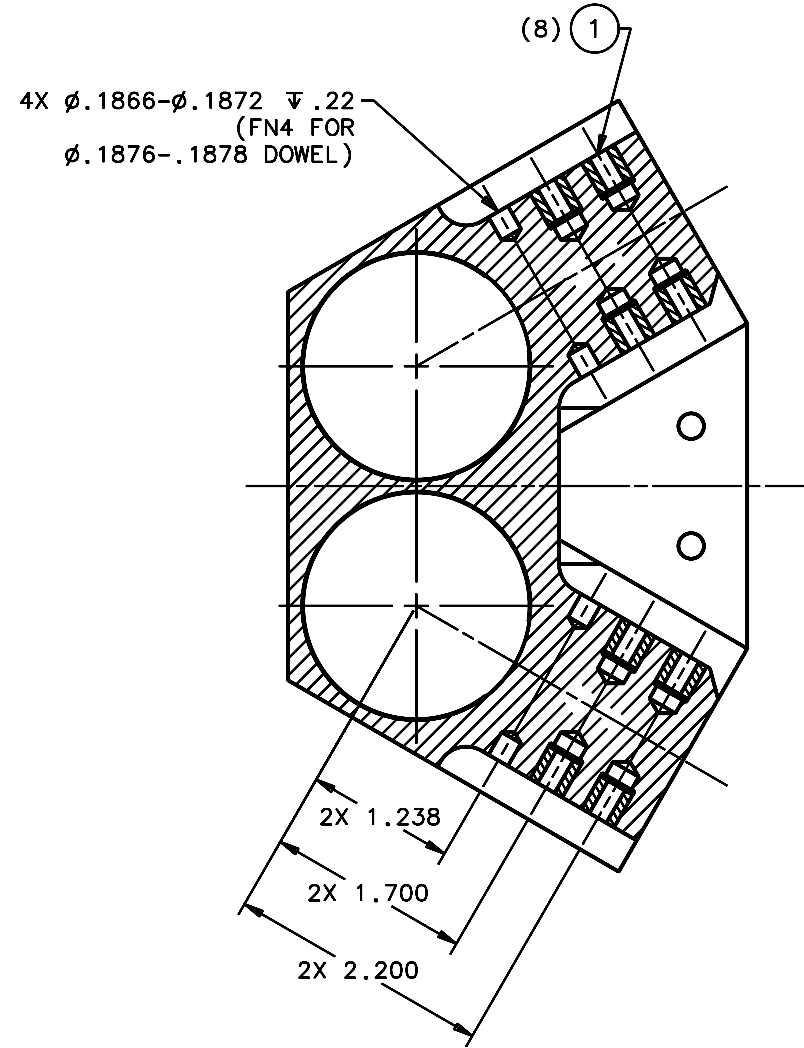
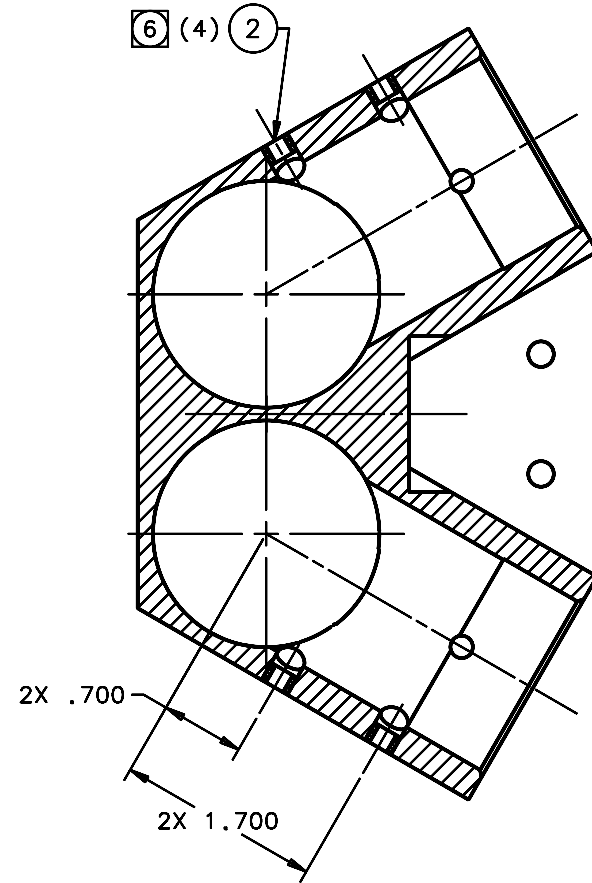


REVISIONS				
LTR	DESCRIPTION	DATE	REVISED BY	APPROVED
A	INITIAL RELEASE	10/19/05	R. NAGY	J. BECHTOLD
B	ADDED ITEM 3; ITEM 1 QTY WAS 21	11/15/05	R. NAGY	J. BECHTOLD



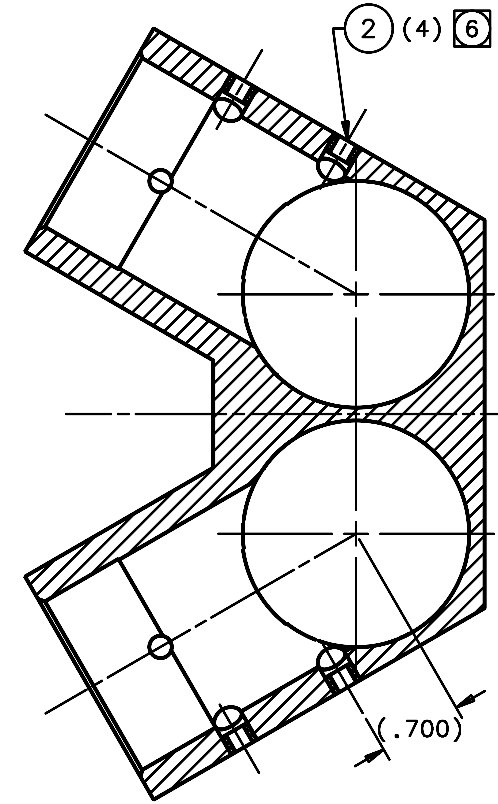
SECTION H-H

(SHT 3)
SCALE 1 1/4:1



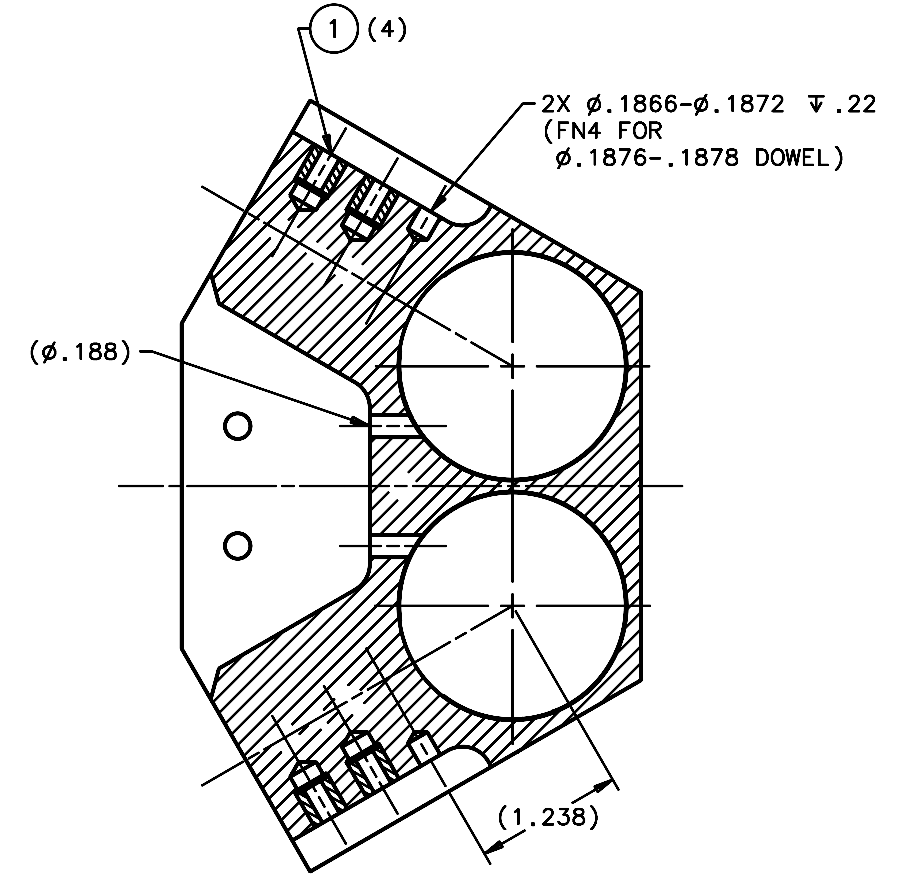
SECTION J-J

(SHT 3)
SCALE 1 1/4:1



SECTION K-K

(SHT 3)
SCALE 1 1/4:1
FEATURES & LOCATIONS
SAME AS SECTION J-J (THIS SHT)



SECTION L-L

(SHT 3)
SCALE 1 1/4:1
FEATURES & LOCATIONS
SAME AS SECTION H-H (THIS SHT)

DO NOT SCALE DRAWING INTERPRET DIMENSIONS AND TOLERANCES IN ACCORDANCE WITH ASME Y14.5M-94	THIS DRAWING CREATED IN:			Steward Observatory, University of Arizona 933 N. Cherry Avenue, Tucson, AZ 85721 (520)621-7659			
	ACAD <input type="checkbox"/>	MECH <input type="checkbox"/>	IDEAS <input checked="" type="checkbox"/>	DESIGNED BY: D. DEAN	DATE: 9/3/03	CATEGORY: MMT	
TOLERANCES UNLESS OTHERWISE SPECIFIED LINEAR ANGLAR .1 = .001 .2 = .002 .3 = .003 .4 = .004 .5 = .005 DIAMETRICAL SEE SPEC S-002				DRAWN BY: R. NAGY	10/2/03	PROJECT: MAESTRO	
				CHECKED BY: J. BECHTOLD	10/19/05	TITLE: TRUSS SPACE FRAME BASIC APEX FITTING W/O EAR	
MATERIAL -	16022 MMT-MAESTRO			APPROVED: R. WARNER	10/19/05	PLOT SIZE SCALE: D -	
	16021 MMT-MAESTRO			APPROVED:		DRAWING NUMBER: 13249	
FINISH ④	NEXT ASSY USED ON			APPROVED:		REVISION: B	
ASSEMBLY APPLICATION				CURRENT TIME/DATE/FILE LOCATION: DRAWING ARCHIVE LOCATION: http://dovinci.as.arizona.edu/ccad/default.html			