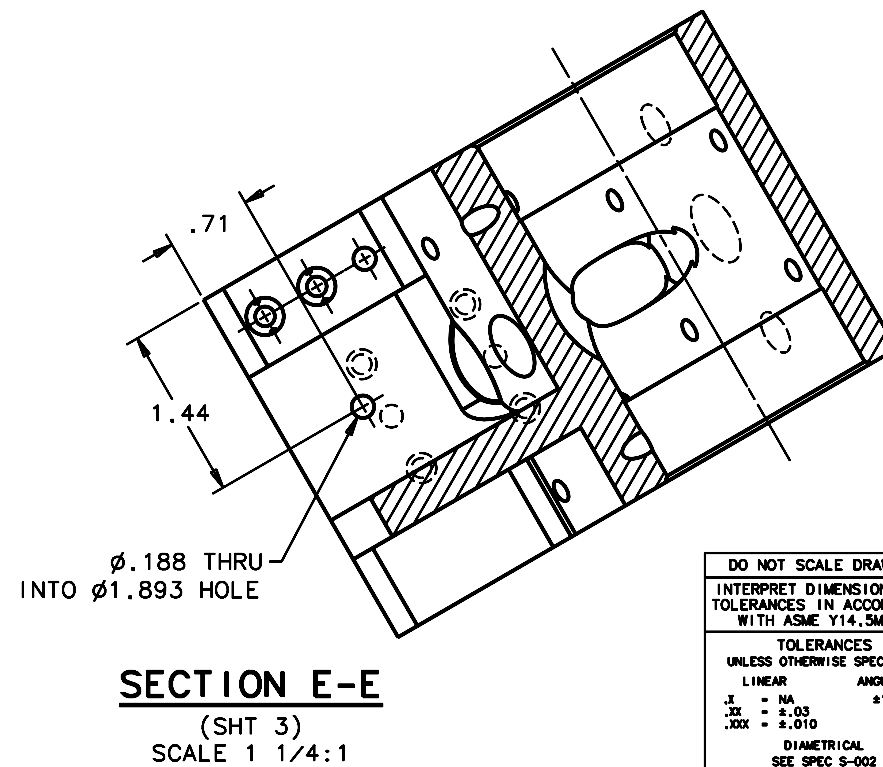
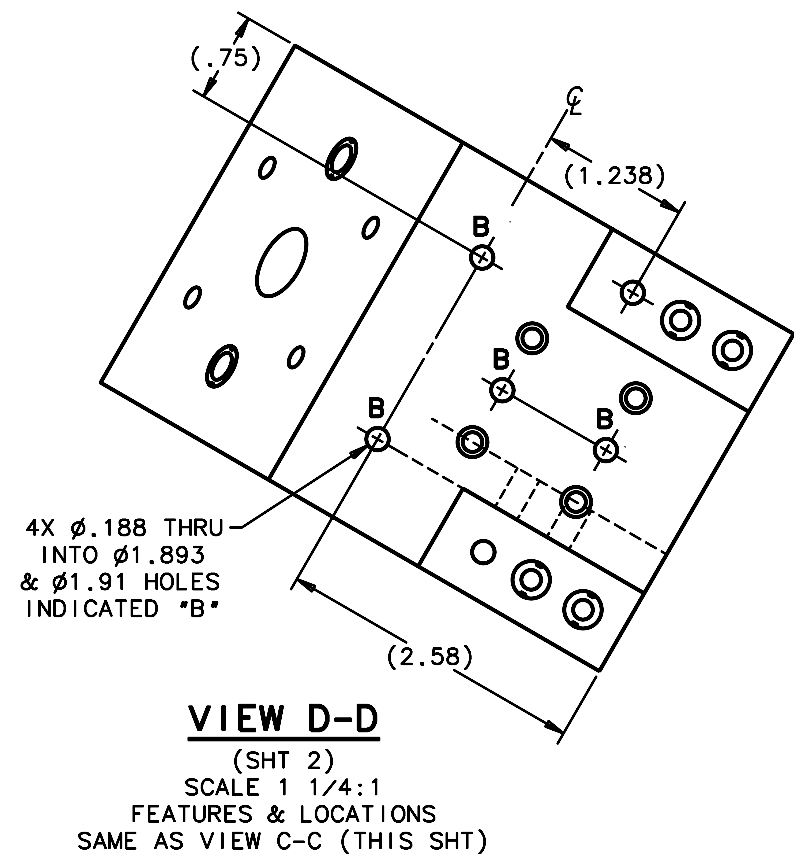
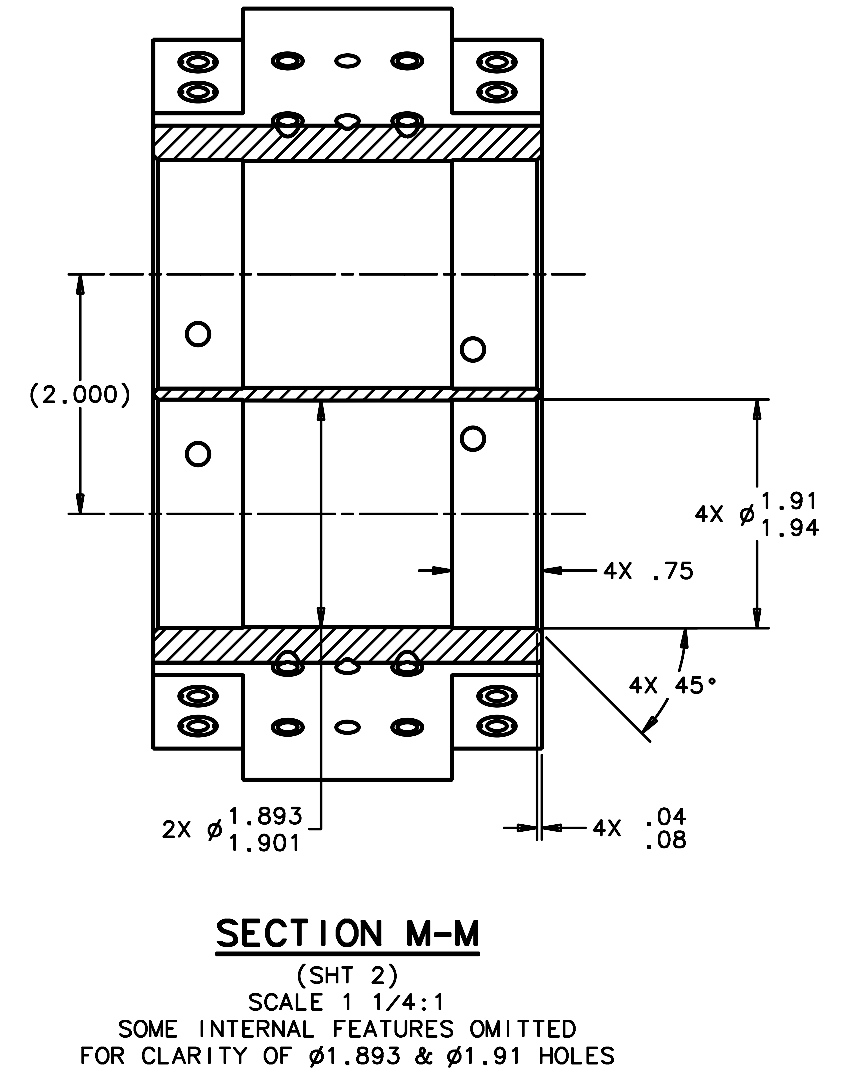
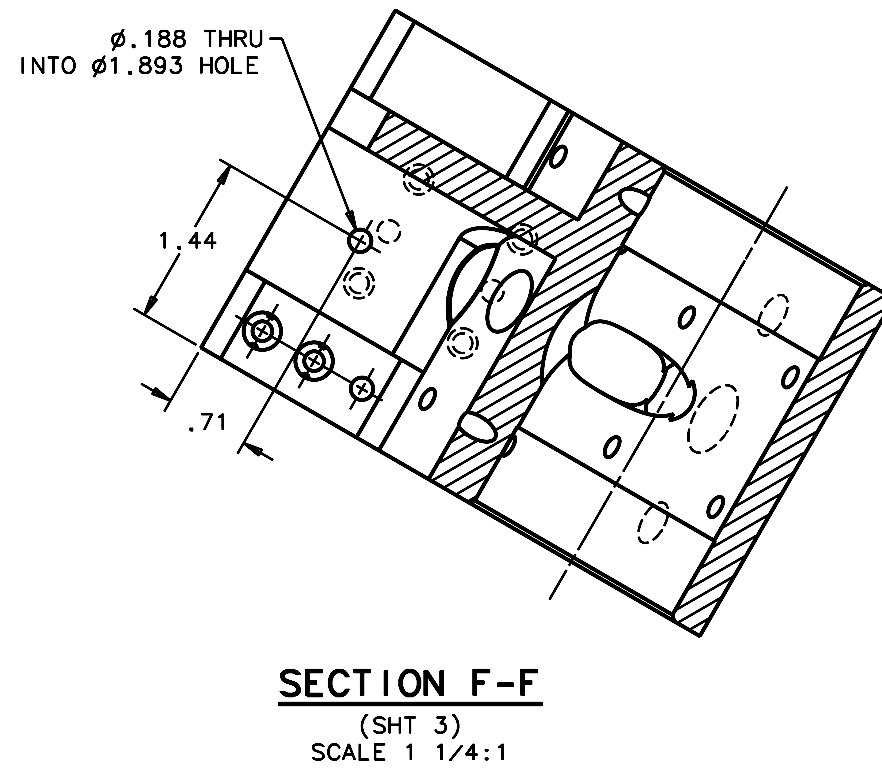
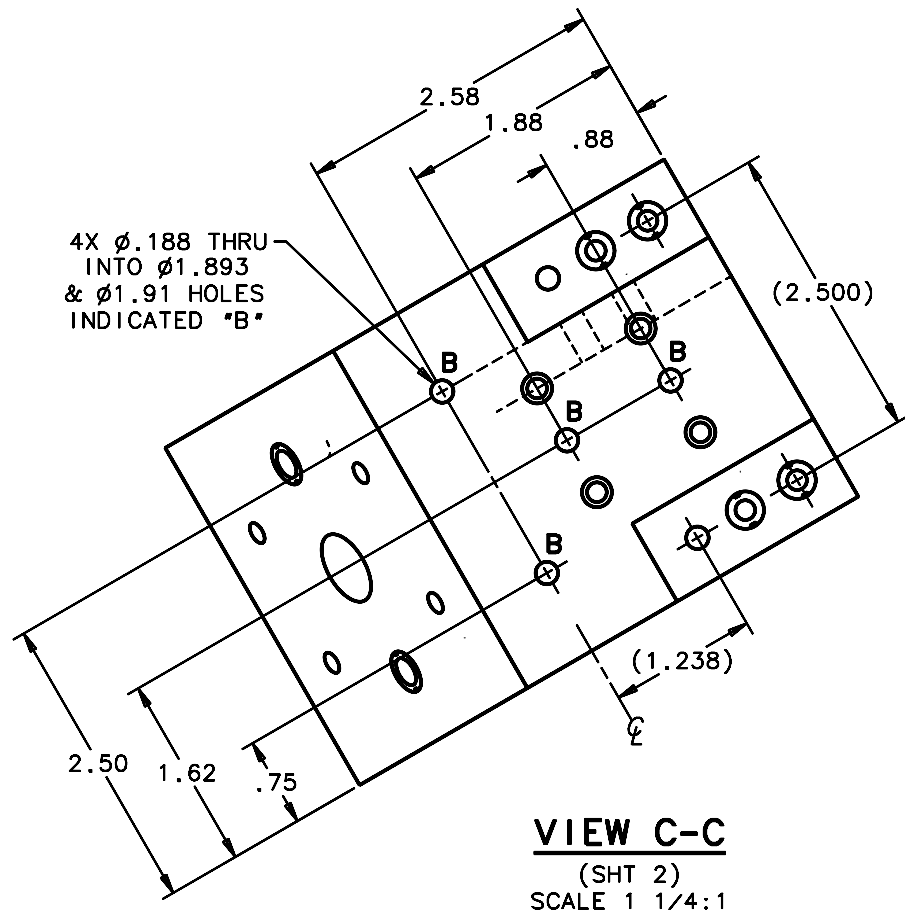


REVISIONS				
LTR	DESCRIPTION	DATE	REVISED BY	APPROVED
A	INITIAL RELEASE	10/19/05	R. NAGY	J. BECHTOLD
B	ADDED ITEM 3; ITEM 1 QTY WAS 21	11/15/05	R. NAGY	J. BECHTOLD



DO NOT SCALE DRAWING INTERPRET DIMENSIONS AND TOLERANCES IN ACCORDANCE WITH ASME Y14.5M-94		THIS DRAWING CREATED IN: ACAD <input type="checkbox"/> MECH <input type="checkbox"/> IDEAS <input checked="" type="checkbox"/>		Steward Observatory, University of Arizona 933 N. Cherry Avenue, Tucson, AZ 85721 (520)621-7659	
TOLERANCES UNLESS OTHERWISE SPECIFIED LINEAR .XX - ±.03 .XXX - ±.010 ANGULAR ±1° DIAMETRICAL SEE SPEC S-002		DESIGNED BY: D. DEAN	DATE: 9/3/03	CATEGORY: MMT	
MATERIAL -		DRAWN BY: R. NAGY	10/2/03	PROJECT: MAESTRO	
FINISH 4		CHECKED BY: J. BECHTOLD	10/19/05	TITLE: TRUSS SPACE FRAME BASIC APEX FITTING W/O EAR	
ASSEMBLY APPLICATION		APPROVED BY: J. BECHTOLD	10/19/05	PLOT SIZE SCALE: D -	
CURRENT TIME/DATE/FILE LOCATION:		APPROVED BY: R. WARNER	10/19/05	DRAWING NUMBER: 13249	
DRAWING ARCHIVE LOCATION: <a href="http://dovinci.as.arizona.edu/ccad/default.html">http://dovinci.as.arizona.edu/ccad/default.html</a>		REVISION: B		SHEET 4 OF 5	