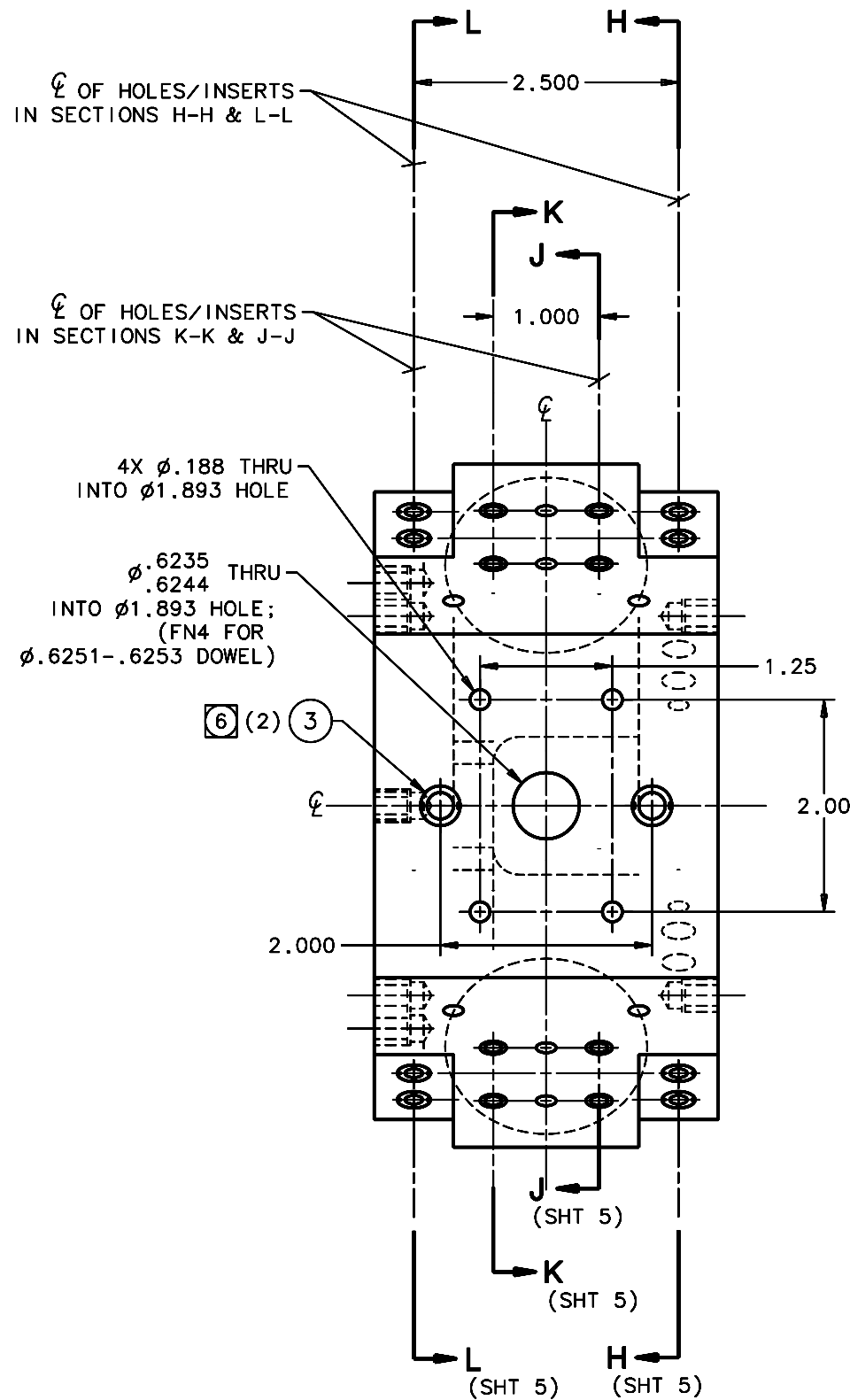
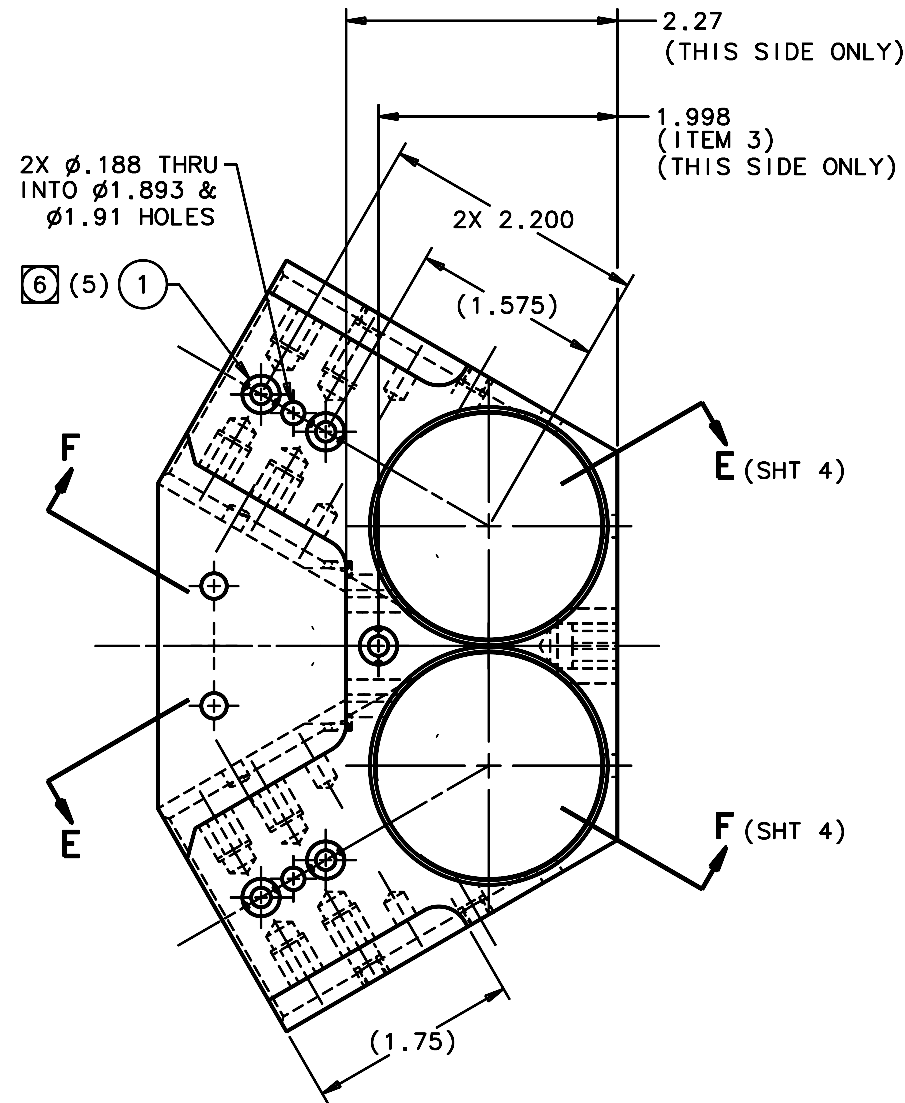


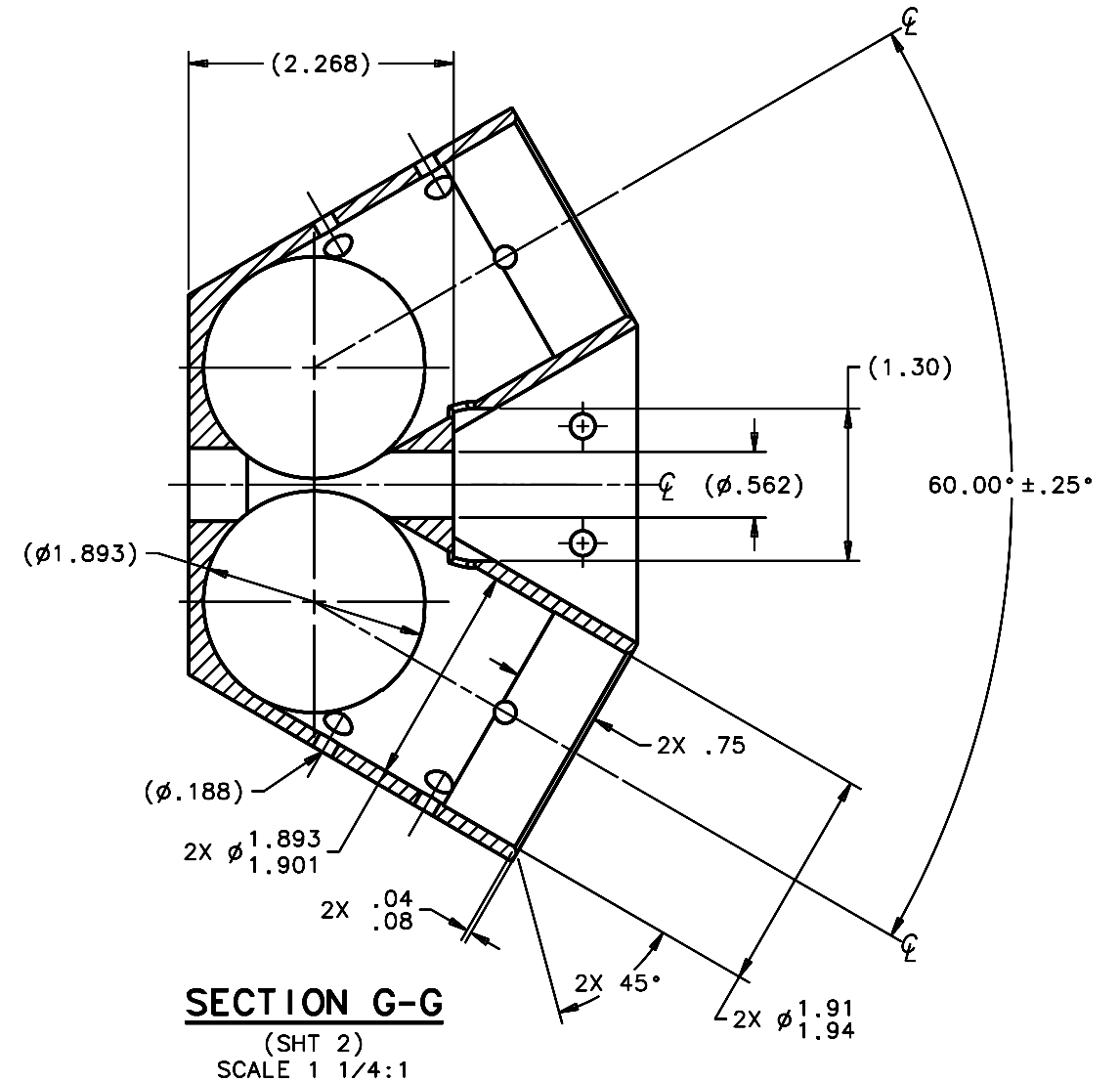
| REVISIONS |                                 |          |            |             |
|-----------|---------------------------------|----------|------------|-------------|
| LTR       | DESCRIPTION                     | DATE     | REVISED BY | APPROVED    |
| A         | INITIAL RELEASE                 | 10/19/05 | R. NAGY    | J. BECHTOLD |
| B         | ADDED ITEM 3; ITEM 1 QTY WAS 21 | 11/15/05 | R. NAGY    | J. BECHTOLD |



**VIEW B-B**  
(SHT 2)  
SCALE 1 1/4:1



**VIEW A-A**  
(SHT 2)  
SCALE 1 1/4:1  
FEATURES & LOCATIONS  
SAME AS OTHER SIDE VIEW (SHT 2)  
EXCEPT AS NOTED



**SECTION G-G**  
(SHT 2)  
SCALE 1 1/4:1

|   |   |  |   |  |
|---|---|--|---|--|
| DO NOT SCALE DRAWING  | THIS DRAWING CREATED IN:  | Steward Observatory, University of Arizona           |   |  |
| INTERPRET DIMENSIONS AND TOLERANCES IN ACCORDANCE WITH ASME Y14.5M-94     | ACAD <input type="checkbox"/> MECH <input type="checkbox"/> IDEAS <input checked="" type="checkbox"/> | 933 N. Cherry Avenue, Tucson, AZ 85721 (520)621-7659 |   |  |
| TOLERANCES UNLESS OTHERWISE SPECIFIED                                     | DESIGNED BY: D. DEAN  | DATE: 9/3/03   | CATEGORY: MMT                                       |  |
| LINEAR  | DRAWN BY: R. NAGY   | 10/2/03  | PROJECT: MAESTRO                                    |  |
| ANGULAR   | CHECKED BY: J. BECHTOLD   | 10/19/05   | TITLE: TRUSS SPACE FRAME BASIC APEX FITTING W/O EAR |  |
| .1 - .3 = .03   | APPROVED BY: J. BECHTOLD  | 10/19/05   |   |  |
| .3 - .6 = .010  | APPROVED BY: R. WARNER  | 10/19/05   |   |  |
| > .6 = .010   | APPROVED:   |  |   |  |
| DIAMETRICAL SEE SPEC S-002  | APPROVED:   |  |   |  |
| 16022 MMT-MAESTRO   | 16021 MMT-MAESTRO   | PLOT SIZE SCALE: D -                                 |   |  |
| MATERIAL  | NEXT ASSY USED ON   | DRAWING NUMBER: 13249                                |   |  |
| FINISH 4  | ASSEMBLY APPLICATION  | REVISION: B  |   |  |
| CURRENT TIME/DATE/FILE LOCATION:  |   | SHEET 3 OF 5   |   |  |
| DRAWING ARCHIVE LOCATION: http://dovinci.as.arizona.edu/ccad/default.html |   |  |   |  |