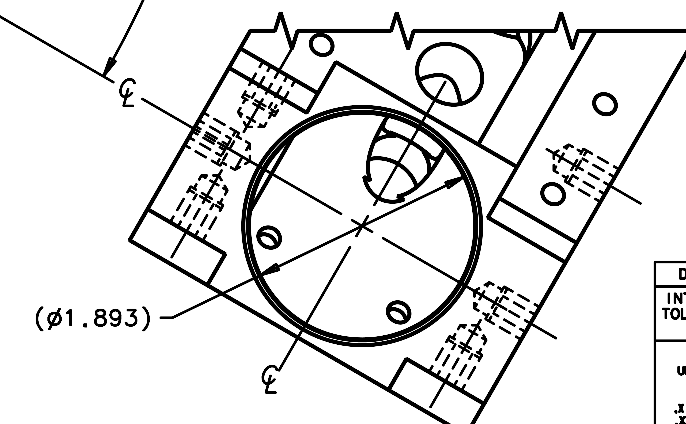
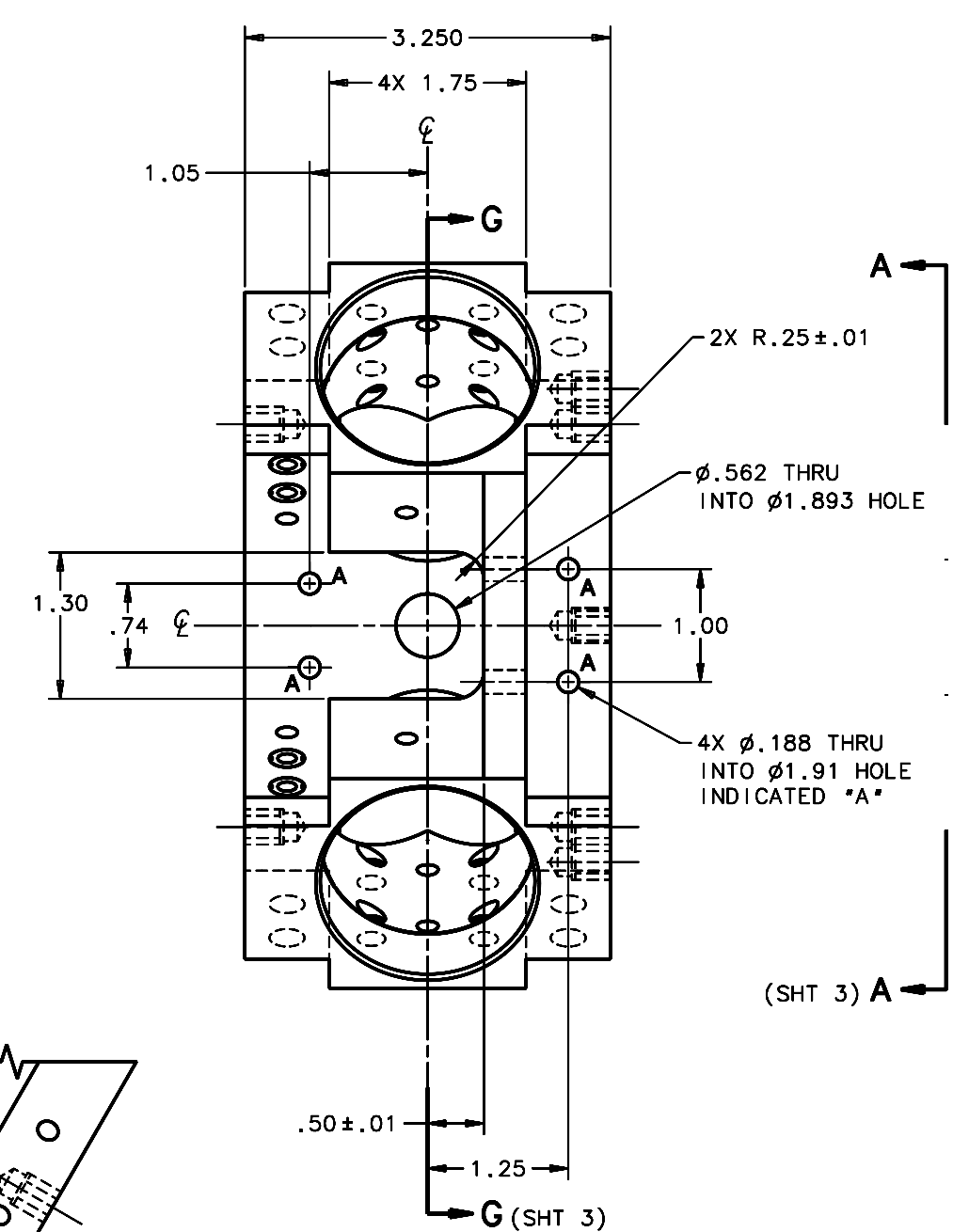
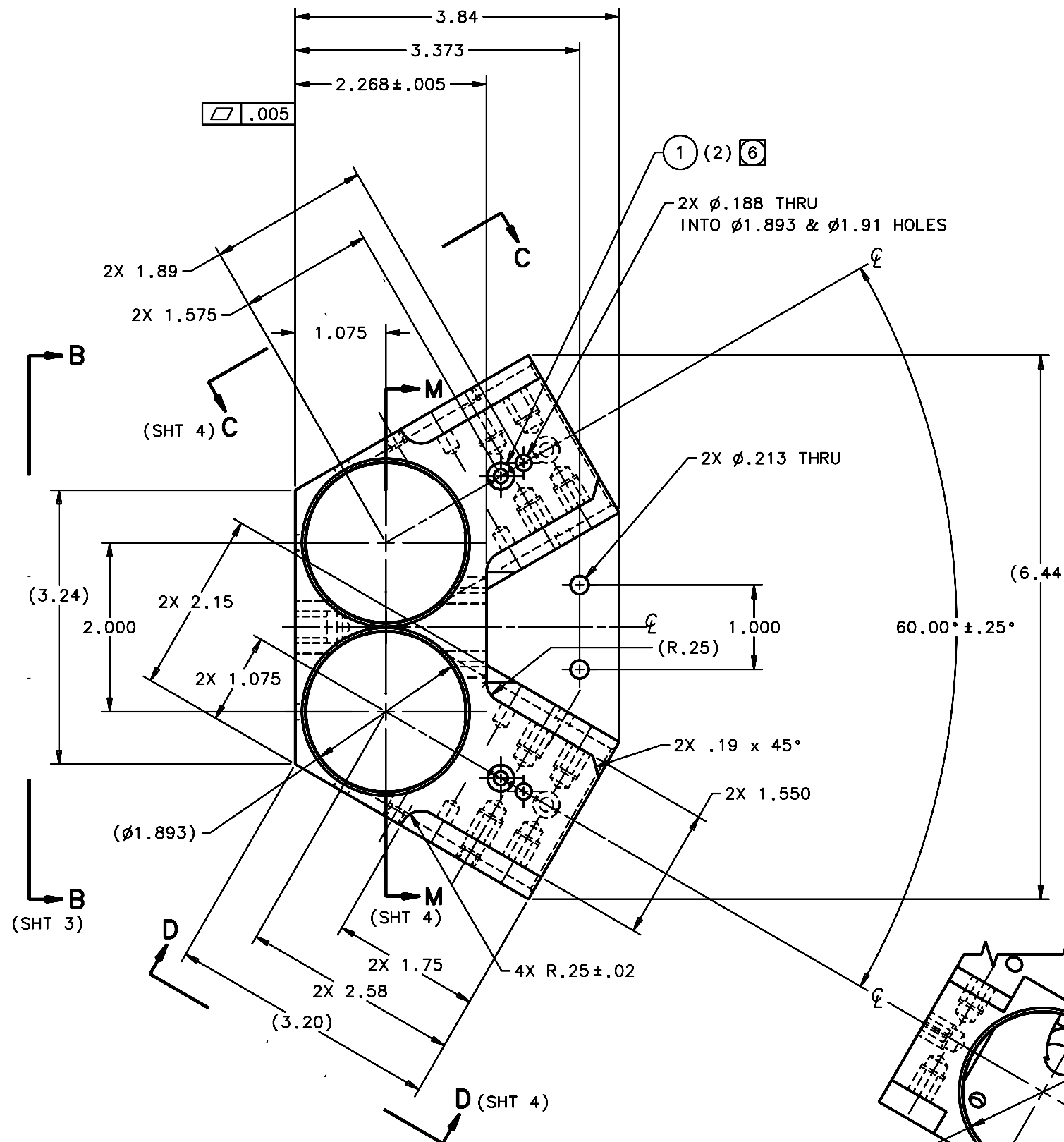


REVISIONS				
LTR	DESCRIPTION	DATE	REVISED BY	APPROVED
A	INITIAL RELEASE	10/19/05	R. NAGY	J. BECHTOLD
B	ADDED ITEM 3; ITEM 1 QTY WAS 21	11/15/05	R. NAGY	J. BECHTOLD



SCALE 1 1/4:1

DO NOT SCALE DRAWING INTERPRET DIMENSIONS AND TOLERANCES IN ACCORDANCE WITH ASME Y14.5M-94		THIS DRAWING CREATED IN: ACAD <input type="checkbox"/> MECH <input type="checkbox"/> IDEAS <input checked="" type="checkbox"/>		Steward Observatory, University of Arizona 933 N. Cherry Avenue, Tucson, AZ 85721 (520)621-7659		
TOLERANCES UNLESS OTHERWISE SPECIFIED LINEAR .XX = ±.03 .XXX = ±.010 ANGULAR .1° = ±1° DIAMETRICAL SEE SPEC S-002		DESIGNED BY: D. DEAN DATE: 9/3/03		CATEGORY: MMT		
MATERIAL		DRAWN BY: R. NAGY 10/2/03		PROJECT: MAESTRO		
FINISH 4		CHECKED BY: J. BECHTOLD 10/19/05		TITLE: TRUSS SPACE FRAME BASIC APEX FITTING W/O EAR		
NEXT ASSY USED ON		APPROVED BY: J. BECHTOLD 10/19/05		DRAWING NUMBER: 13249		
ASSEMBLY APPLICATION		APPROVED BY: R. WARNER 10/19/05		REVISION: B		
CURRENT TIME/DATE/FILE LOCATION:		DRAWING ARCHIVE LOCATION: <a href="http://devinci.as.arizona.edu/ccad/default.html">http://devinci.as.arizona.edu/ccad/default.html</a>		PLOT SIZE SCALE: D -		